

Electronic housing - ME 45 UTG RD - 2709477

Please be informed that the data shown in this PDF Document is generated from our Online Catalog. Please find the complete data in the user's documentation. Our General Terms of Use for Downloads are valid (<http://download.phoenixcontact.com>)



Lower part of housing closed, fully assembled, with metal foot catch.

Illustration shows fully mounted versions of the electronic housing, in green

Product Features

- Tool-free mounting
- Large assembly area
- Low design width with a high number of positions
- Recessed labeling areas
- Same PCB geometry for all design widths
- Inflammability class V0 according to UL 94
- Fast mounting on DIN rails according to EN 60715
- Material and part identification embossed on the housing (recyclability)
- Cost savings thanks to easy device production
- Metal foot catch
- Electronic components can be partially removed
- Functional earth ground contact (EMC) integrated in the housing base
- Optional BUS connection integrated in the housing, for either parallel or serial contacting

Key commercial data

package_quantity	10
GTIN	4017918879716

classifications

eCl@ss

eCl@ss 4.0	27180401
eCl@ss 4.1	27180401
eCl@ss 5.0	27180506
eCl@ss 5.1	27180506
eCl@ss 6.0	27180802
eCl@ss 7.0	27182702
eCl@ss 8.0	27182702

ETIM

ETIM 2.0	EC001031
-----------------	----------

Electronic housing - ME 45 UTG RD - 2709477

classifications

ETIM

ETIM 3.0	EC001031
ETIM 4.0	EC001031

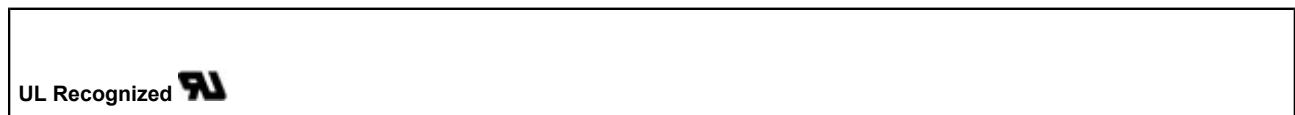
UNSPSC

UNSPSC 6.01	31261501
UNSPSC 7.0901	31261501
UNSPSC 11	31261501
UNSPSC 12.01	31261501
UNSPSC 13.2	31261501

approvals

UL Recognized /

Approval details



accessories

Coding element

CR-MSTB - 1734401



CP-MSTB - 1734634



Component housing center part

Electronic housing - ME 45 UTG RD - 2709477

accessories

ME 45 UTM GN - 2853404



ME 45 UTM G GN - 2853417



ME 45 UTM G GN - 2853417



Mounting material

ME-SAS - 2853899



ME LPZS - 2906911



Electronic housing - ME 45 UTG RD - 2709477

accessories

ME MF 17,5 - 2908281



ME LPZS - 2906911

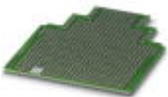


ME MF 17,5 - 2908281



PCB

ME LP - 2906908



Ground contact

ME FE-CONTACT - 2908294



Electronic housing - ME 45 UTG RD - 2709477

accessories

ME FE-CONTACT - 2908294



accessories

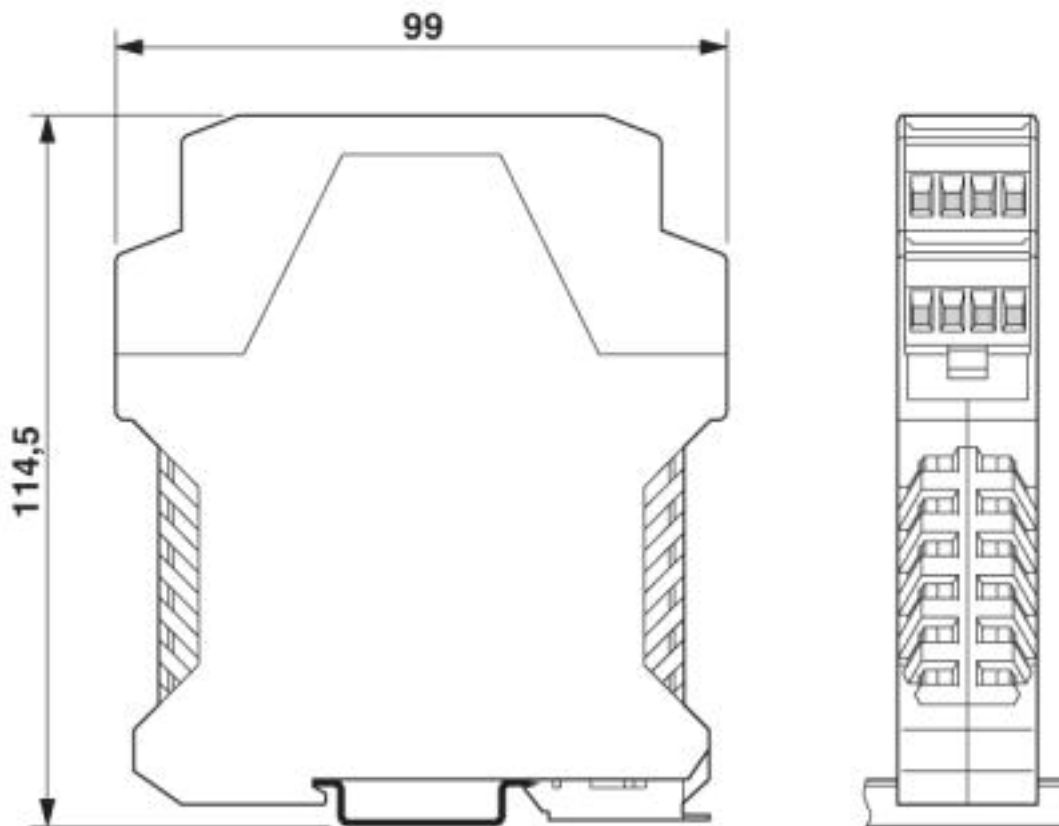
ME B-22,5 MSTBO RD - 2854542

ME B-22,5 MKDSO RD - 2909332

Drawings

Electronic housing - ME 45 UTG RD - 2709477

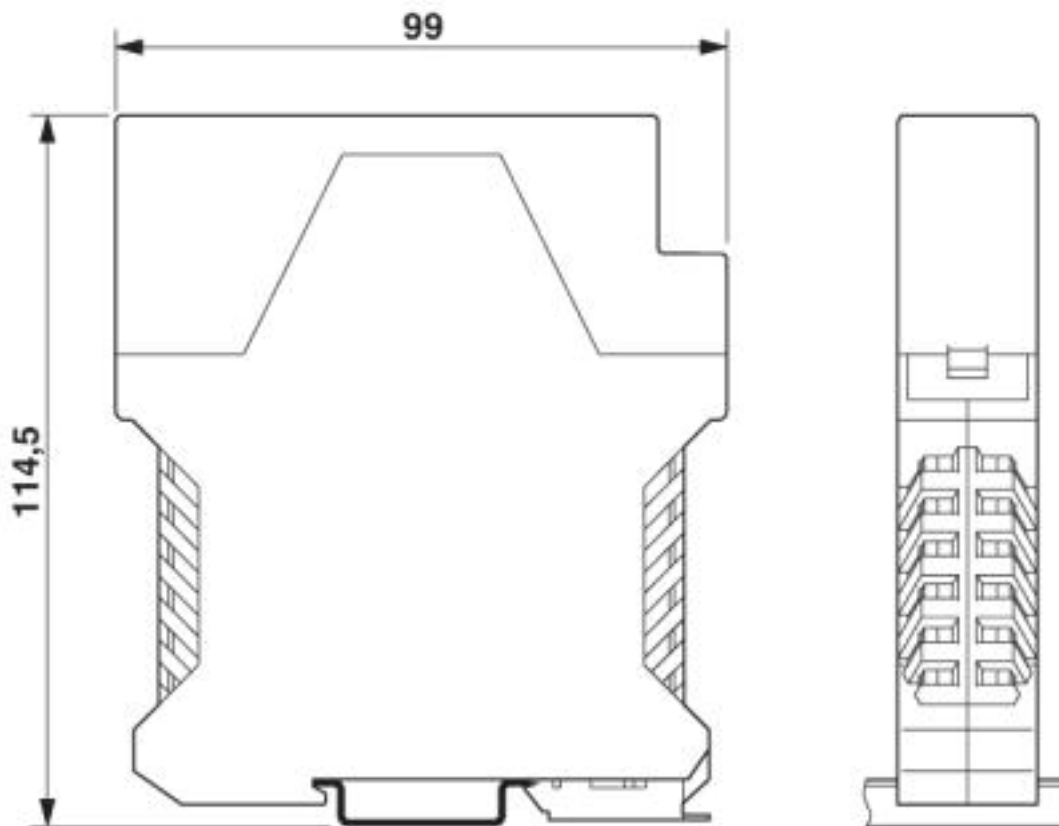
Dimensioned drawing



Dimensions of the electronic housing ME... with double-level upper part

Electronic housing - ME 45 UTG RD - 2709477

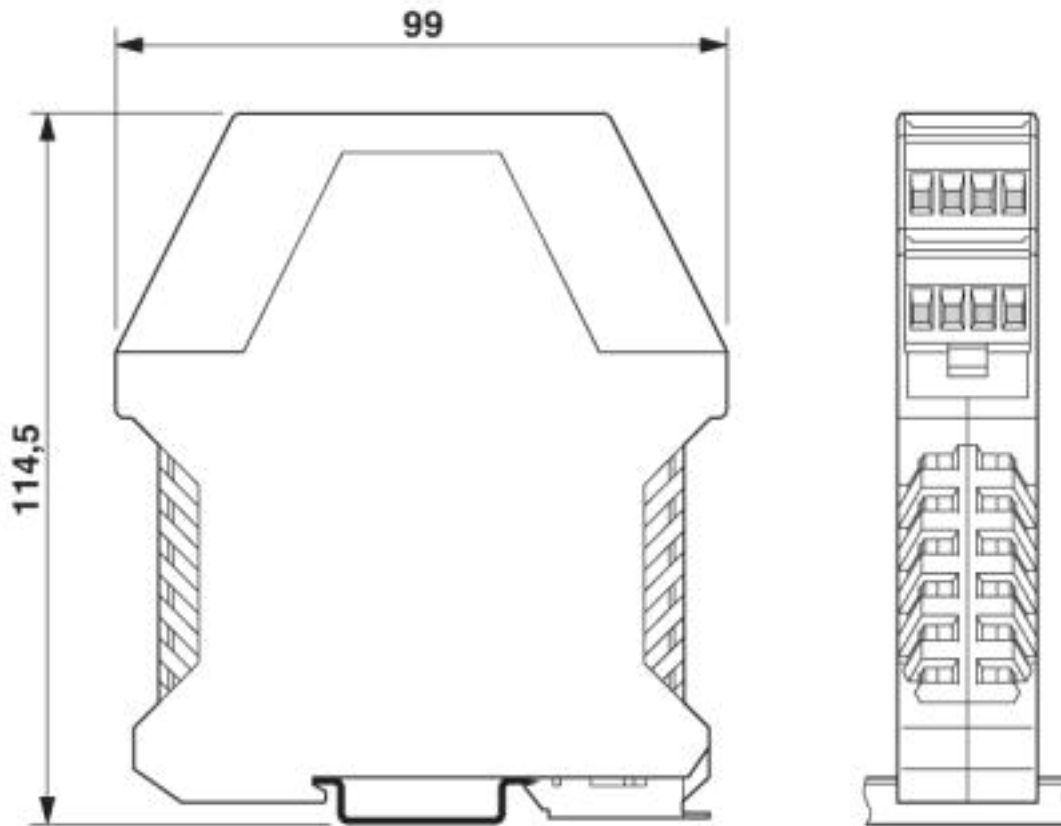
Dimensioned drawing



Dimensions of the electronic housing ME... with single-level upper part

Electronic housing - ME 45 UTG RD - 2709477

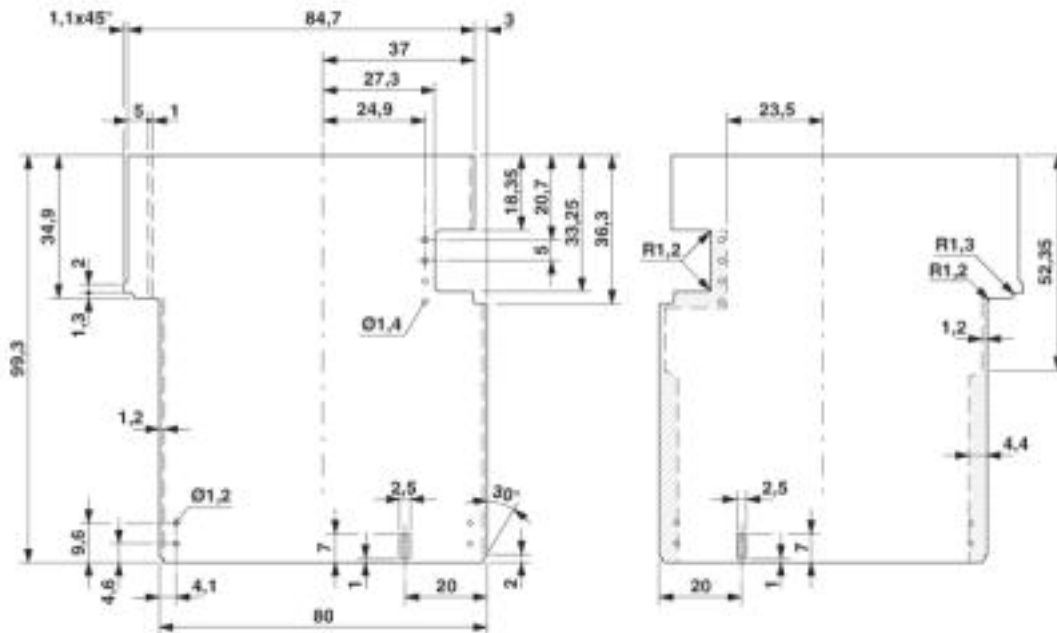
Dimensioned drawing



Dimensions of the electronic housing ME... with double-level upper part

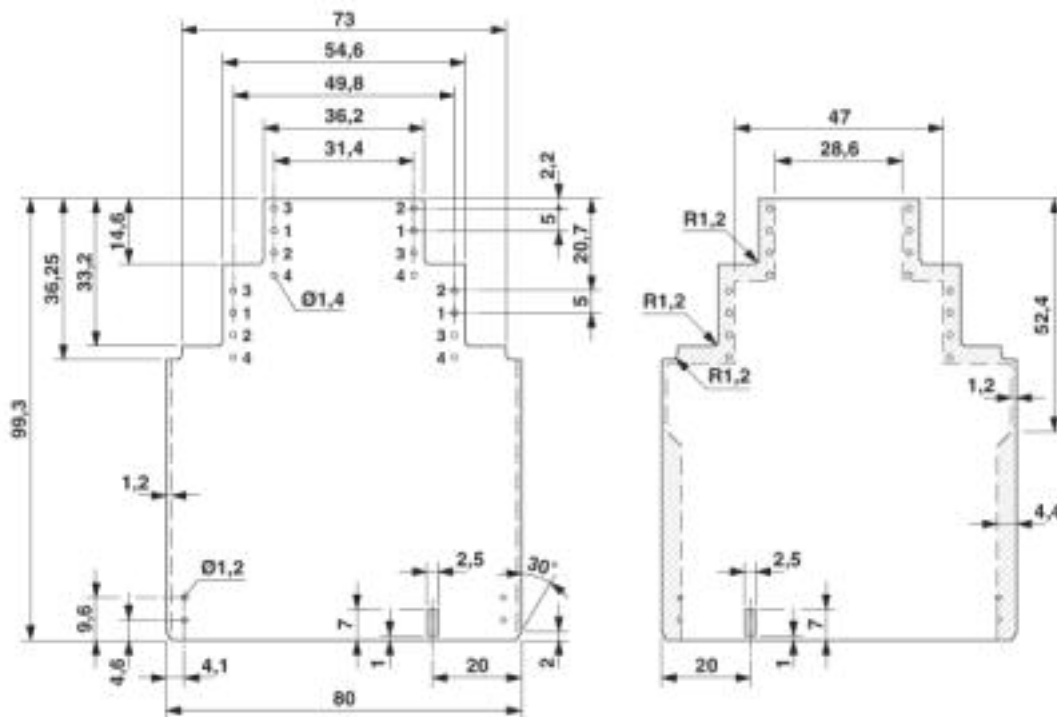
Electronic housing - ME 45 UTG RD - 2709477

Dimensioned drawing



Dimensional drawing of the ME... printed circuit board if the single level upper part is used

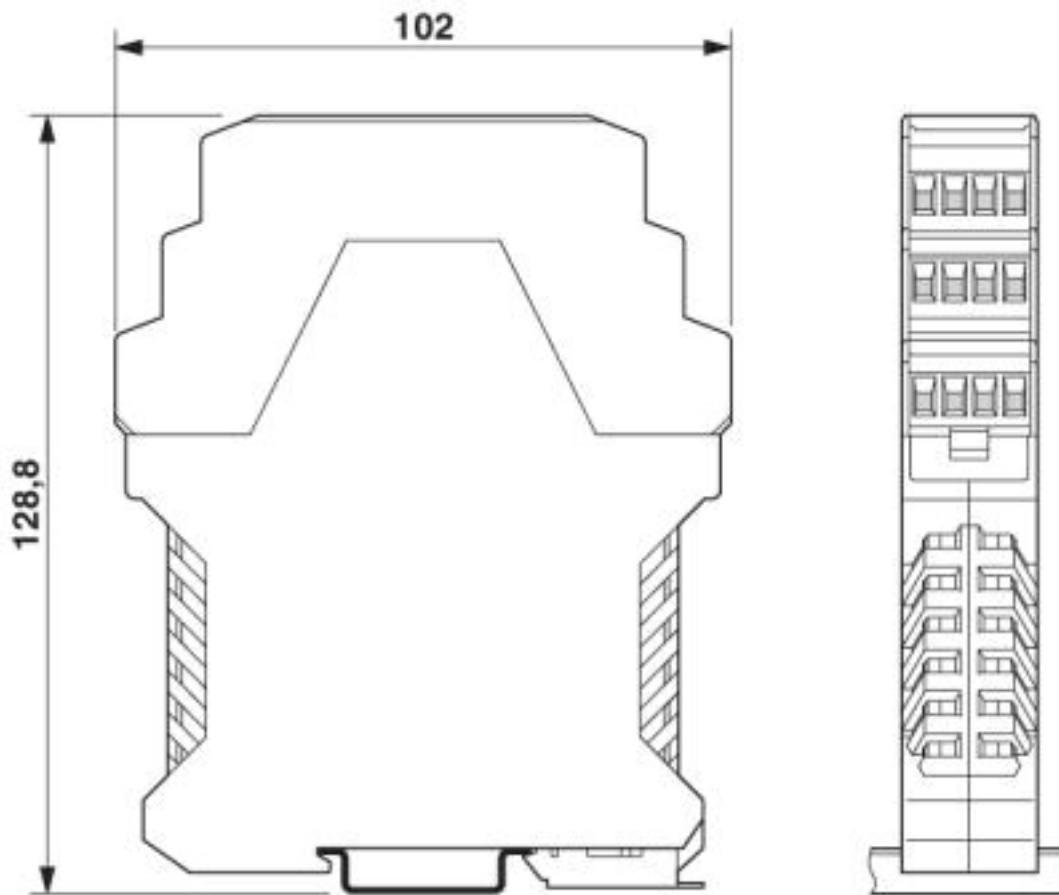
Dimensioned drawing



Dimensional drawing of the ME... printed circuit board if the double level upper part is used

Electronic housing - ME 45 UTG RD - 2709477

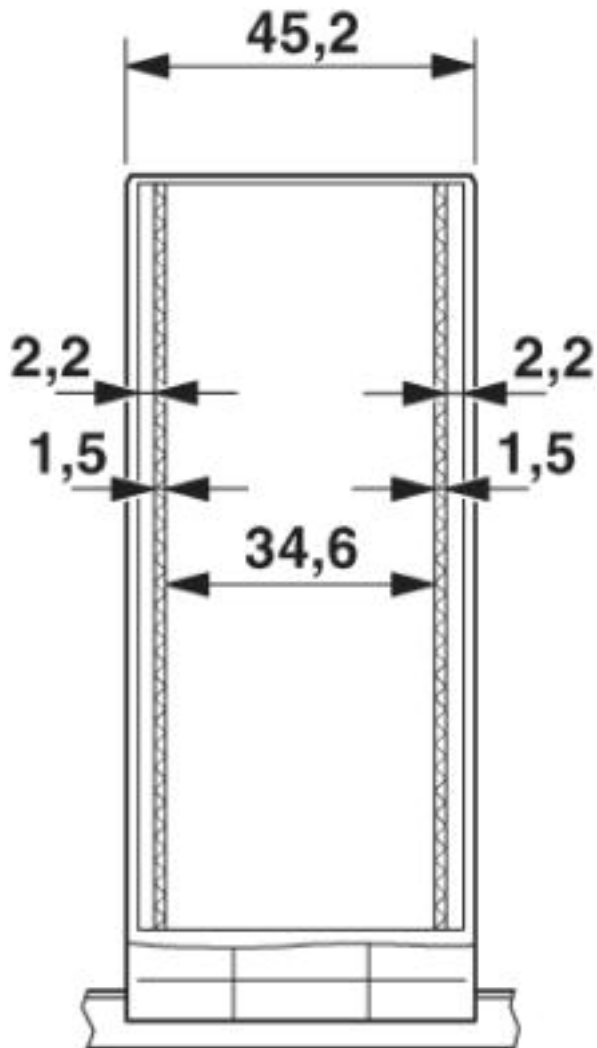
Dimensioned drawing



Dimensional drawing of the ME... printed circuit board if the triple-level upper part is used

Electronic housing - ME 45 UTG RD - 2709477

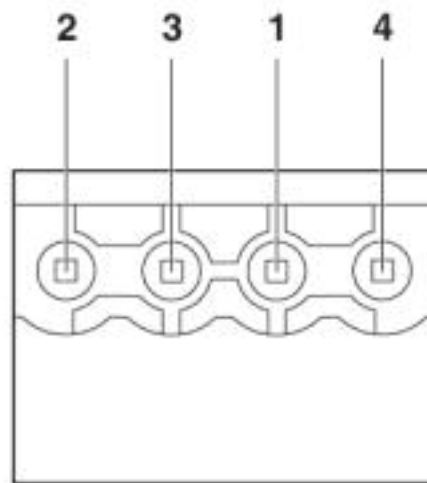
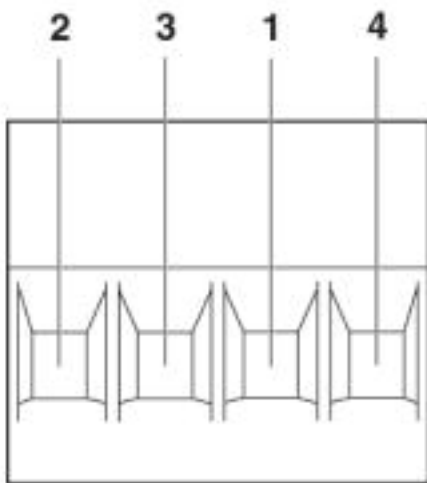
Dimensioned drawing



Inner housing dimensions, electronic housing ME 45 ...

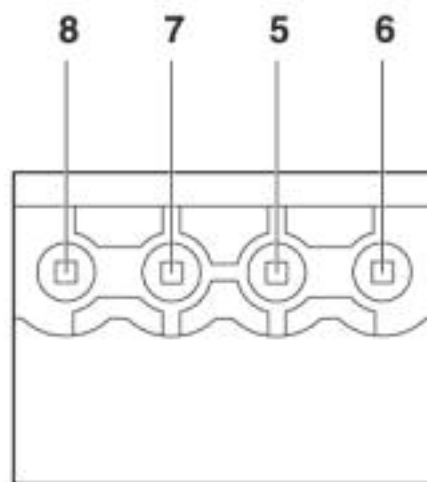
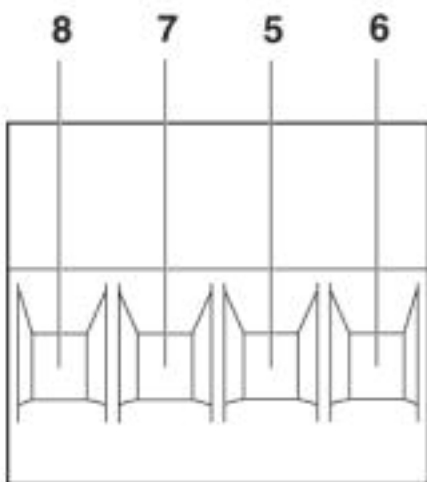
Electronic housing - ME 45 UTG RD - 2709477

Schematic diagram



Pin assignment left

Schematic diagram



Pin assignment right