

## Electronic housing - ME 22,5 UT KMGY - 2907732

Please be informed that the data shown in this PDF Document is generated from our Online Catalog. Please find the complete data in the user's documentation. Our General Terms of Use for Downloads are valid (<http://download.phoenixcontact.com>)



Lower part of housing, fully assembled, with metal foot catch.

Illustration shows fully mounted versions of the electronic housing, in green

### Product Features

- Tool-free mounting
- Low design width with a high number of positions
- Large assembly area
- Same PCB geometry for all design widths
- Recessed labeling areas
- Inflammability class V0 according to UL 94
- Fast mounting on DIN rails according to EN 60715
- Material and part identification embossed on the housing (recyclability)
- Cost savings thanks to easy device production
- Functional earth ground contact (EMC) integrated in the housing base
- Electronic components can be partially removed
- Metal foot catch
- Optional BUS connection integrated in the housing, for either parallel or serial contacting

### Key commercial data

<b>package_quantity</b>	50
<b>GTIN</b>	4017918246402

### Technical data

#### General

<b>Housing type</b>	Component housing
<b>Housing material</b>	Polyamide
<b>Color</b>	light gray

#### Ambient conditions

<b>Ambient temperature (operation)</b>	-40 °C ... 105 °C
--	-------------------

#### Dimensions

<b>Length</b>	99 mm
<b>Constructional height</b>	114.5 mm

# Electronic housing - ME 22,5 UT KMGY - 2907732

## Technical data

### Dimensions

<b>Width</b>	22.5 mm
--------------	---------

### Technical data

<b>Connection in acc. with standard</b>	CUL
<b>Nominal voltage U<sub>N</sub></b>	300 V
<b>Nominal current I<sub>N</sub></b>	10 A
<b>AWG/kcmil</b>	30-12
<b>Indicator1</b>	CUL1
<b>Inflammability class according to UL 94</b>	V0
<b>Number of positions</b>	16
<b>Number of positions</b>	4
<b>Number of positions</b>	24

## classifications

### eCl@ss

<b>eCl@ss 4.0</b>	27180401
<b>eCl@ss 4.1</b>	27180401
<b>eCl@ss 5.0</b>	27180506
<b>eCl@ss 5.1</b>	27180506
<b>eCl@ss 6.0</b>	27180802
<b>eCl@ss 7.0</b>	27182702
<b>eCl@ss 8.0</b>	27182702

### ETIM

<b>ETIM 2.0</b>	EC001031
<b>ETIM 3.0</b>	EC001031
<b>ETIM 4.0</b>	EC001031
<b>ETIM 5.0</b>	EC001031

### UNSPSC

<b>UNSPSC 6.01</b>	31261501
<b>UNSPSC 7.0901</b>	31261501
<b>UNSPSC 11</b>	31261501
<b>UNSPSC 12.01</b>	31261501
<b>UNSPSC 13.2</b>	31261501

## approvals

---

UL Recognized / cUL Recognized / cULus Recognized /

---

### Approval details

# Electronic housing - ME 22,5 UT KMGY - 2907732

## approvals

<b>UL Recognized</b>	
Nominal voltage UN	300 V
Nominal current IN	10 A
mm <sup>2</sup> /AWG/kcmil	30-12

<b>cUL Recognized</b>	
Nominal voltage UN	300 V
Nominal current IN	10 A
mm <sup>2</sup> /AWG/kcmil	30-12

<b>cULus Recognized</b>	
-------------------------	--

## accessories

### Coding element

CR-MSTB - 1734401



CP-MSTB - 1734634



### Component housing center part

## Electronic housing - ME 22,5 UT KMGY - 2907732

### accessories

ME 45 UTM GN - 2853404



ME 45 UTM G GN - 2853417



ME 45 UTM GN - 2853404



### Mounting material

ME-SAS - 2853899



ME LPZS - 2906911



## Electronic housing - ME 22,5 UT KMGY - 2907732

### accessories

ME MF 17,5 - 2908281



ME LPZS - 2906911

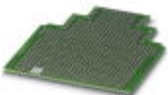


ME MF 17,5 - 2908281



### PCB

ME LP - 2906908



### Filler plug

ME B-22,5 MSTBO KMGY - 2907965



## Electronic housing - ME 22,5 UT KMGY - 2907732

### accessories

ME B-22,5 MKDSO KMGY - 2908498



---

### Ground contact

ME FE-CONTACT - 2908294



ME FE-CONTACT - 2908294



---

### Printed circuit board housing

MSTBO 2,5/ 4-G1L KMGY - 2907774



MSTBO 2,5/ 4-G1R KMGY - 2907787



# Electronic housing - ME 22,5 UT KMGY - 2907732

accessories

MSTBT 2,5/ 4-ST KMGY - 1878037

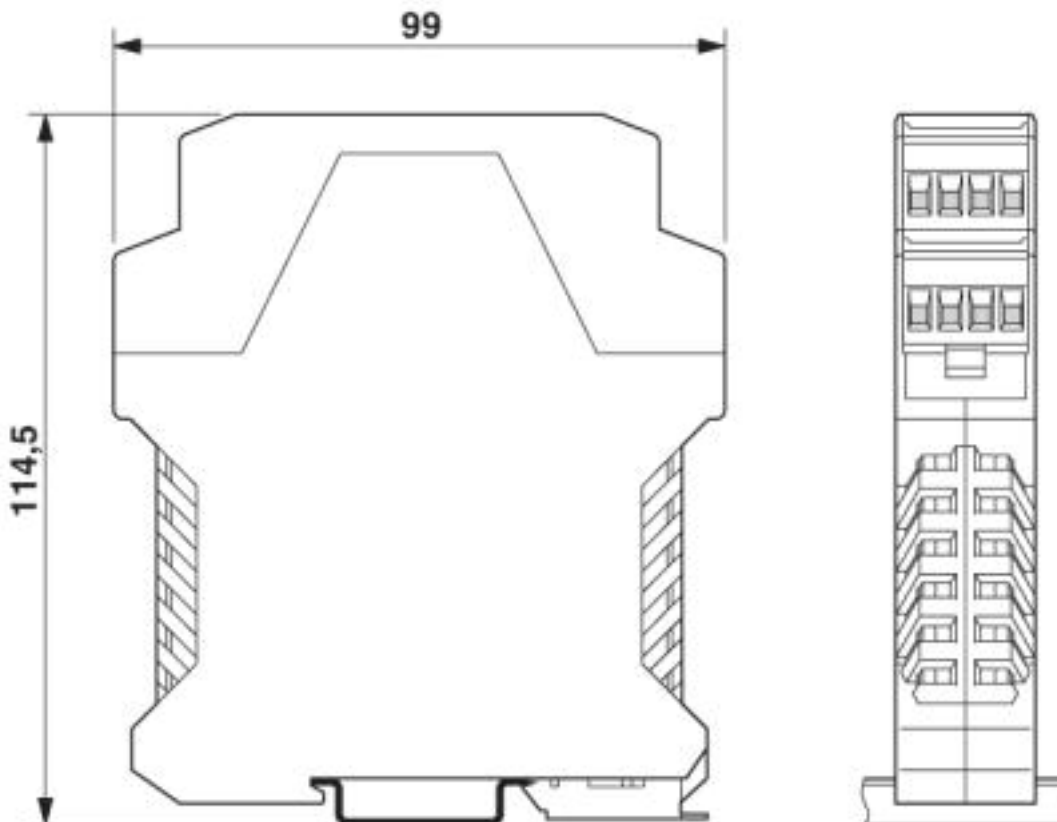


FKCT 2,5/ 4-ST KMGY - 1921900



## Drawings

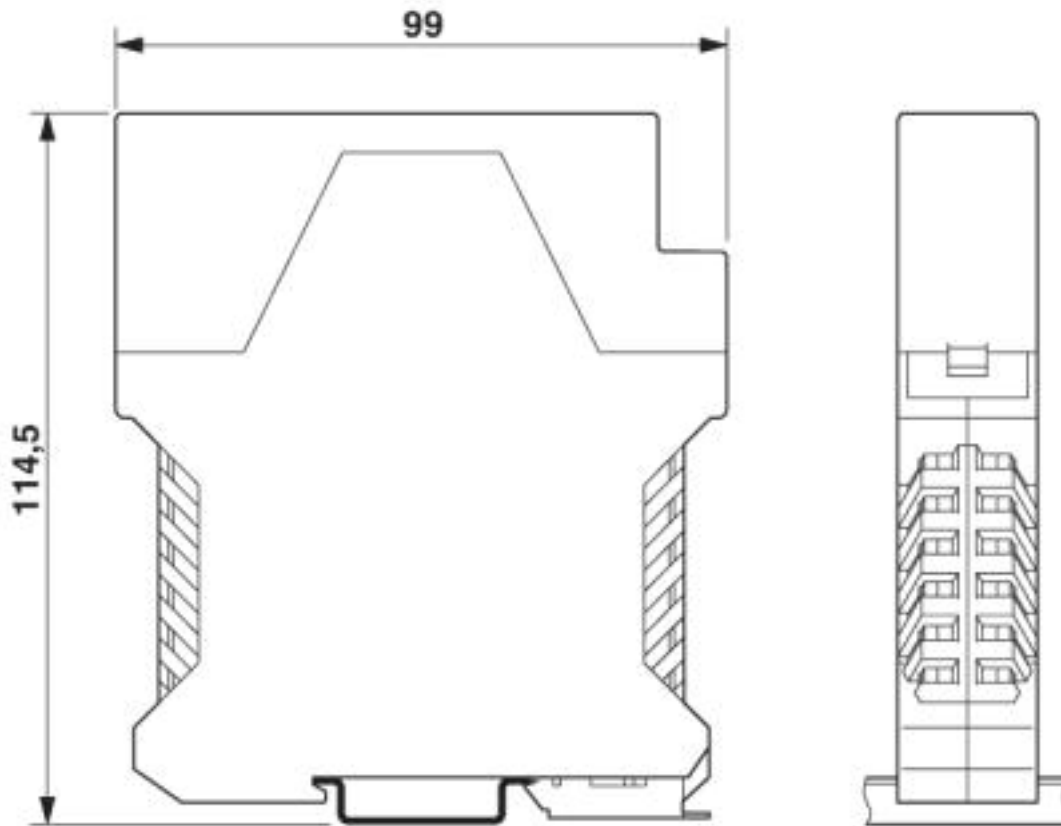
Dimensioned drawing



Dimensions of the electronic housing ME... with double-level upper part

# Electronic housing - ME 22,5 UT KMGY - 2907732

Dimensioned drawing

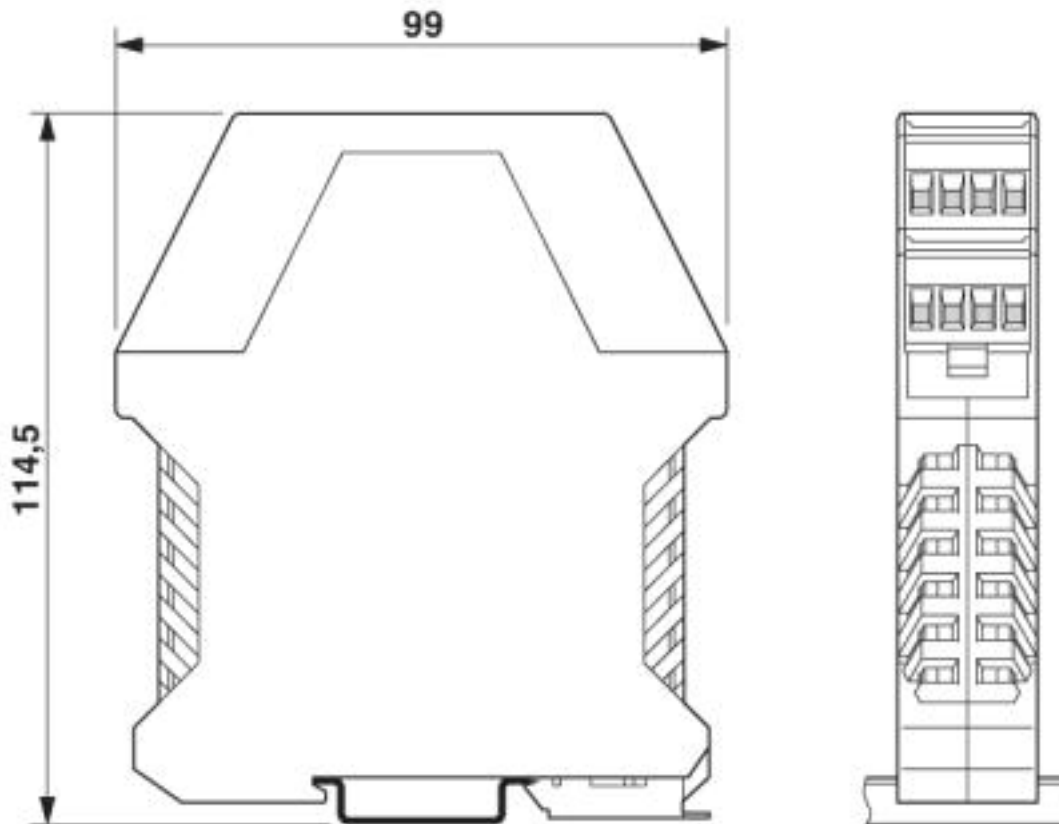


Dimensions of the electronic housing ME... with single-level upper part



# Electronic housing - ME 22,5 UT KMGY - 2907732

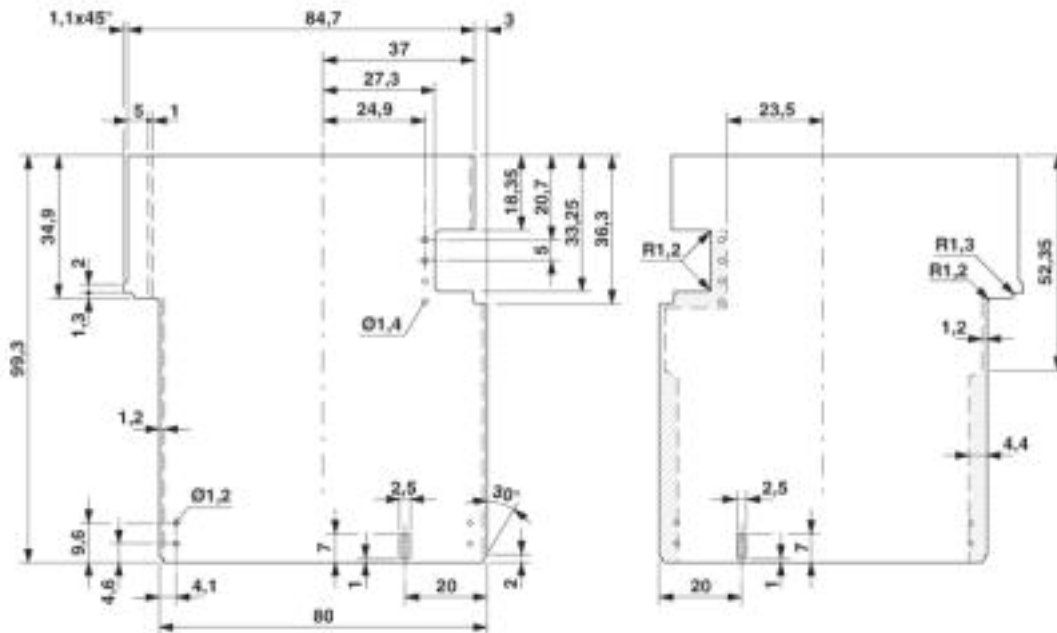
Dimensioned drawing



Dimensions of the electronic housing ME... with double-level upper part

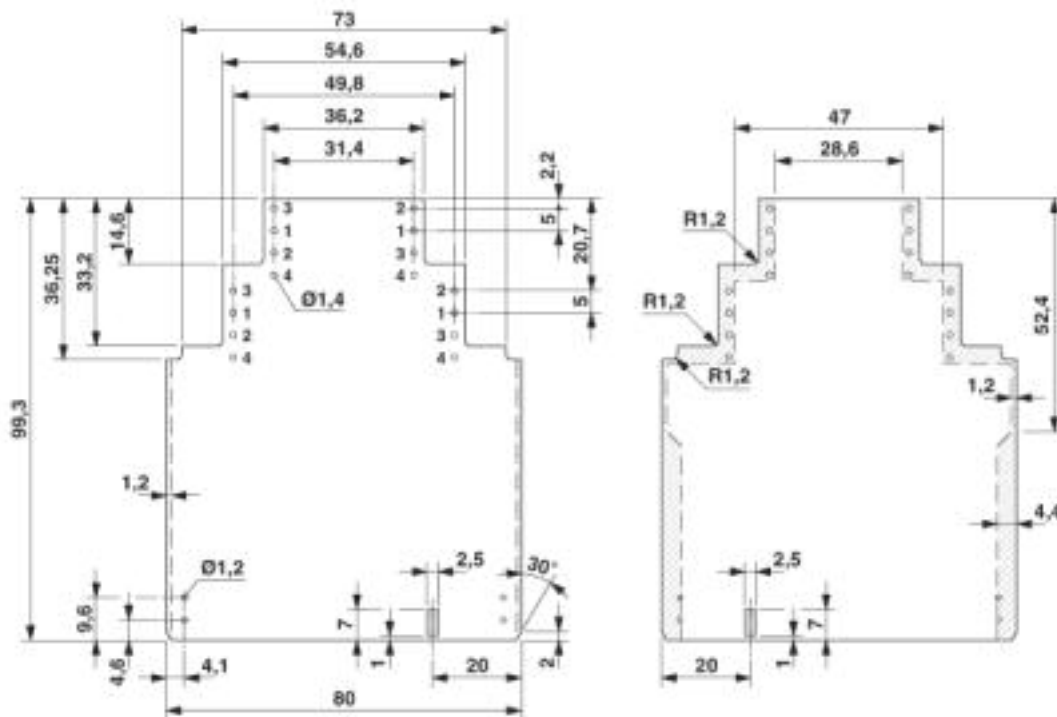
# Electronic housing - ME 22,5 UT KMGY - 2907732

Dimensioned drawing



Dimensional drawing of the ME... printed circuit board if the single level upper part is used

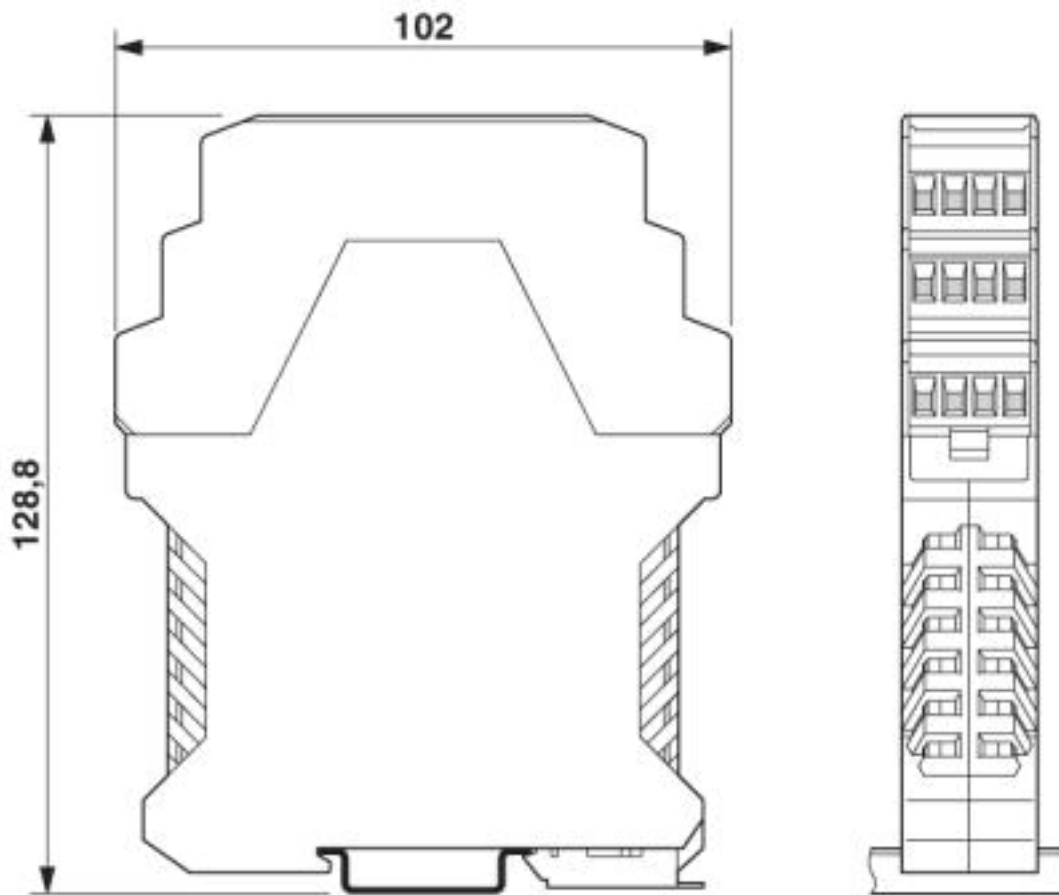
Dimensioned drawing



Dimensional drawing of the ME... printed circuit board if the double level upper part is used

# Electronic housing - ME 22,5 UT KMGY - 2907732

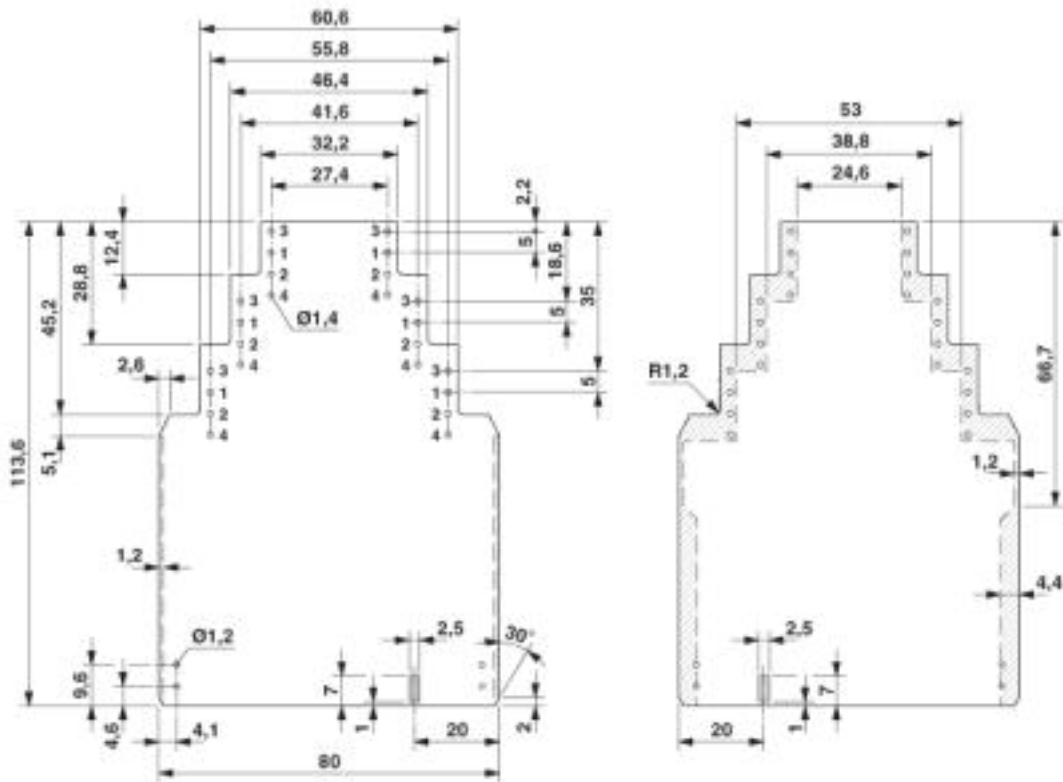
Dimensioned drawing



Dimensional drawing of the ME... printed circuit board if the triple-level upper part is used

# Electronic housing - ME 22,5 UT KMGY - 2907732

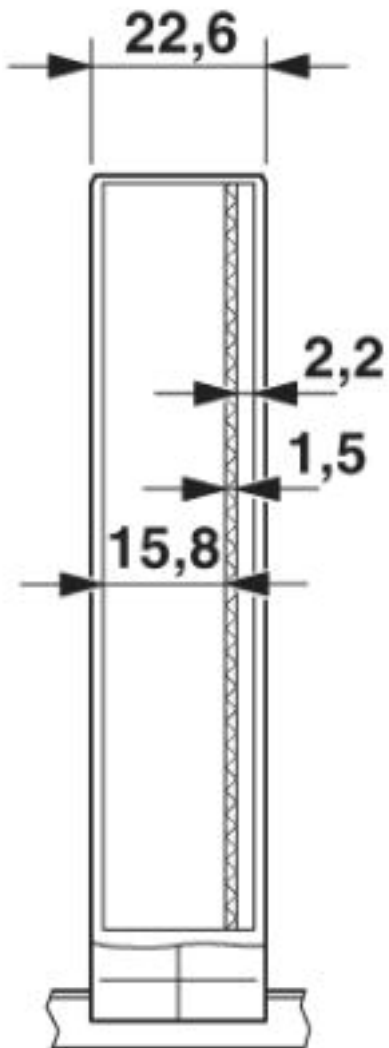
Dimensioned drawing



Dimensional drawing of the ME... printed circuit board if the triple-level upper part is used

## Electronic housing - ME 22,5 UT KMGY - 2907732

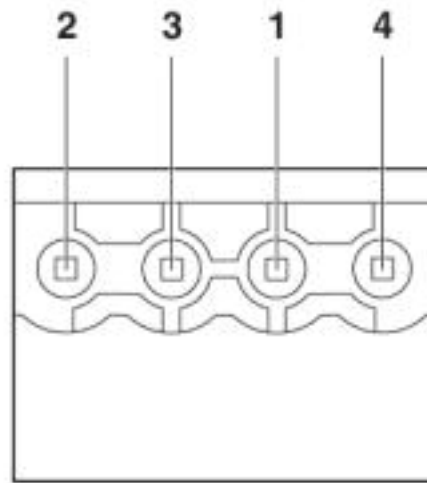
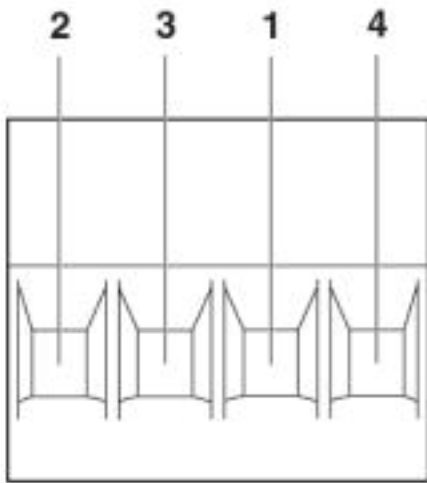
Dimensioned drawing



Inner housing dimensions, electronic housing ME 22.5 ...

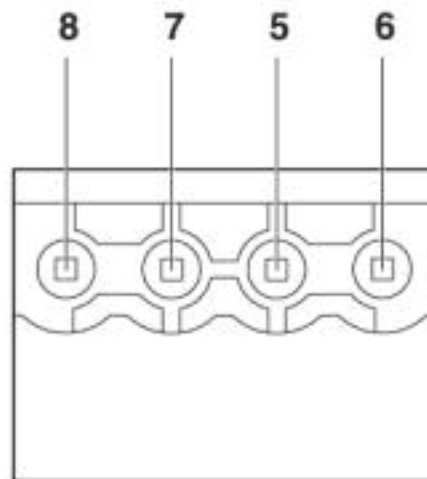
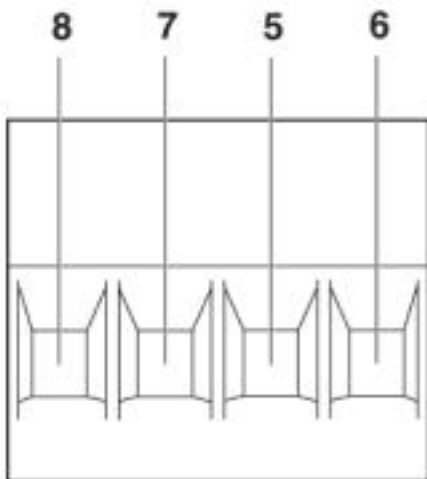
# Electronic housing - ME 22,5 UT KMGY - 2907732

Schematic diagram



Pin assignment left

Schematic diagram



Pin assignment right