

## Base element - CB 1/6-2/4 PT-BE - 2800929

Please be informed that the data shown in this PDF Document is generated from our Online Catalog. Please find the complete data in the user's documentation. Our General Terms of Use for Downloads are valid (<http://download.phoenixcontact.com>)



Base element with push-in connection technology for CB ... device circuit breakers

### Key commercial data

<b>package_quantity</b>	10
<b>GTIN</b>	4046356690638

### Technical data

#### General

<b>Inflammability class according to UL 94</b>	V0
<b>Mounting type</b>	DIN rail: 35 mm
<b>Color</b>	gray
<b>Surge voltage category</b>	III
<b>Insulating material group</b>	I
<b>Pollution degree</b>	3

#### Electrical data

<b>Nominal voltage <math>U_N</math></b>	300 V
<b>Rated surge voltage</b>	4 kV
<b>Rated insulation voltage <math>U_i</math></b>	250 V
<b>Insertion/withdrawal cycles</b>	100

#### Dimensions

<b>Height</b>	90 mm
<b>Width</b>	12.3 mm
<b>Depth</b>	46.7 mm

#### Ambient conditions

<b>Ambient temperature (operation)</b>	-30 °C ... 60 °C
<b>Ambient temperature (storage/transport)</b>	-40 °C ... 120 °C
<b>Degree of protection</b>	IP30 (Actuation area)

#### Standards and Regulations

<b>Standards/specifications</b>	IEC 60947-7-1
---------------------------------	---------------

#### Connection data

## Base element - CB 1/6-2/4 PT-BE - 2800929

### Technical data

#### Connection data

Connection name	Connection 1
Connection method	Push-in connection
Stripping length	12 mm
Conductor cross section stranded min.	0.5 mm <sup>2</sup>
Conductor cross section stranded max.	6 mm <sup>2</sup>
Conductor cross section solid min.	0.5 mm <sup>2</sup>
Conductor cross section solid max.	6 mm <sup>2</sup>
Conductor cross section AWG/kcmil min.	20
Conductor cross section AWG/kcmil max	10
Connection name	Connection 2.1/2.2
Connection method	Push-in connection
Stripping length	12 mm
Conductor cross section stranded min.	0.2 mm <sup>2</sup>
Conductor cross section stranded max.	4 mm <sup>2</sup>
Conductor cross section solid min.	0.2 mm <sup>2</sup>
Conductor cross section solid max.	6 mm <sup>2</sup>
Conductor cross section AWG/kcmil min.	24
Conductor cross section AWG/kcmil max	10
Connection name	Connection 12/11/14
Connection method	Push-in connection
Stripping length	8 mm
Conductor cross section stranded min.	0.14 mm <sup>2</sup>
Conductor cross section stranded max.	1.5 mm <sup>2</sup>
Conductor cross section solid min.	0.14 mm <sup>2</sup>
Conductor cross section solid max.	1.5 mm <sup>2</sup>
Conductor cross section AWG/kcmil min.	26
Conductor cross section AWG/kcmil max	16

### classifications

#### eCl@ss

eCl@ss 4.0	27141116
eCl@ss 4.1	27141116
eCl@ss 5.0	27141116
eCl@ss 5.1	27141116
eCl@ss 6.0	27141116
eCl@ss 7.0	27141116
eCl@ss 8.0	27141116

#### ETIM

ETIM 3.0	EC000899
ETIM 4.0	EC000899

# Base element - CB 1/6-2/4 PT-BE - 2800929

## classifications

### ETIM

<b>ETIM 5.0</b>	EC000899
-----------------	----------

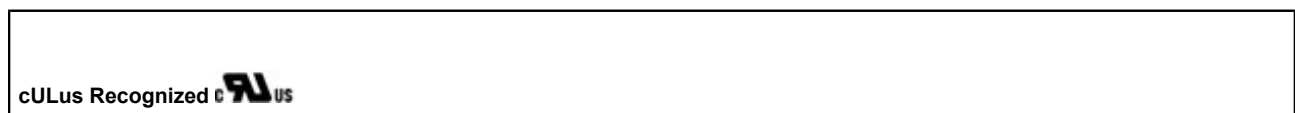
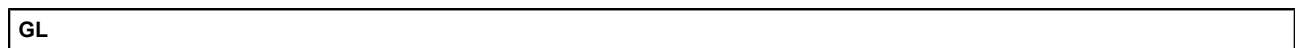
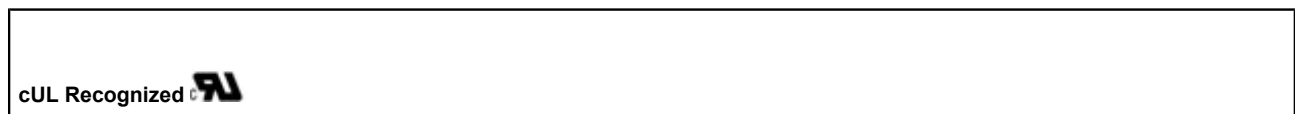
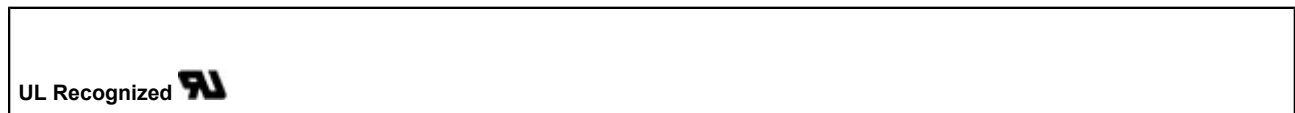
### UNSPSC

<b>UNSPSC 6.01</b>	30211812
<b>UNSPSC 7.0901</b>	39121411
<b>UNSPSC 11</b>	39121411
<b>UNSPSC 12.01</b>	39121411
<b>UNSPSC 13.2</b>	39121411

## approvals

UL Recognized / cUL Recognized / GL / cULus Recognized /

### Approval details



## accessories

### Bridge

FBS 2-6 - 3030336



## Base element - CB 1/6-2/4 PT-BE - 2800929

### accessories

FBS 3-6 - 3030242



FBS 4-6 - 3030255



FBS 5-6 - 3030349



FBS 10-6 - 3030271



FBS 20-6 - 3030365



FBS 50-6 - 3032224



## Base element - CB 1/6-2/4 PT-BE - 2800929

accessories

---

### Coding element

PC - 3040588



### Cutting tools

CUTFOX-FBS - 1212124



### Crimping tool

CRIMPFOX 10S - 1212045



### Terminal marking

ZBF 12:UNBEDRUCKT - 0809735



## Base element - CB 1/6-2/4 PT-BE - 2800929

accessories

UC-TMF 12 - 0819233



UCT-TMF 12 - 0829214



**Labeled terminal marker**

ZBF 12 CUS - 0825018



UC-TMF 12 CUS - 0824670



UCT-TMF 12 CUS - 0829686



## Base element - CB 1/6-2/4 PT-BE - 2800929

accessories

-

---

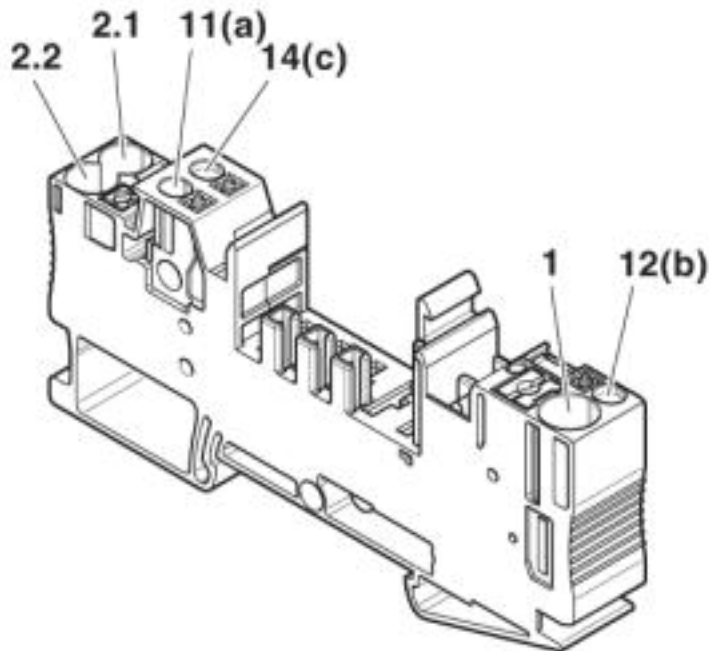
-

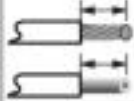



---

Drawings

# Base element - CB 1/6-2/4 PT-BE - 2800929

Connection diagram



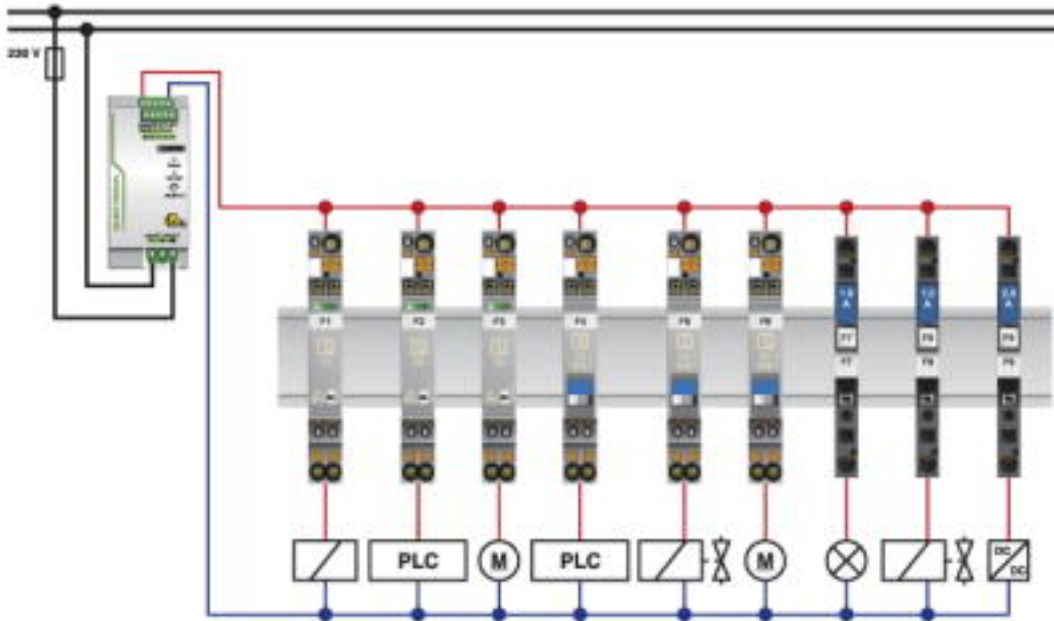
				
1	12 mm	0.5 - 6 mm <sup>2</sup> AWG 20-10		
2.1 / 2.2		0.25 - 6 mm <sup>2</sup> AWG 24-10	0.2 - 4 mm <sup>2</sup> AWG 24-12	
11(a)/12 (b) 14 (c)	8 mm	0.14 - 1.5 mm <sup>2</sup> AWG 26-16	0.14 - 1 mm <sup>2</sup> AWG 26-18	0.14 - 1.5 mm <sup>2</sup> AWG 26-16

Connection of the cables



# Base element - CB 1/6-2/4 PT-BE - 2800929

Application drawing



Dimensioned drawing

