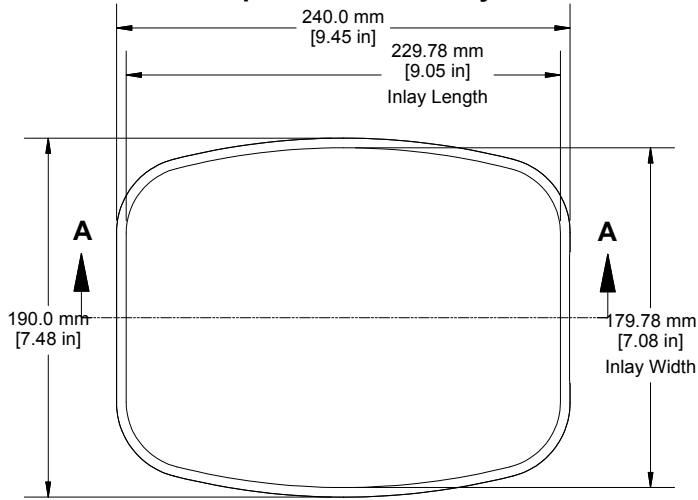
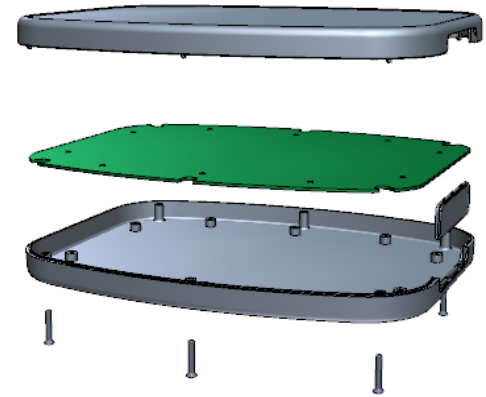
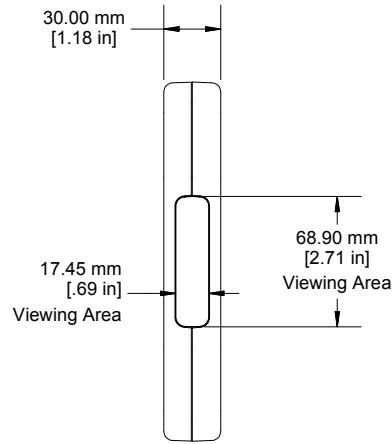


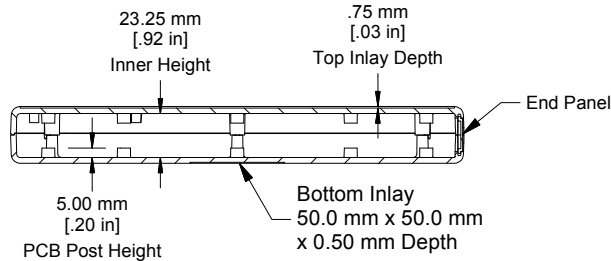
Top View of Assembly



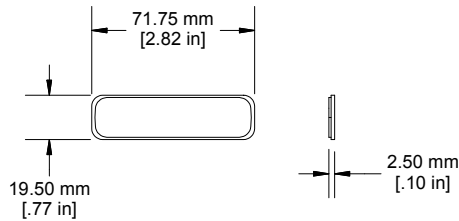
End View of Assembly



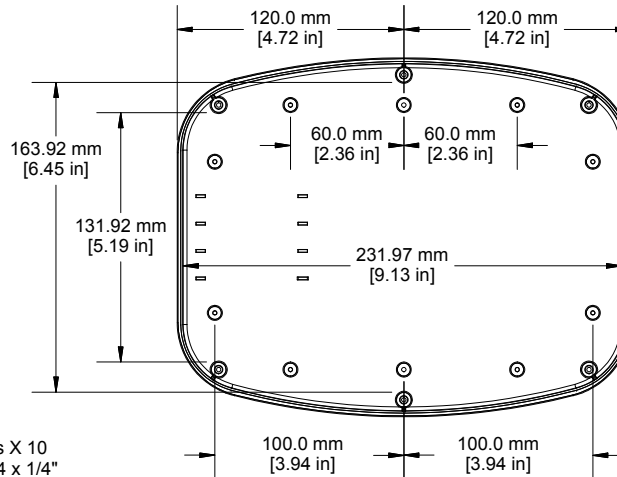
SECTION A-A (Side View of Assembly)



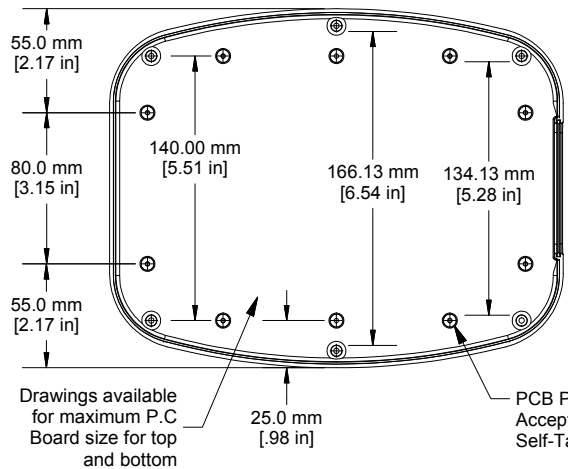
Removable Panel



Inside View Top



Inside View Bottom



Enclosures can be Factory Modified (Milling, Drilling, Printing etc.)
 Contact Factory mjm@hammondmfg.com for quotes
 Solid models of this enclosure available in STEP or IGES.

NOTE	
Enclosure molded from FR ABS (UL94-V0) plastic.	
Purchased assembly includes top and bottom cover, 1 removable panel and 6 cover screws (M3-0.5 x 18mm) . M3 Brass inserts are installed for cover screws. (P.C. Board not supplied)	
PART NUMBERS	
1599TABL Enclosure	
Black Enclosure	1599TABL BK
Grey Enclosure	1599TABLGY
ACCESSORIES	
Replacement Cover Screws (Pkg 100)	1594MS100 (Silver) 1594MS100BK (Black)
P.C. Board Screws	1593ATS50 (Pkg 50) 1593ATS100 (Pkg 100)

**HAMMOND
MANUFACTURING™**

1599TABL

www.hammondmfg.com