

Electronic housing - ME 17,5 OT-MKDSO GN - 2906843

Please be informed that the data shown in this PDF Document is generated from our Online Catalog. Please find the complete data in the user's documentation. Our General Terms of Use for Downloads are valid (<http://download.phoenixcontact.com>)



Housing upper part, for printed circuit terminal block connection

Illustration shows a fully mounted version of the electronic housing

Product Features

- Tool-free mounting
- Low design width with a high number of positions
- Large assembly area
- Same PCB geometry for all design widths
- Recessed labeling areas
- Fast mounting on DIN rails according to EN 60715
- Inflammability class V0 according to UL 94
- Material and part identification embossed on the housing (recyclability)
- Cost savings thanks to easy device production
- Electronic components can be partially removed
- Functional earth ground contact (EMC) integrated in the housing base
- Optional BUS connection integrated in the housing, for either parallel or serial contacting
- Metal foot catch

Key commercial data

package_quantity	10
GTIN	4017918126476

Technical data

General

Housing type	Upper part
Housing material	Polyamide
Color	green

Dimensions

Constructional height	38.5 mm
Width	17.5 mm

Technical data

Number of positions	12
Number of positions	24

Electronic housing - ME 17,5 OT-MKDSO GN - 2906843

Technical data

classifications

eCl@ss

eCl@ss 4.0	27180401
eCl@ss 4.1	27180401
eCl@ss 5.0	27180506
eCl@ss 5.1	27141190
eCl@ss 6.0	27141190
eCl@ss 7.0	27141190
eCl@ss 8.0	27141190

ETIM

ETIM 2.0	EC001031
ETIM 3.0	EC001031
ETIM 4.0	EC001031
ETIM 5.0	EC000886

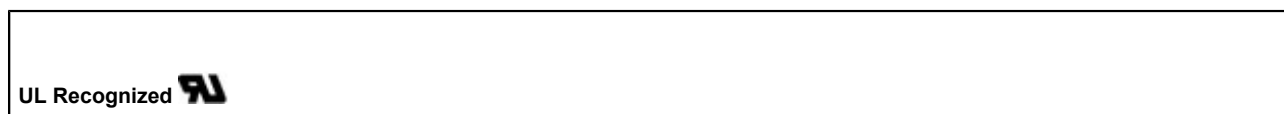
UNSPSC

UNSPSC 6.01	31261501
UNSPSC 7.0901	31261501
UNSPSC 11	31261501
UNSPSC 12.01	31261501
UNSPSC 13.2	31261501

approvals

UL Recognized /

Approval details



accessories

Mounting material

ME DH36 NS 35 - 2909895



Electronic housing - ME 17,5 OT-MKDSO GN - 2906843

accessories

ME DH27 NS 35 - 2908760



ME-SAS - 2853899



Component housing upper part

ME 17,5 OT-MKDSO GN - 2906843



Printed circuit board terminal

MKDSO 2,5/ 3-R - 1707218



MKDSO 2,5/ 3-L - 1707221



PCB plug

Electronic housing - ME 17,5 OT-MKDSO GN - 2906843

accessories

MSTBT 2,5/ 3-ST - 1779848



FKCT 2,5/ 3-ST - 1909223



Printed circuit board housing

MSTBO 2,5/ 3-G1R - 1861031



MSTBO 2,5/ 3-G1L - 1861028



Filler plug

ME B-17,5 MKDSO GN - 2906885



Electronic housing - ME 17,5 OT-MKDSO GN - 2906843

accessories

ME B-17,5 MSTBO GN - 2906869



ME B-SA/NS 35 - 2935959



ME B-KA - 2854173



accessories

MCVR 1,5/10-ST-3,81 AU - 1893216



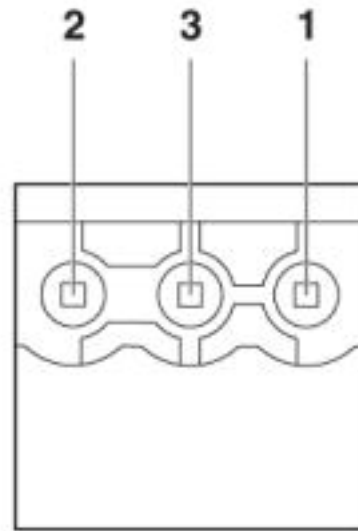
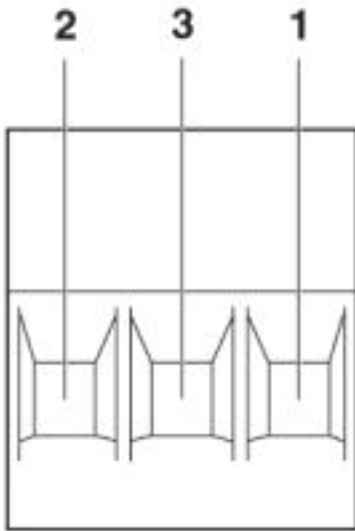
MCVR 1,5/ 5-ST-3,81 AU - 1893203



Drawings

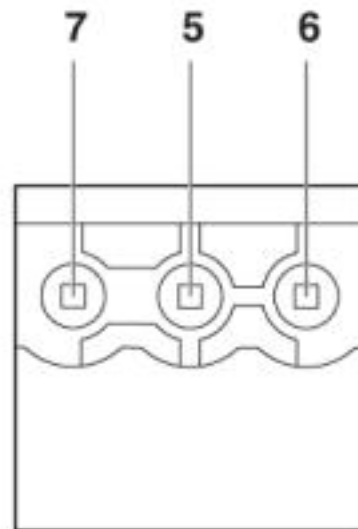
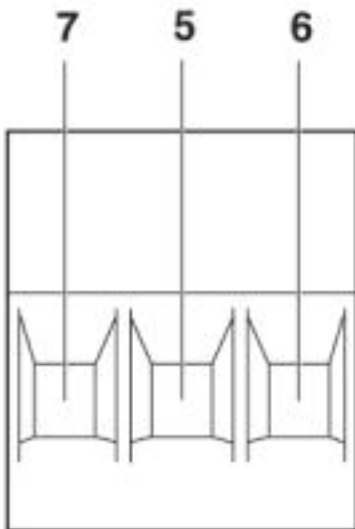
Electronic housing - ME 17,5 OT-MKDSO GN - 2906843

Schematic diagram



Pin assignment left

Schematic diagram



Pin assignment right