

Electronic housing - ME 17,5 TBUS 1,5/ 5-ST-3,81 GN - 2709561

Please be informed that the data shown in this PDF Document is generated from our Online Catalog. Please find the complete data in the user's documentation. Our General Terms of Use for Downloads are valid (<http://download.phoenixcontact.com>)



DIN rail connector for DIN rail mounting. Universal for TBUS housing. Gold-plated contacts, 5-pos.

Product Features

- For bridging the supply voltage when using a MINI POWER system power supply unit

Key commercial data

package_quantity	10
GTIN	4017918892654

Technical data

General

Color	green
-------	-------

Dimensions

Length	40 mm
Constructional height	20 mm
Width	3.5 mm

Technical data

Connection in acc. with standard	CUL
Nominal voltage U_N	150 V
Nominal current I_N	8 A
Indicator1	CUL1
Inflammability class according to UL 94	V0

classifications

eCl@ss

eCl@ss 4.0	27180401
eCl@ss 4.1	27180401
eCl@ss 5.0	27180506
eCl@ss 5.1	27180506
eCl@ss 6.0	27180802
eCl@ss 7.0	27182702
eCl@ss 8.0	27182702

Electronic housing - ME 17,5 TBUS 1,5/ 5-ST-3,81 GN - 2709561

classifications

ETIM

ETIM 2.0	EC001031
ETIM 3.0	EC001031
ETIM 4.0	EC001031
ETIM 5.0	EC001031

UNSPSC

UNSPSC 6.01	31261501
UNSPSC 7.0901	31261501
UNSPSC 11	31261501
UNSPSC 12.01	31261501
UNSPSC 13.2	31261501

approvals

UL Recognized / cUL Recognized / cULus Recognized /

Approval details

UL Recognized

cUL Recognized

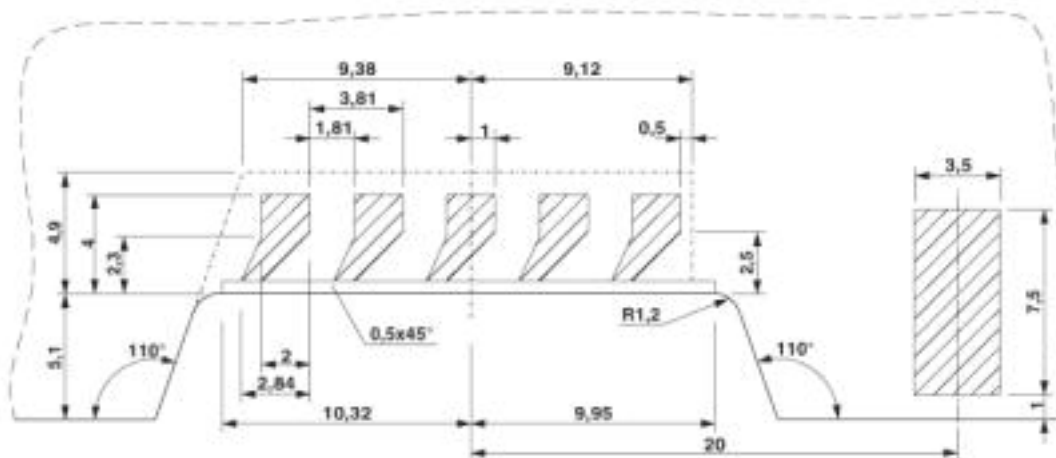
Usegroups	B	D
Nominal voltage UN	150 V	150 V
Nominal current IN	8 A	8 A
mm ² /AWG/kcmil		

cULus Recognized

Drawings

Electronic housing - ME 17,5 TBUS 1,5/ 5-ST-3,81 GN - 2709561

Drilling diagram



Detailed dimensional drawing of the DIN rail connector contact pads

Dimensioned drawing

