

# Electronic housing - EG 90-G/ABS GN - 2764328

Please be informed that the data shown in this PDF Document is generated from our Online Catalog. Please find the complete data in the user's documentation. Our General Terms of Use for Downloads are valid (<http://download.phoenixcontact.com>)



Lower housing part, with snap-on foot

Illustration shows a fully mounted version of the electronic housing

## Product Features

- Tool-free mounting
- Optimum accommodation of electronic components with graded pitches with a design width of 22.5 mm, 45 mm, 67.5 mm, and 90 mm
- Functional and industry-oriented housing technology
- Practical and easy-to-wire conductor connection using extra finely stranded sturdy screw terminal blocks up to 2.5 mm<sup>2</sup>
- Date of manufacture and material and part identification embossed on the housing (recyclability)
- Fast snap-on mounting on symmetrical DIN rails according to EN 60715
- Shock and contamination-proof accommodation of electronic components (IP40 housing, IP20 terminal blocks)

## Key commercial data

<b>package_quantity</b>	10
<b>GTIN</b>	4017918099510

## Technical data

### General

<b>Housing type</b>	Component housing
<b>Housing material</b>	Acryl butadiene styrene (ABS)
<b>Color</b>	green

### Ambient conditions

<b>Ambient temperature (operation)</b>	-40 °C ... 80 °C
--	------------------

### Dimensions

<b>Length</b>	75 mm
<b>Constructional height</b>	107.5 mm
<b>Width</b>	90 mm

### Technical data

<b>Inflammability class according to UL 94</b>	HB
<b>Power dissipation at 20°C in the horizontal mounting position</b>	6 W 9.1 W
<b>Number of positions</b>	34

# Electronic housing - EG 90-G/ABS GN - 2764328

## classifications

### eCl@ss

eCl@ss 4.0	27180401
eCl@ss 4.1	27180401
eCl@ss 5.0	27180506
eCl@ss 5.1	27180506
eCl@ss 6.0	27180802
eCl@ss 7.0	27182702
eCl@ss 8.0	27182702

### ETIM

ETIM 2.0	EC001031
ETIM 3.0	EC001031
ETIM 4.0	EC001031
ETIM 5.0	EC001031

### UNSPSC

UNSPSC 6.01	31261501
UNSPSC 7.0901	31261501
UNSPSC 11	31261501
UNSPSC 12.01	31261501
UNSPSC 13.2	31261501

## approvals

---

UL Recognized /

---

### Approval details



## accessories

### Coding element

CR-MSTB - 1734401



## Electronic housing - EG 90-G/ABS GN - 2764328

accessories

CP-MSTB - 1734634



CR-MSTB - 1734401



CP-MSTB - 1734634



### PCB plug

MVSTBW 2,5/ 9-ST - 1792595



MVSTBW 2,5/17-ST - 1792676



## Electronic housing - EG 90-G/ABS GN - 2764328

accessories

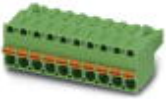
MVSTBW 2,5/ 8-STEHL - 1784309

---

MVSTBW 2,5/ 9-STEHL - 1763401

---

FKCT 2,5/17-ST - 1909362



FKCT 2,5/17-ST-5,08 - 1902262



### Printed circuit board terminal

---

MKKDSH 3/ 2 - 1721045



## Electronic housing - EG 90-G/ABS GN - 2764328

accessories

MKKDSH 3/ 3 - 1721346



---

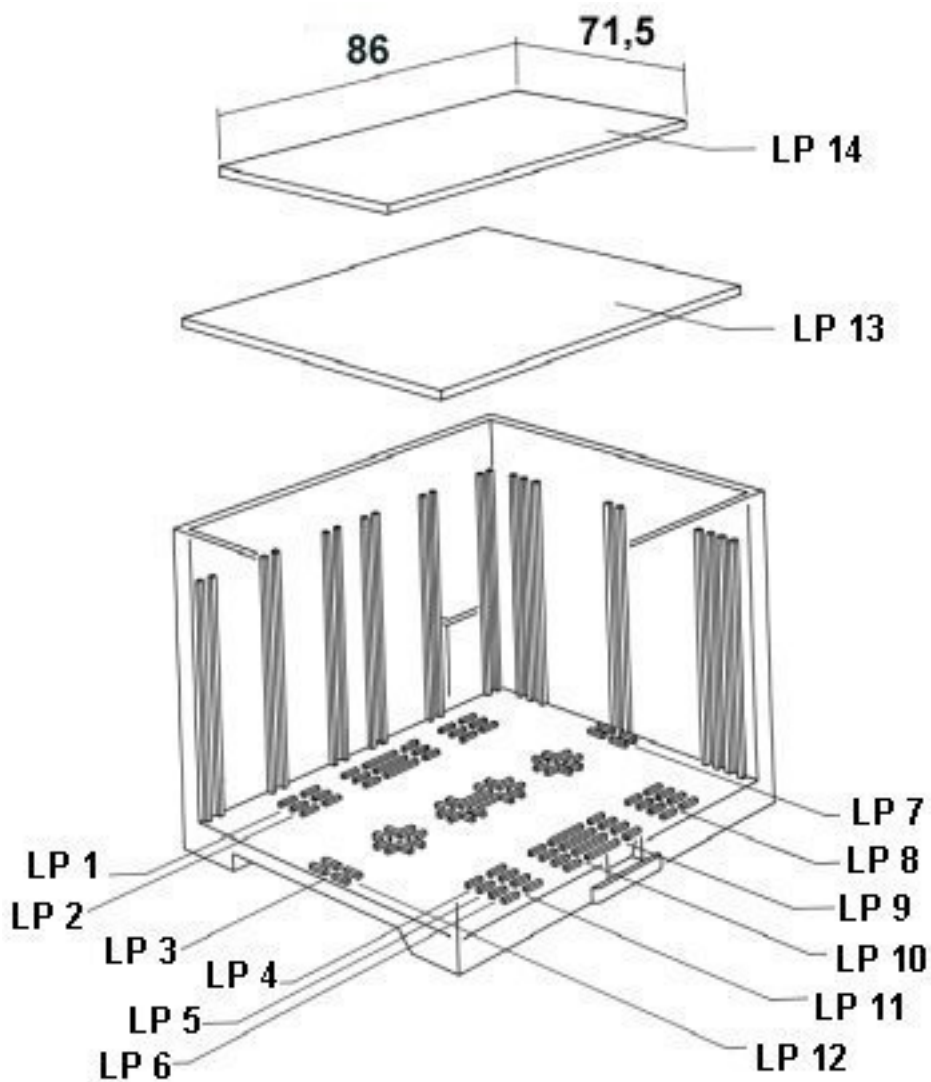
MKKDSH 3/ 8 - 1703283

---

Drawings

# Electronic housing - EG 90-G/ABS GN - 2764328

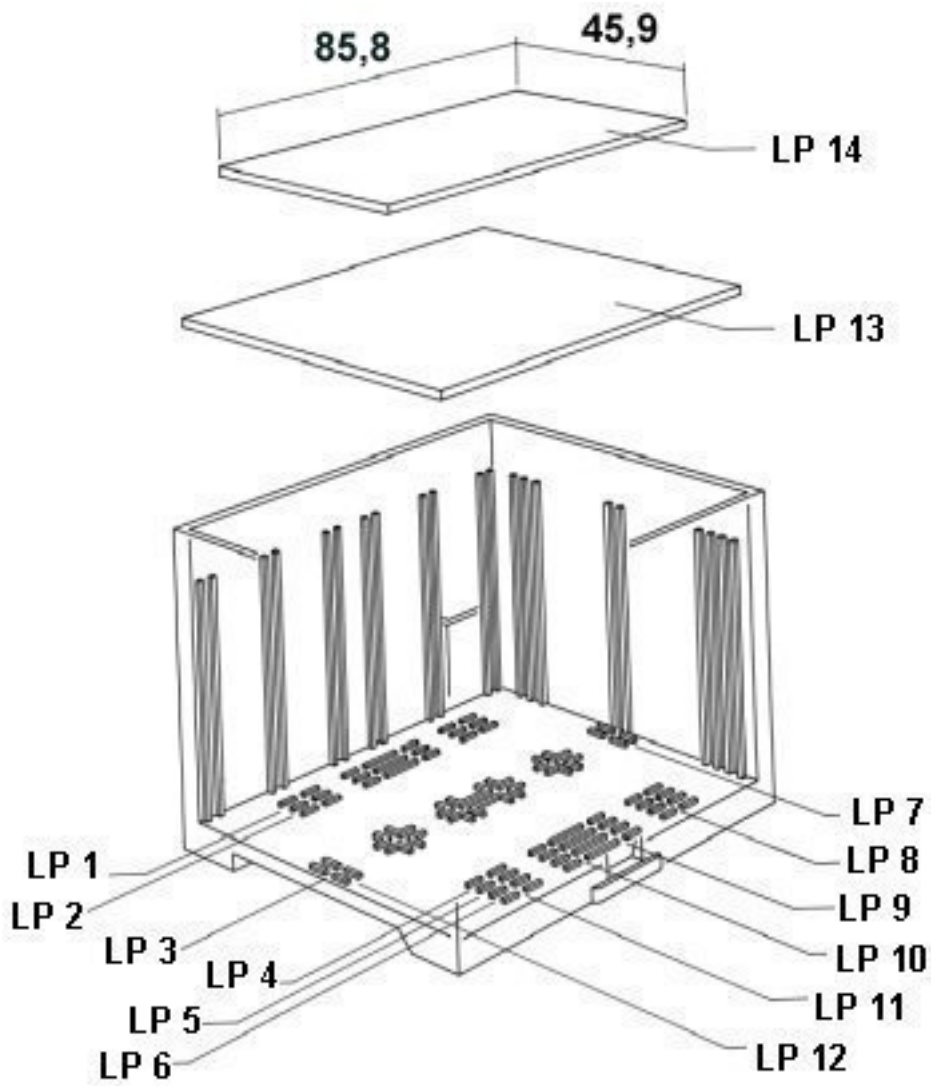
Explosion drawing



valid for PCB 13

# Electronic housing - EG 90-G/ABS GN - 2764328

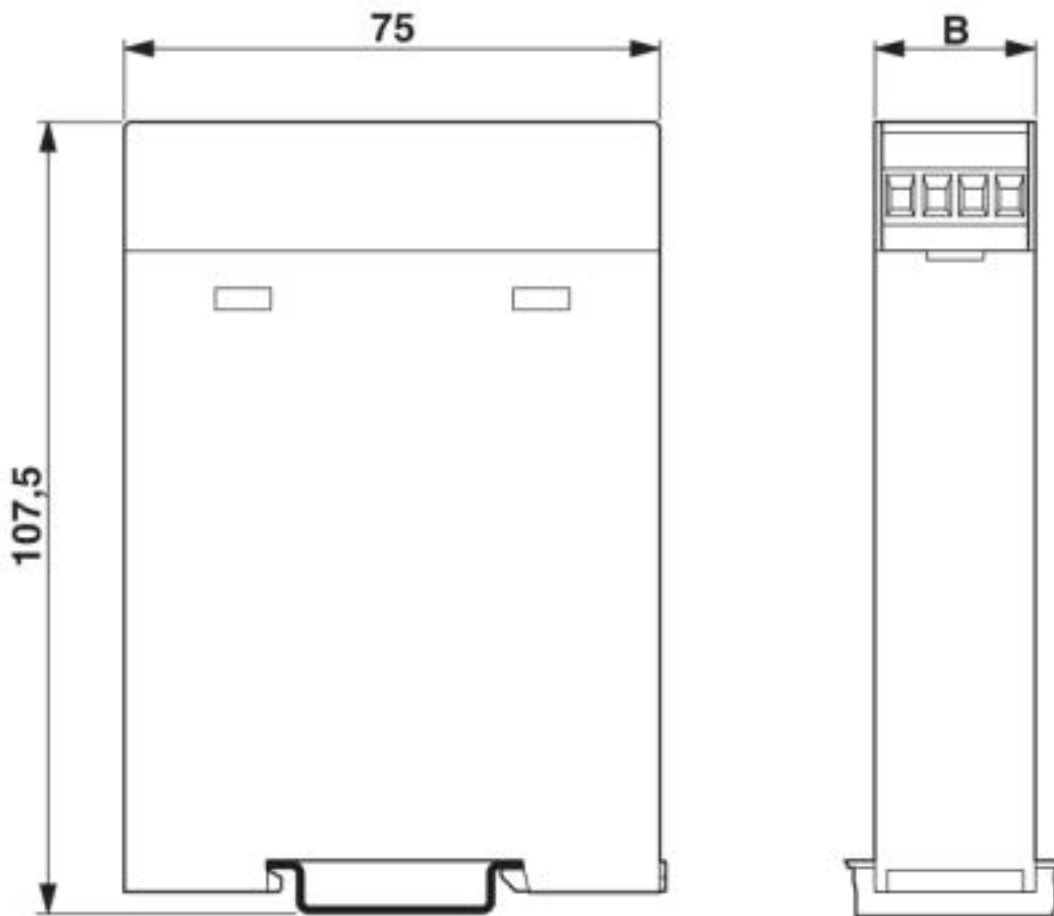
Explosion drawing



valid for PCB 14

# Electronic housing - EG 90-G/ABS GN - 2764328

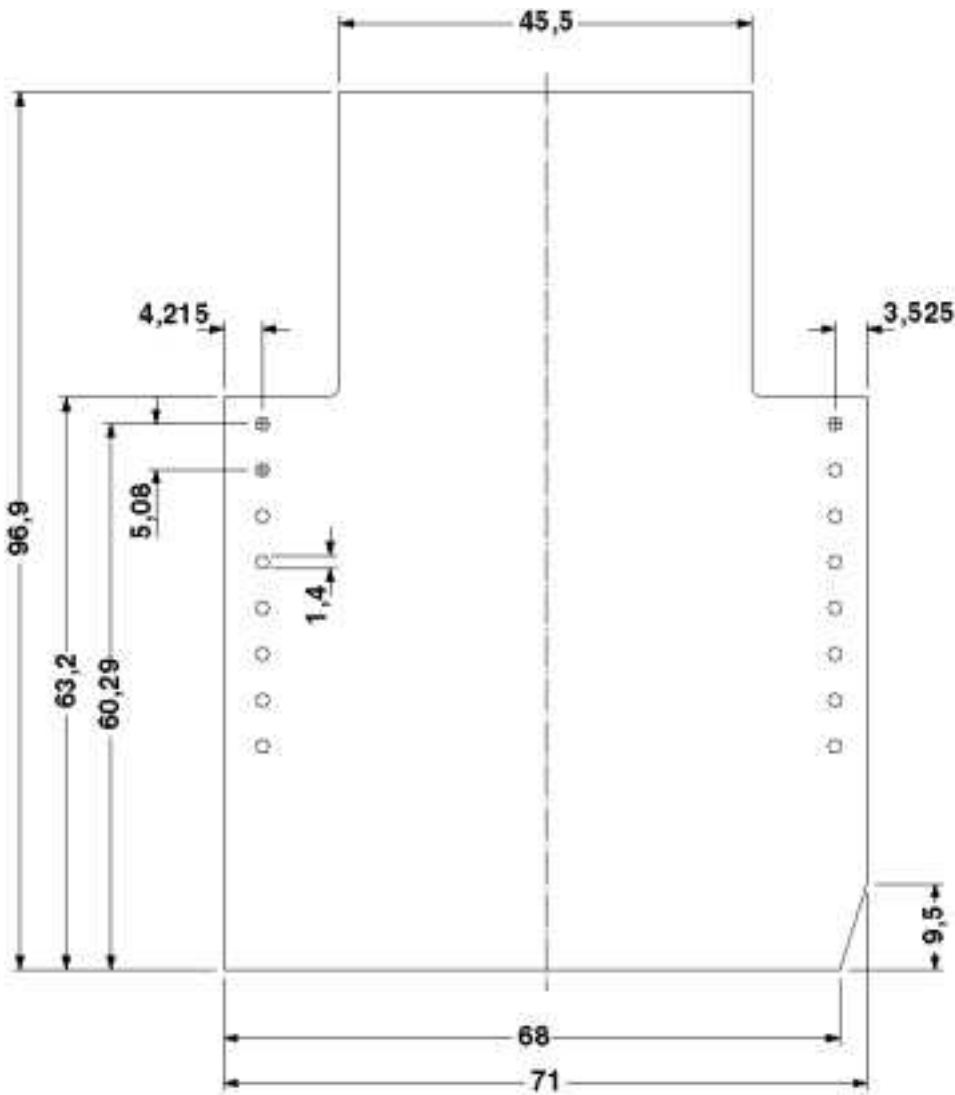
Dimensioned drawing





# Electronic housing - EG 90-G/ABS GN - 2764328

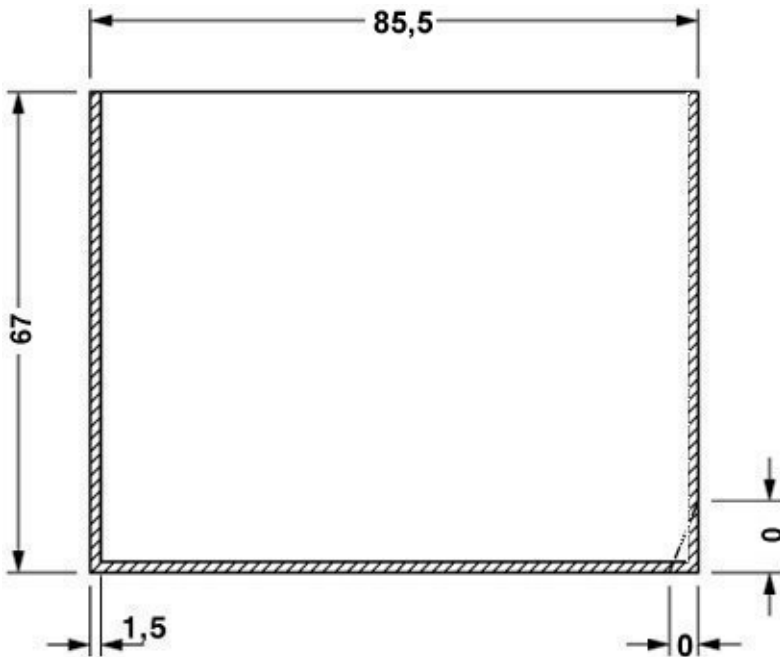
Dimensioned drawing



Component mounting side, if the double-level upper part is used

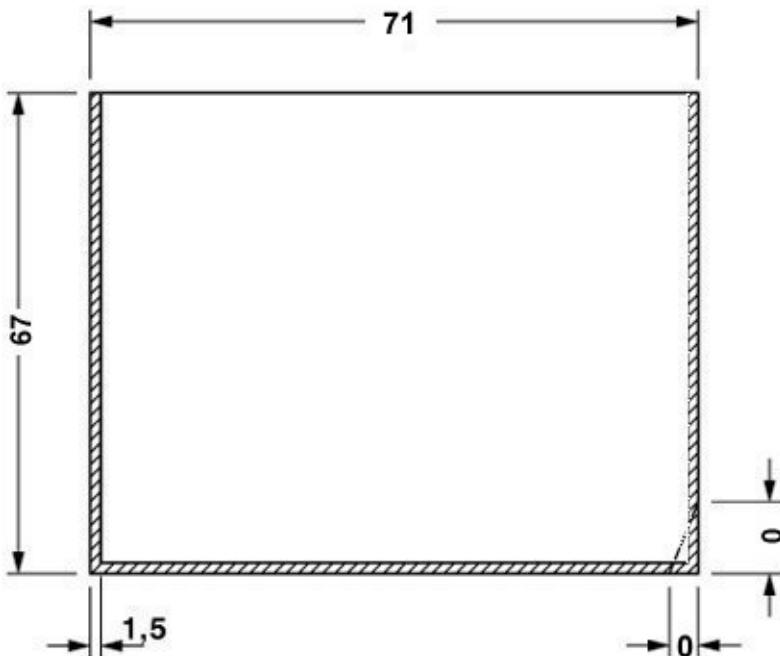
# Electronic housing - EG 90-G/ABS GN - 2764328

Dimensioned drawing



valid for PCB 1; 2; 3; 4; 5 und 6, see explosion drawing

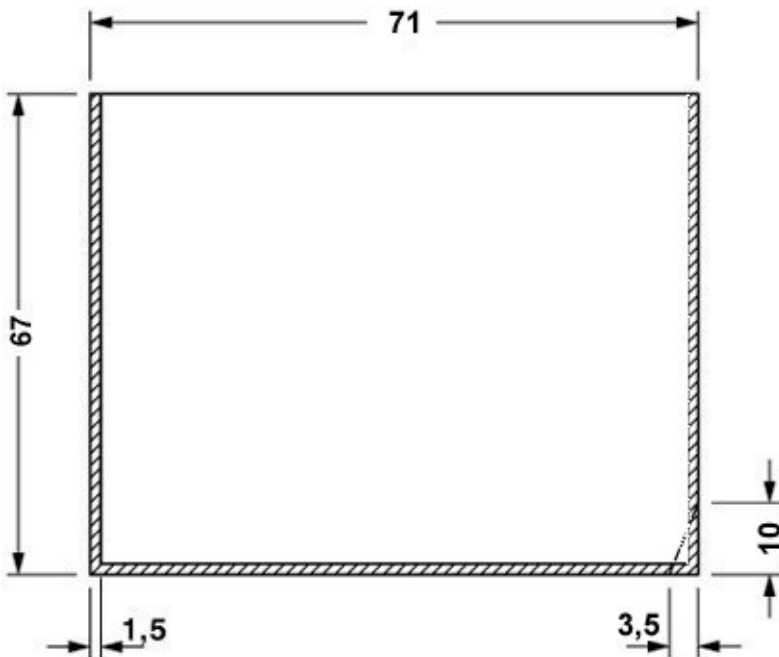
Dimensioned drawing



valid for PCB 7; 8; 11 and 12, see explosion drawing

## Electronic housing - EG 90-G/ABS GN - 2764328

Dimensioned drawing



valid for PCB 9 and 10, see explosion drawing

© Phoenix Contact 2013 - all rights reserved  
<http://www.phoenixcontact.com>