

# Electronic housing - ME 45 UT/FE GN - 2909358

Please be informed that the data shown in this PDF Document is generated from our Online Catalog. Please find the complete data in the user's documentation. Our General Terms of Use for Downloads are valid (<http://download.phoenixcontact.com>)



Lower part of housing, fully assembled, with integrated functional earth ground contact, and metal foot catch.

## Product Features

- Tool-free mounting
- Gold contacts for data transmission and power supply (125 V, 8 A)
- Large assembly area
- When a device is unplugged from the system as a whole, the signal chain is not interrupted# Supply via standard MINI COMBICON plug
- Low design width with a high number of positions
- Recessed labeling areas
- Same PCB geometry for all design widths
- Inflammability class V0 according to UL 94
- Fast mounting on DIN rails according to EN 60715
- Cost savings thanks to easy device production
- Material and part identification embossed on the housing (recyclability)
- Functional earth ground contact (EMC) integrated in the housing base
- Metal foot catch
- Optional BUS connection integrated in the housing, for either parallel or serial contacting
- Electronic components can be partially removed

## Key commercial data

|                         |               |
|-------------------------|---------------|
| <b>package_quantity</b> | 10            |
| <b>GTIN</b>             | 4017918163310 |

## Technical data

### General

|                         |                   |
|-------------------------|-------------------|
| <b>Housing type</b>     | Component housing |
| <b>Housing material</b> | Polyamide         |
| <b>Color</b>            | green             |

### Ambient conditions

|  |                   |
|--|-------------------|
| <b>Ambient temperature (operation)</b> | -40 °C ... 105 °C |
|--|-------------------|

### Dimensions

|                              |          |
|------------------------------|----------|
| <b>Length</b>                | 99 mm    |
| <b>Constructional height</b> | 114.5 mm |

# Electronic housing - ME 45 UT/FE GN - 2909358

## Technical data

### Dimensions

|              |       |
|--------------|-------|
| <b>Width</b> | 45 mm |
|--------------|-------|

### Technical data

|  |              |
|--|--------------|
| <b>Inflammability class according to UL 94</b>                       | V0           |
| <b>Power dissipation at 20°C in the horizontal mounting position</b> | 8.2 W 16.5 W |
| <b>Number of positions</b>   | 32           |
| <b>Number of positions</b>   | 8            |

## classifications

### eCl@ss

|                   |          |
|-------------------|----------|
| <b>eCl@ss 4.0</b> | 27180401 |
| <b>eCl@ss 4.1</b> | 27180401 |
| <b>eCl@ss 5.0</b> | 27180506 |
| <b>eCl@ss 5.1</b> | 27180506 |
| <b>eCl@ss 6.0</b> | 27180802 |
| <b>eCl@ss 7.0</b> | 27182702 |
| <b>eCl@ss 8.0</b> | 27182702 |

### ETIM

|                 |          |
|-----------------|----------|
| <b>ETIM 2.0</b> | EC001031 |
| <b>ETIM 3.0</b> | EC001031 |
| <b>ETIM 4.0</b> | EC001031 |
| <b>ETIM 5.0</b> | EC001031 |

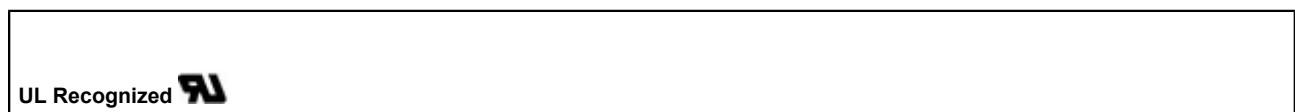
### UNSPSC

|                      |          |
|----------------------|----------|
| <b>UNSPSC 6.01</b>   | 31261501 |
| <b>UNSPSC 7.0901</b> | 31261501 |
| <b>UNSPSC 11</b>     | 31261501 |
| <b>UNSPSC 12.01</b>  | 31261501 |
| <b>UNSPSC 13.2</b>   | 31261501 |

## approvals

UL Recognized /

### Approval details



# Electronic housing - ME 45 UT/FE GN - 2909358

accessories

## Coding element

CR-MSTB - 1734401



CP-MSTB - 1734634



## Component housing center part

ME 45 UTM GN - 2853404



ME 45 UTM G GN - 2853417



ME 45 UTM GN - 2853404



## Mounting material

## Electronic housing - ME 45 UT/FE GN - 2909358

### accessories

ME-SAS - 2853899



---

ME LPZS - 2906911



---

ME MF 17,5 - 2908281



---

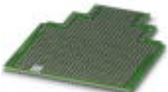
ME MF 17,5 - 2908281



---

### PCB

ME LP - 2906908



---

### Filler plug

## Electronic housing - ME 45 UT/FE GN - 2909358

### accessories

ME B-22,5 MKDSO GN - 2907143



ME B-22,5 MSTBO GN - 2907156



### Ground contact

ME FE-CONTACT - 2908294



ME FE-CONTACT - 2908294



### PCB plug

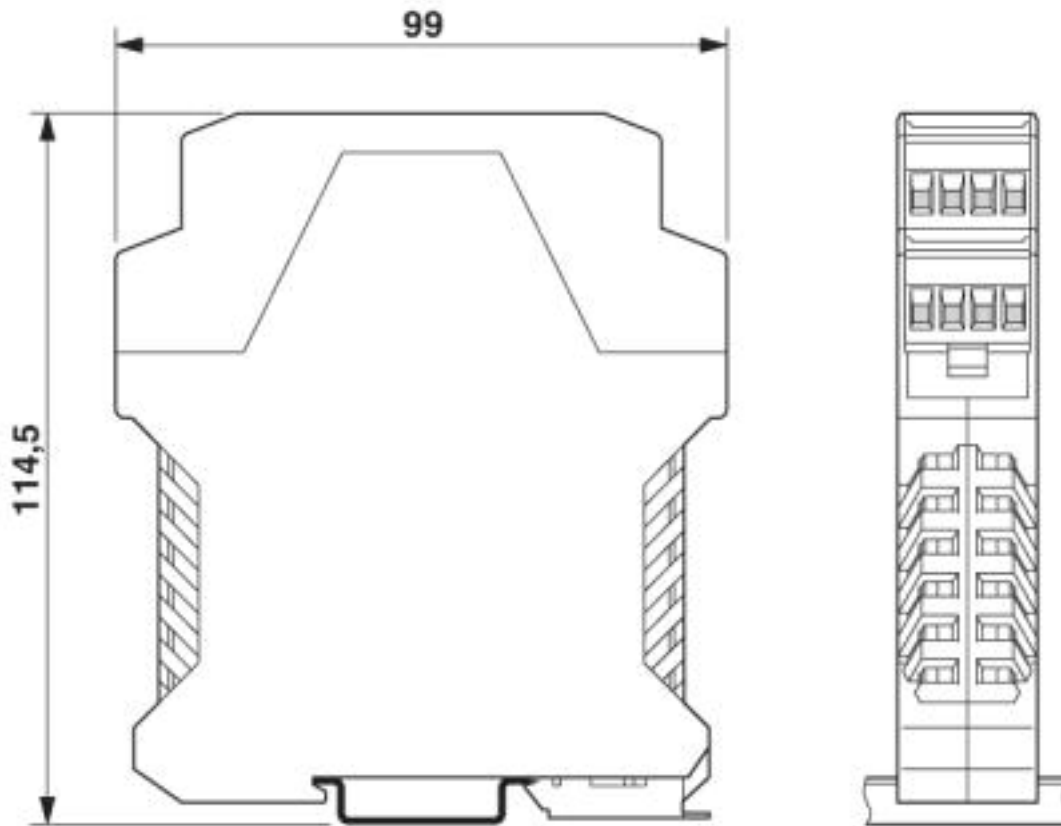
FKCT 2,5/ 4-ST - 1909236



### Drawings

# Electronic housing - ME 45 UT/FE GN - 2909358

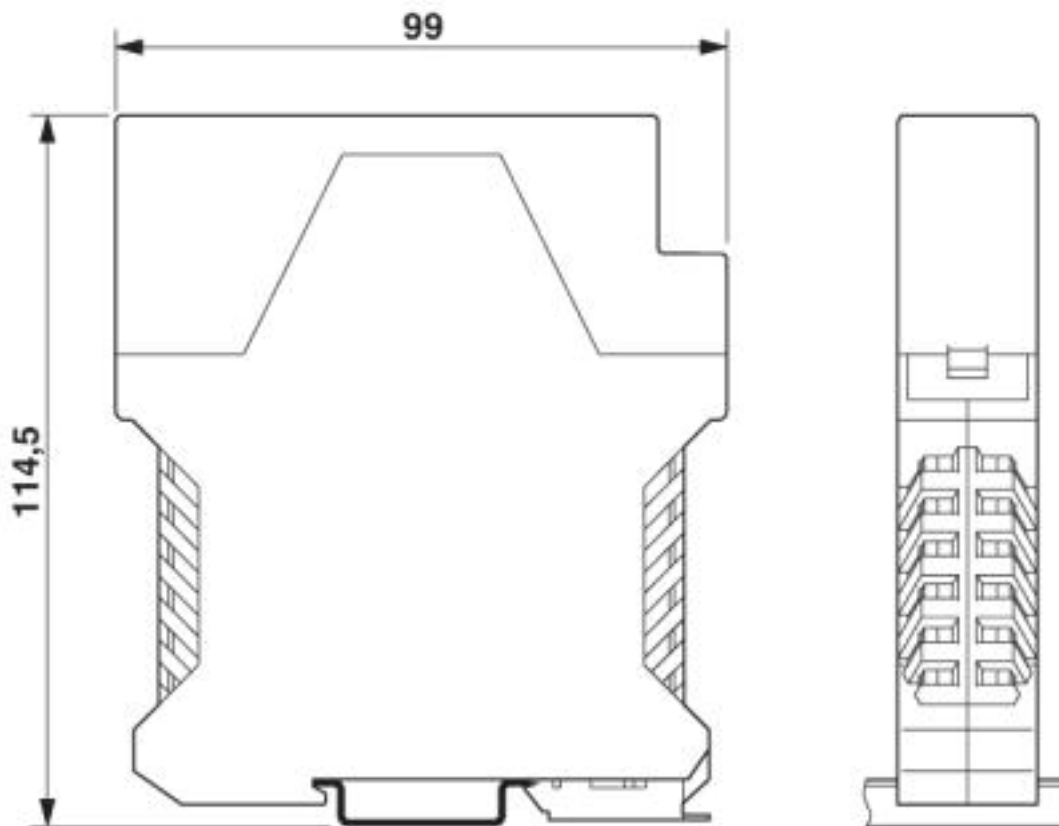
Dimensioned drawing



Dimensions of the electronic housing ME... with double-level upper part

# Electronic housing - ME 45 UT/FE GN - 2909358

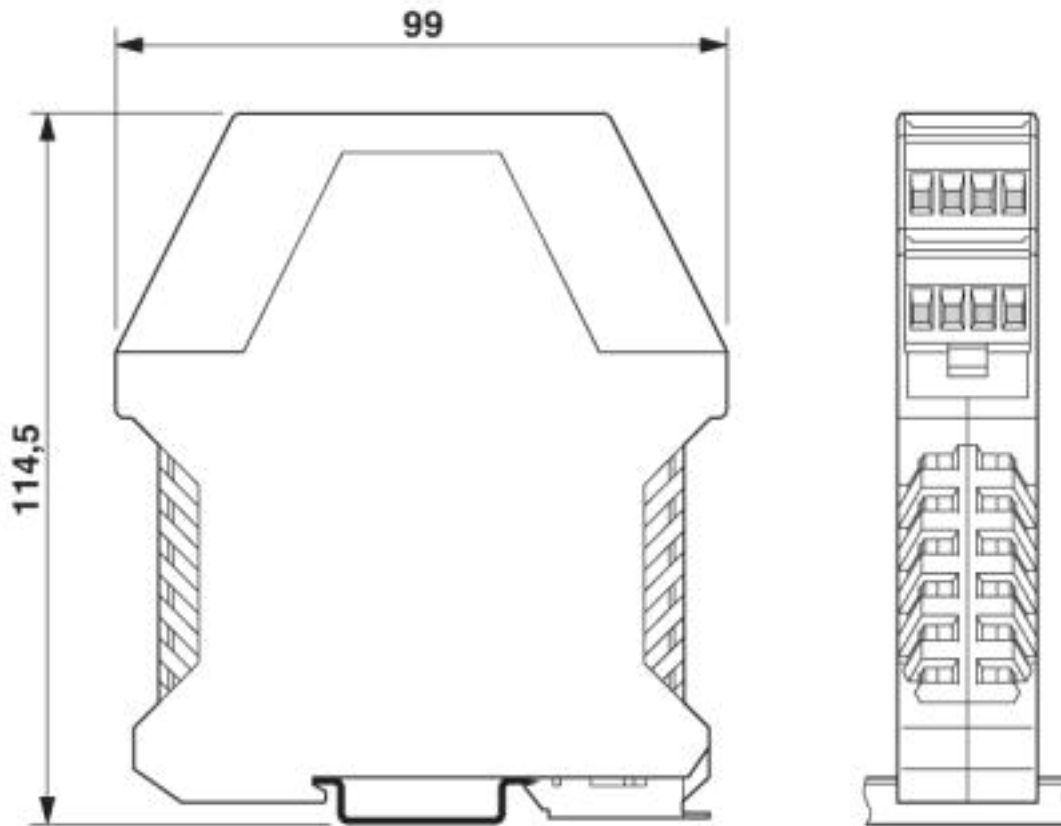
Dimensioned drawing



Dimensions of the electronic housing ME... with single-level upper part

# Electronic housing - ME 45 UT/FE GN - 2909358

Dimensioned drawing

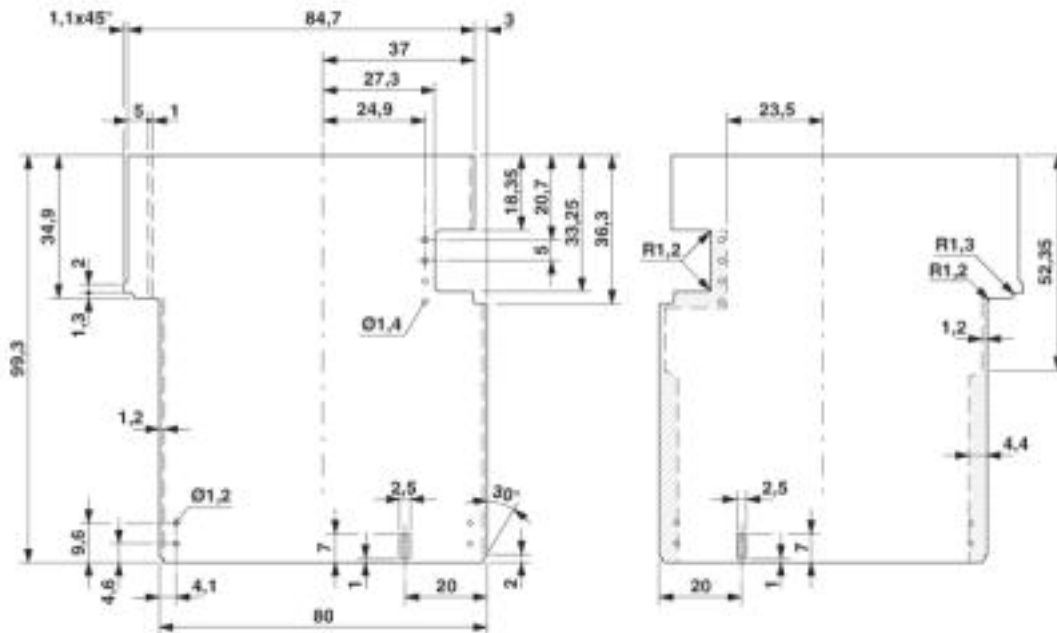


Dimensions of the electronic housing ME... with double-level upper part



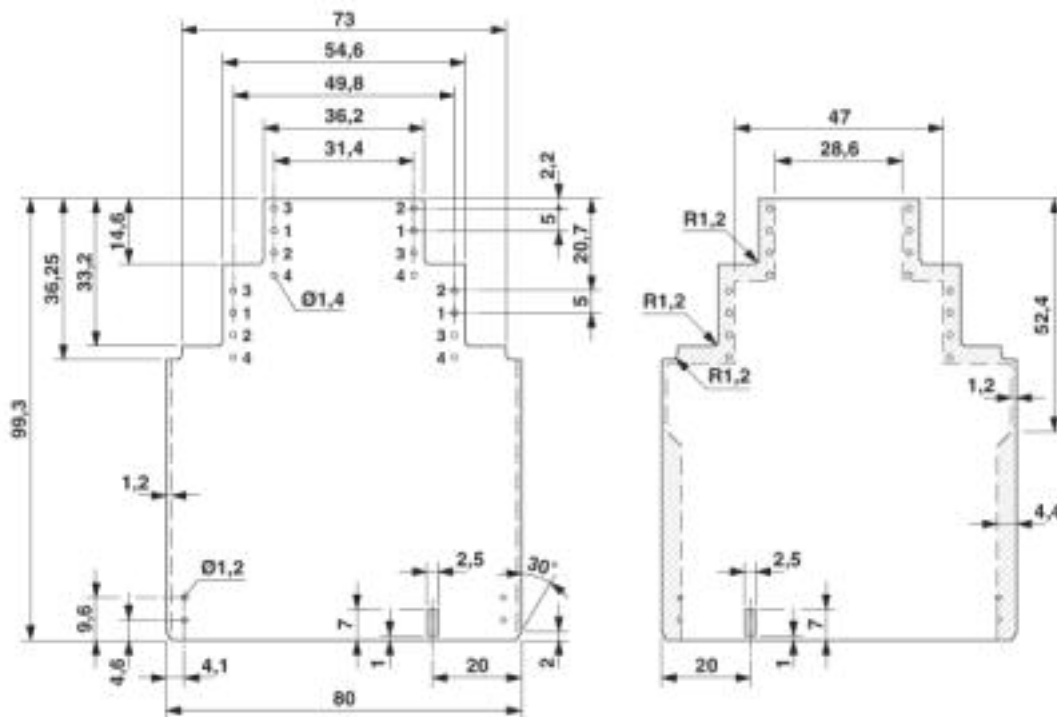
# Electronic housing - ME 45 UT/FE GN - 2909358

Dimensioned drawing



Dimensional drawing of the ME... printed circuit board if the single level upper part is used

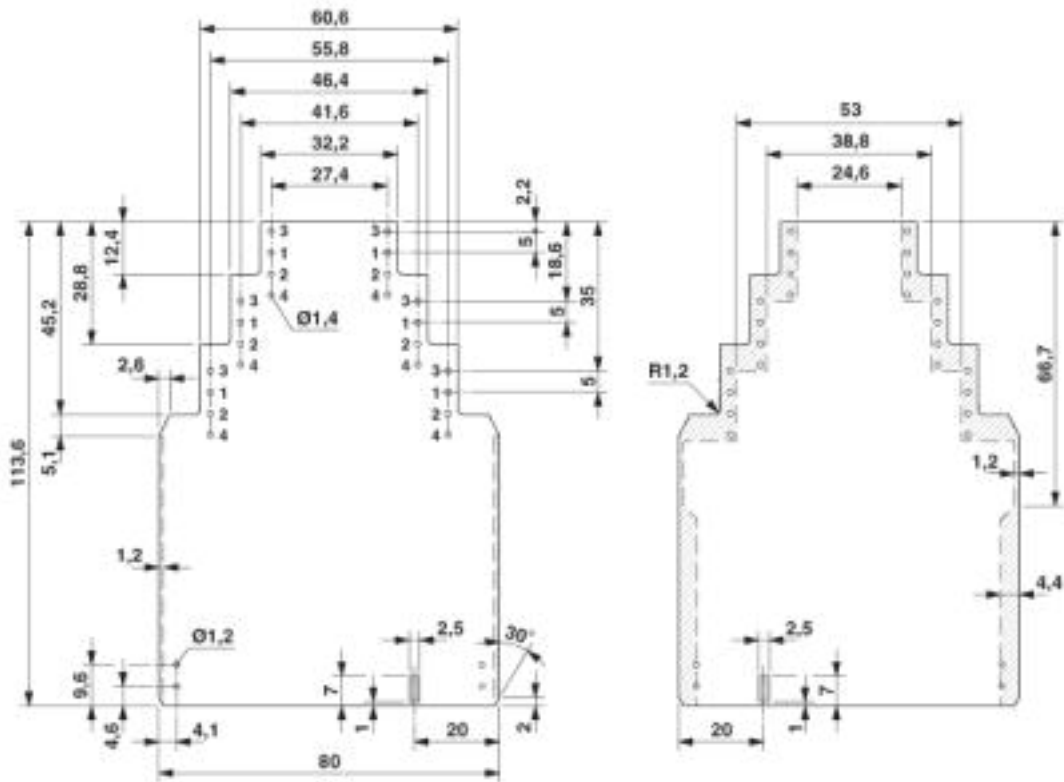
Dimensioned drawing



Dimensional drawing of the ME... printed circuit board if the double level upper part is used

# Electronic housing - ME 45 UT/FE GN - 2909358

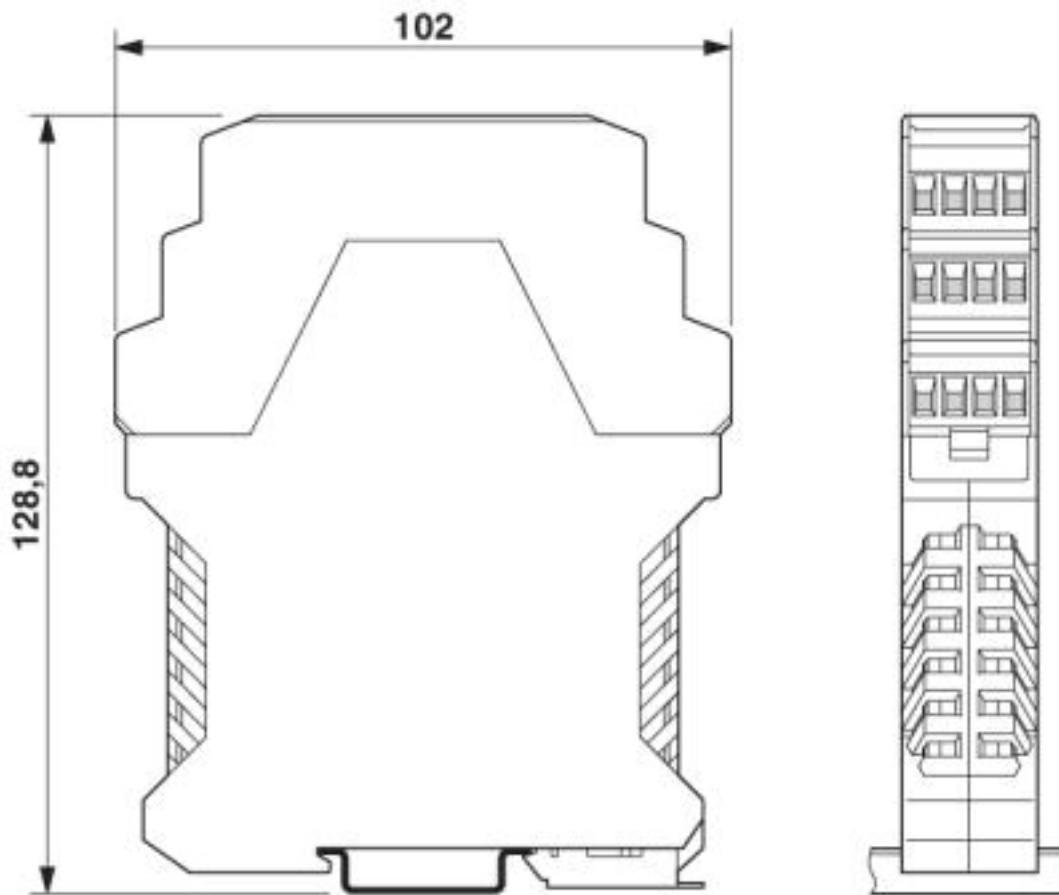
Dimensioned drawing



Dimensional drawing of the ME... printed circuit board if the triple-level upper part is used

# Electronic housing - ME 45 UT/FE GN - 2909358

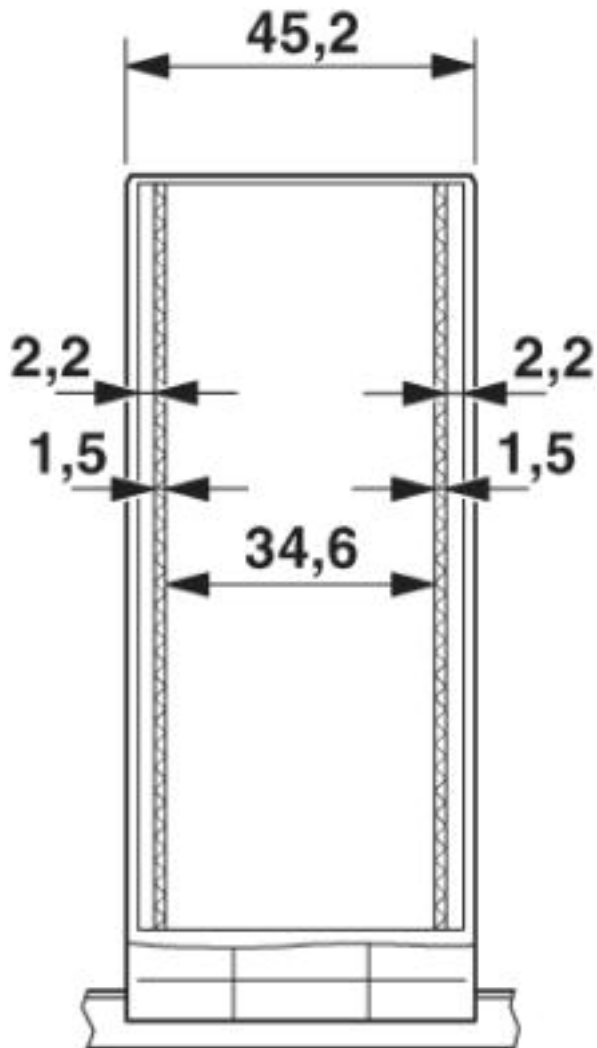
Dimensioned drawing



Dimensional drawing of the ME... printed circuit board if the triple-level upper part is used

# Electronic housing - ME 45 UT/FE GN - 2909358

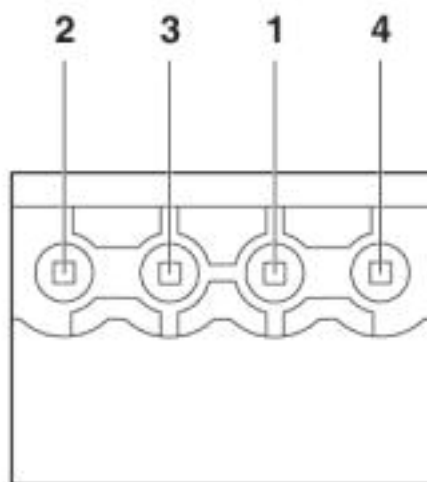
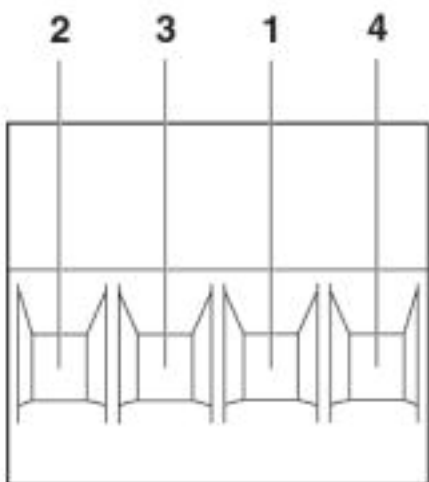
Dimensioned drawing



Inner housing dimensions, electronic housing ME 45 ...

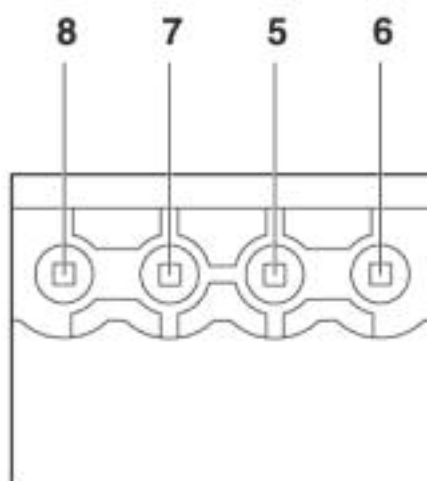
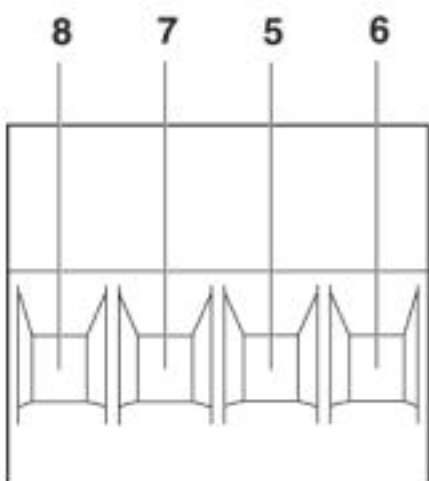
# Electronic housing - ME 45 UT/FE GN - 2909358

Schematic diagram



Pin assignment left

Schematic diagram



Pin assignment right