

# Electronic housing - UEGH 25 - 2757115

Please be informed that the data shown in this PDF Document is generated from our Online Catalog. Please find the complete data in the user's documentation. Our General Terms of Use for Downloads are valid (<http://download.phoenixcontact.com>)



Electronic housing, double-level, fully equipped with 6 screw connections per side for one printed circuit board

The illustration shows version UEGH 22,5

## Product Features

- Efficient assembly thanks to overlapping housing parts
- Can accommodate up to two PCBs
- Can be snapped onto standard NS 35/7,5 and NS 35/15 DIN rails
- Increased number of positions thanks to optional UEGM-MT FS slip-on connections

## Key commercial data

<b>package_quantity</b>	10
<b>GTIN</b>	4017918108021

## Technical data

### General

<b>Housing type</b>	Complete housing
<b>Housing material</b>	Polyamide (PA 6.6)
<b>Color</b>	green

### Ambient conditions

<b>Ambient temperature (operation)</b>	-40 °C ... 105 °C
--	-------------------

### Dimensions

<b>Length</b>	79 mm
<b>Constructional height</b>	106.7 mm
<b>Width</b>	25 mm
<b>Pitch</b>	5 mm

### Technical data

<b>Connection in acc. with standard</b>	CUL
<b>Nominal voltage <math>U_N</math></b>	300 V
<b>Nominal current <math>I_N</math></b>	10 A
<b>AWG/kcmil</b>	30-12
<b>Indicator1</b>	CUL1
<b>Inflammability class according to UL 94</b>	V0

# Electronic housing - UEGH 25 - 2757115

## Technical data

### Technical data

Power dissipation at 20°C in the horizontal mounting position	4.8 W 7.2 W
Number of positions	12

### Connection data

Conductor cross section solid min.	0.2 mm <sup>2</sup>
Conductor cross section solid max.	4 mm <sup>2</sup>
Conductor cross section stranded min.	0.2 mm <sup>2</sup>
Conductor cross section stranded max.	2.5 mm <sup>2</sup>
Conductor cross section AWG/kcmil min.	24
Conductor cross section AWG/kcmil max	12
Stripping length	8 mm

## classifications

### eCl@ss

eCl@ss 4.0	27180401
eCl@ss 4.1	27180401
eCl@ss 5.0	27180506
eCl@ss 5.1	27180506
eCl@ss 6.0	27180802
eCl@ss 7.0	27182702
eCl@ss 8.0	27182702

### ETIM

ETIM 2.0	EC001031
ETIM 3.0	EC001031
ETIM 4.0	EC001031
ETIM 5.0	EC001031

### UNSPSC

UNSPSC 6.01	31261501
UNSPSC 7.0901	31261501
UNSPSC 11	31261501
UNSPSC 12.01	31261501
UNSPSC 13.2	31261501

## approvals

---

UL Recognized / cUL Recognized / GOST / GOST / cULus Recognized /

---

### Approval details

# Electronic housing - UEGH 25 - 2757115

approvals

UL Recognized

cUL Recognized

Usegroups	B	D
Nominal voltage UN	300 V	300 V
Nominal current IN	10 A	10 A
mm <sup>2</sup> /AWG/kcmil	30-12	30-12

GOST

cULus Recognized

accessories

**Bridge**

DB 50- 90 GY - 2820929



accessories

-

# Electronic housing - UEGH 25 - 2757115

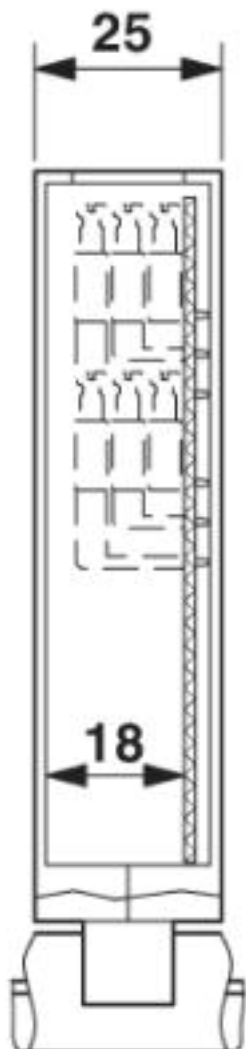
accessories

-

---

## Drawings

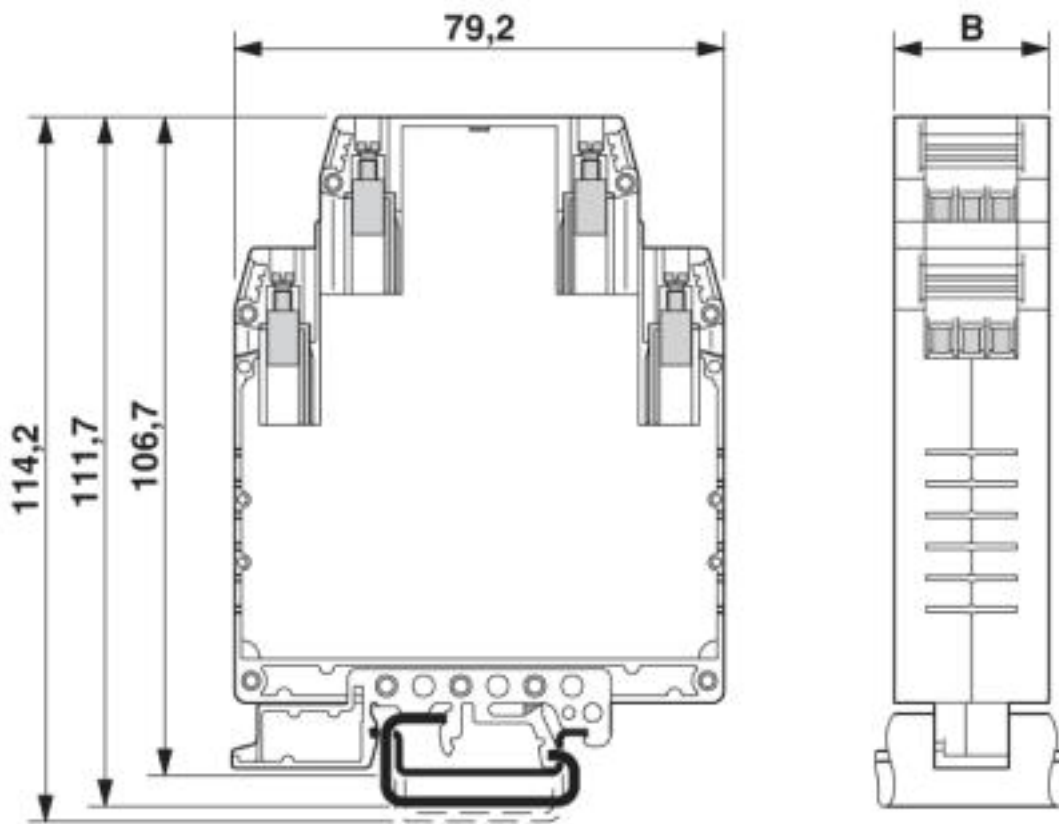
Dimensioned drawing



For 1 PCB, 12 pos.

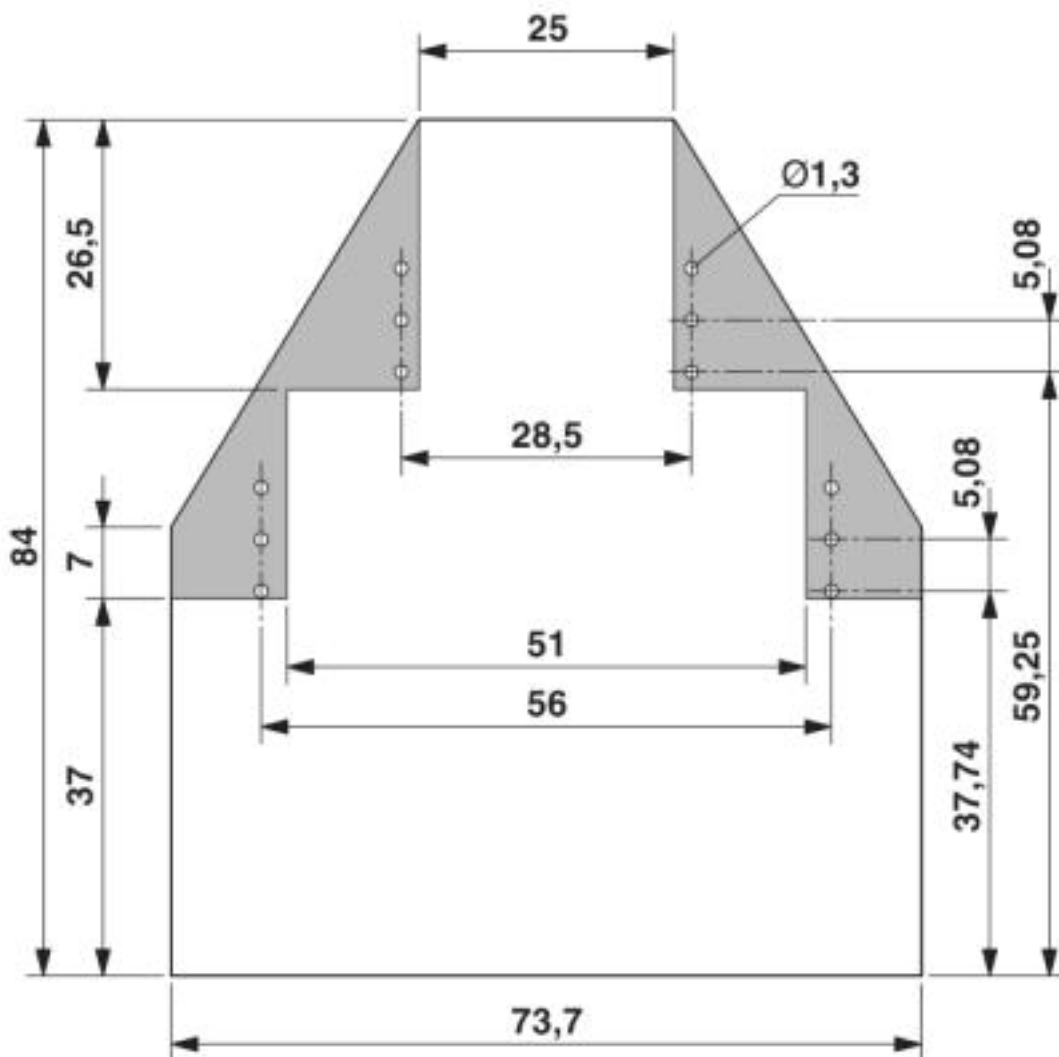
# Electronic housing - UEGH 25 - 2757115

Dimensioned drawing



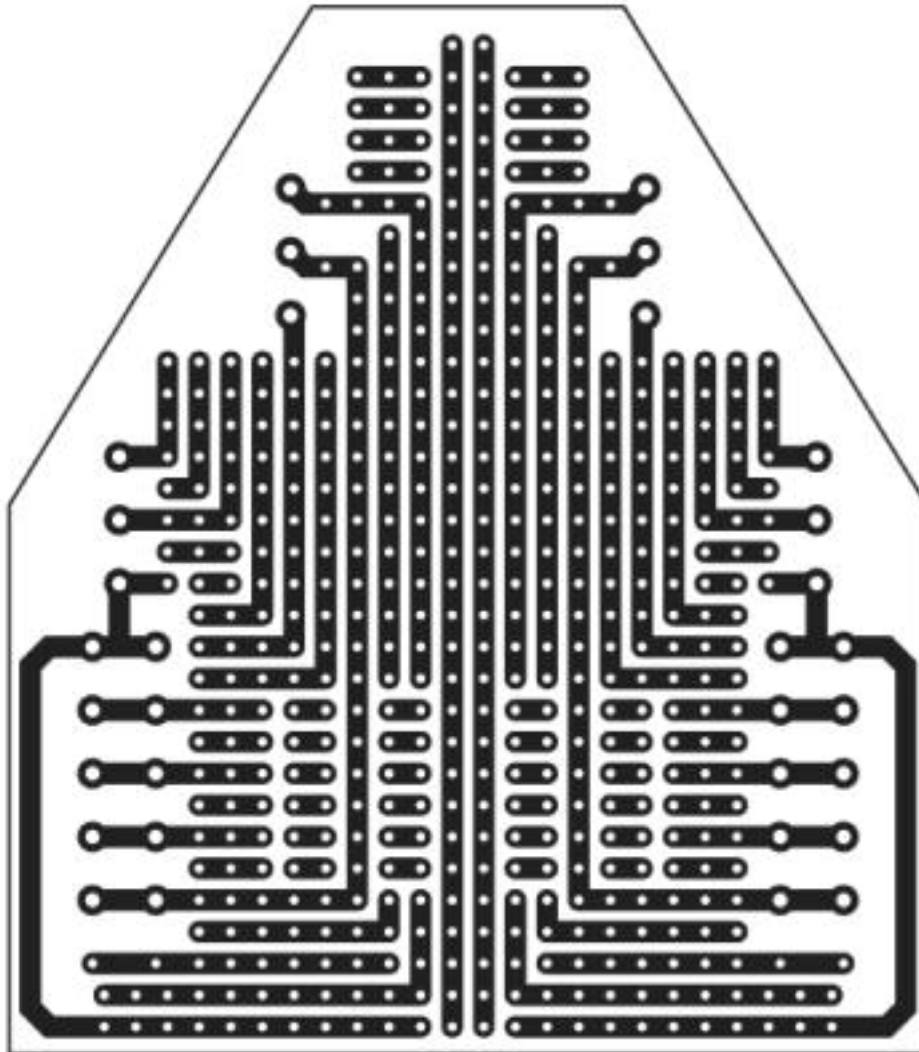
# Electronic housing - UEGH 25 - 2757115

Dimensioned drawing



# Electronic housing - UEGH 25 - 2757115

Schematic diagram



© Phoenix Contact 2013 - all rights reserved  
<http://www.phoenixcontact.com>