

# Electronic housing - ME 17,5 UT/FE BUS/10+2 GN - 2854199

Please be informed that the data shown in this PDF Document is generated from our Online Catalog. Please find the complete data in the user's documentation. Our General Terms of Use for Downloads are valid (<http://download.phoenixcontact.com>)



Lower part of housing, integrated 10-pos. cross connection link for parallel through contacting, and 2-pos. connection link for serial contacting

## Product Features

- 2 optional serial contacts (daisy chain)
- Gold contacts for data transmission and power supply (125 V, 8 A)
- Supply via standard MINI COMBICON plug
- Can be snapped onto standard NS 35/7,5 and NS 35/15 DIN rails

## Key commercial data

<b>package_quantity</b>	10
<b>GTIN</b>	4017918190132

## Technical data

### General

<b>Housing type</b>	Component housing
<b>Housing material</b>	Polyamide
<b>Color</b>	green

### Ambient conditions

<b>Ambient temperature (operation)</b>	-40 °C ... 105 °C
--	-------------------

### Dimensions

<b>Length</b>	99 mm
<b>Constructional height</b>	114.5 mm
<b>Width</b>	17.5 mm

### Technical data

<b>Connection in acc. with standard</b>	CUL
<b>Nominal voltage <math>U_N</math></b>	300 V
<b>Nominal current <math>I_N</math></b>	8 A
<b>Indicator1</b>	CUL1
<b>Inflammability class according to UL 94</b>	V0
<b>Power dissipation at 20°C in the horizontal mounting position</b>	5.2 W 10.8 W
<b>Number of positions</b>	12

# Electronic housing - ME 17,5 UT/FE BUS/10+2 GN - 2854199

## classifications

### eCl@ss

eCl@ss 4.0	27180401
eCl@ss 4.1	27180401
eCl@ss 5.0	27180506
eCl@ss 5.1	27180506
eCl@ss 6.0	27180802
eCl@ss 7.0	27182702
eCl@ss 8.0	27182702

### ETIM

ETIM 2.0	EC001031
ETIM 3.0	EC001031
ETIM 4.0	EC001031
ETIM 5.0	EC001031

### UNSPSC

UNSPSC 6.01	31261501
UNSPSC 7.0901	31261501
UNSPSC 11	31261501
UNSPSC 12.01	31261501
UNSPSC 13.2	31261501

## approvals

UL Recognized / cUL Recognized / cULus Recognized /

### Approval details

UL Recognized
---------------

cUL Recognized		
Usegroups	B	D
Nominal voltage UN	300 V	300 V
Nominal current IN	8 A	8 A
mm <sup>2</sup> /AWG/kcmil		

cULus Recognized
------------------

## Electronic housing - ME 17,5 UT/FE BUS/10+2 GN - 2854199

accessories

### Coding element

CR-MSTB - 1734401



CP-MSTB - 1734634



### Mounting material

ME-SAS - 2853899



ME DH27 NS 35 - 2908760



ME DH36 NS 35 - 2909895



### Filler plug

## Electronic housing - ME 17,5 UT/FE BUS/10+2 GN - 2854199

### accessories

ME B-KA - 2854173



ME B-17,5 MSTBO GN - 2906869



ME B-17,5 MKDSO GN - 2906885



ME B-SA/NS 35 - 2935959



ME B-17,5 MKDSO GN - 2906885



ME B-17,5 MSTBO GN - 2906869



## Electronic housing - ME 17,5 UT/FE BUS/10+2 GN - 2854199

accessories

---

ME B-SA/NS 35 - 2935959



ME B-KA - 2854173



**PCB plug**

FKCT 2,5/ 3-ST - 1909223



accessories

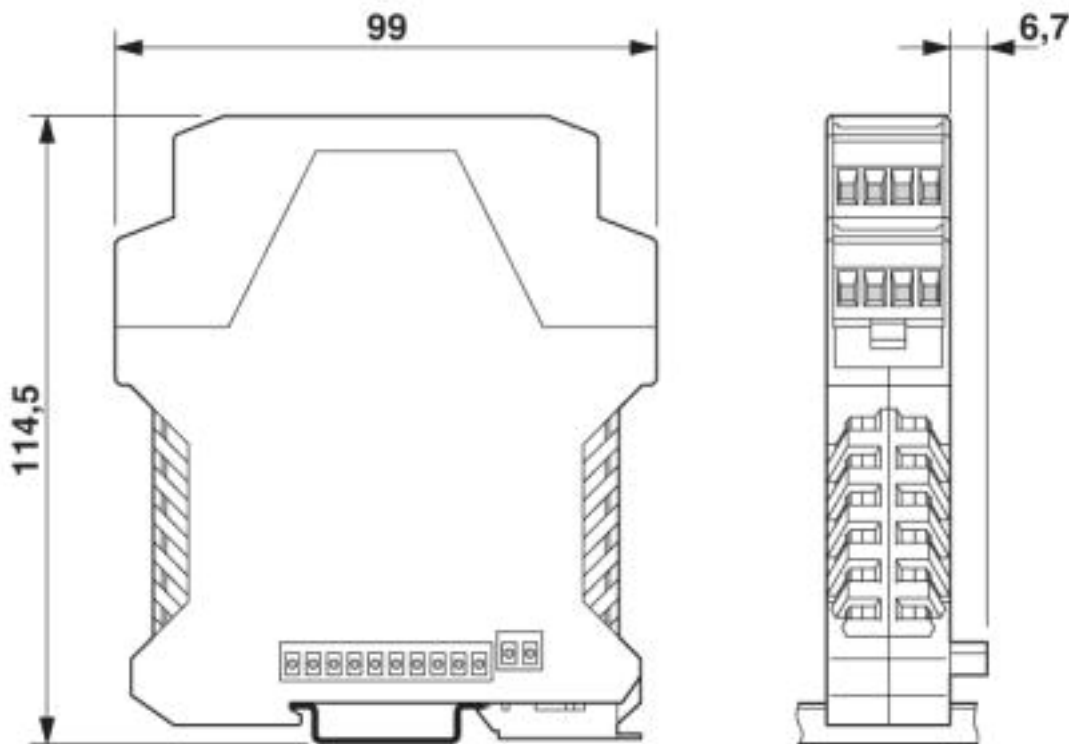
MCVR 1,5/ 5-ST-3,81 AU - 1893203



Drawings

# Electronic housing - ME 17,5 UT/FE BUS/10+2 GN - 2854199

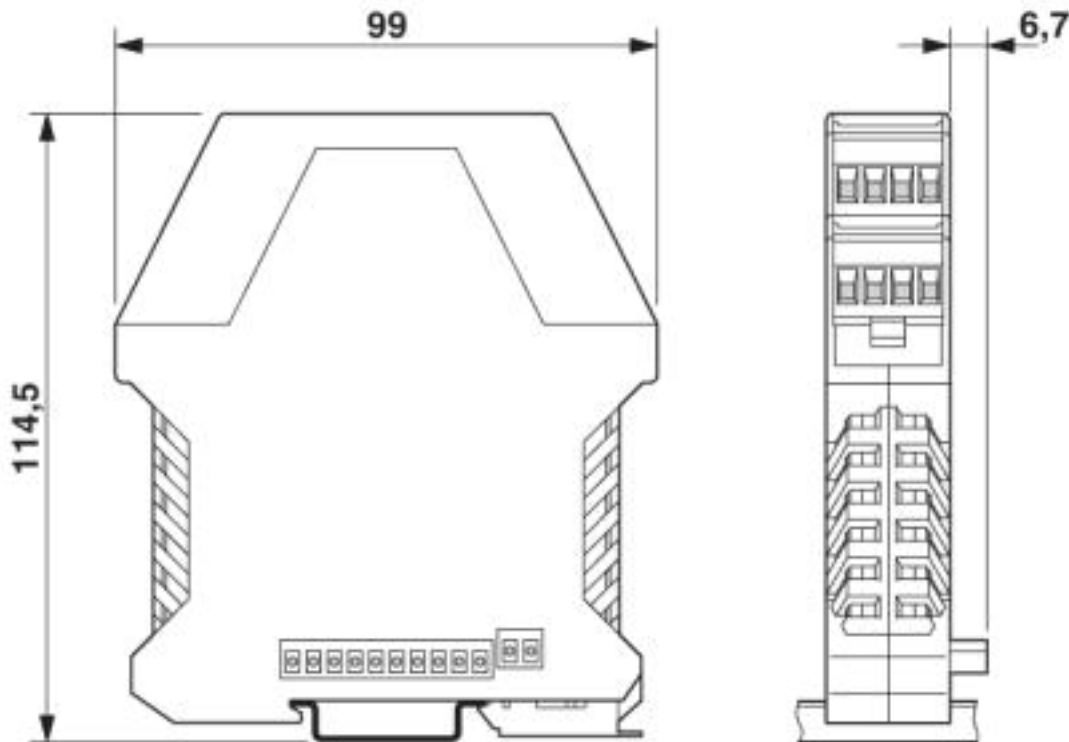
Dimensioned drawing



Dimensions of the electronics housing ME.../BUS 5+2 and ME.../BUS 10+2 with double-level upper part

# Electronic housing - ME 17,5 UT/FE BUS/10+2 GN - 2854199

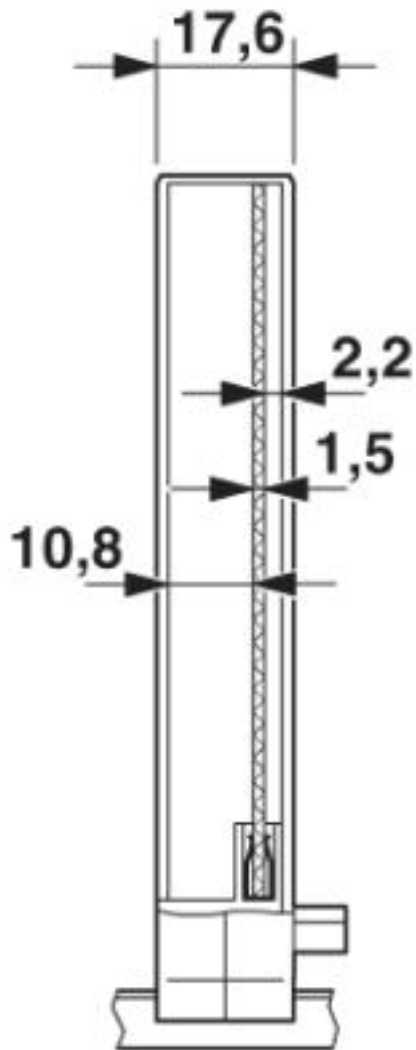
Dimensioned drawing



Dimensions of the electronics housing ME.../BUS 5+2 and ME.../BUS 10+2 with double-level upper part

# Electronic housing - ME 17,5 UT/FE BUS/10+2 GN - 2854199

Dimensioned drawing

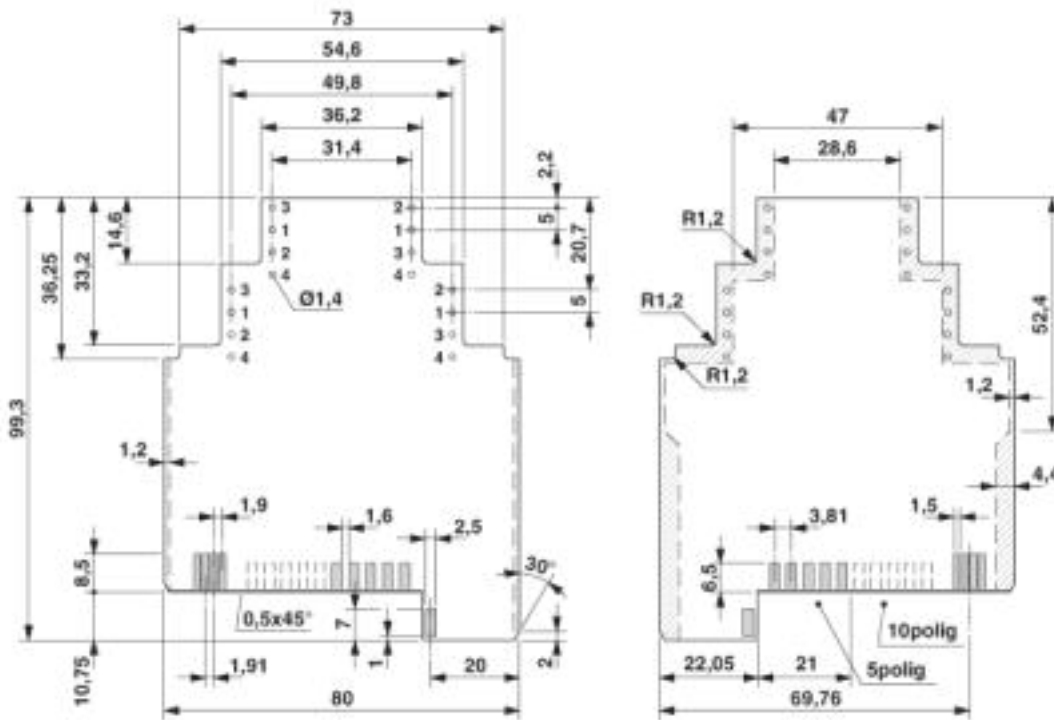


Inner housing dimensions, electronic housing ME 17,5.../BUS 5+2 and ME 17,5.../BUS 10+2



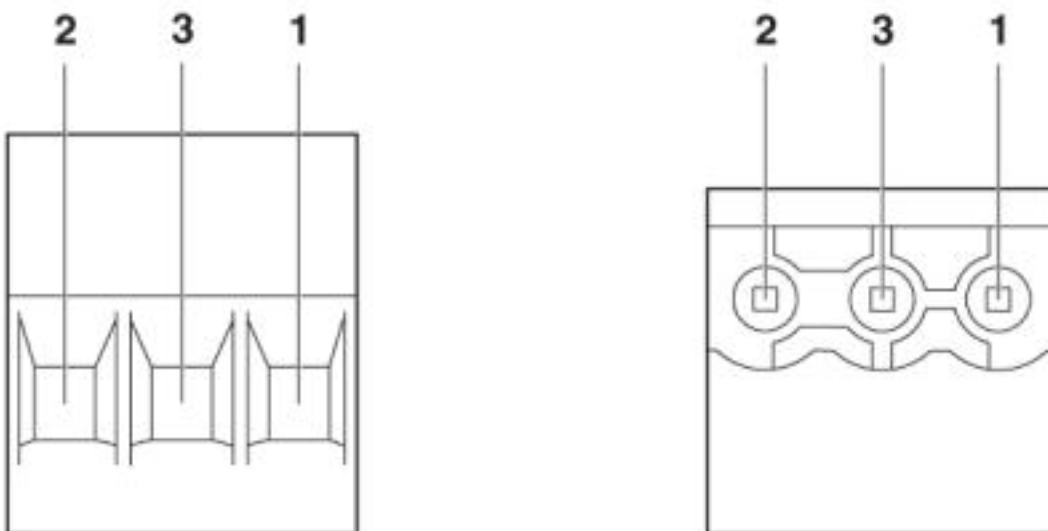
# Electronic housing - ME 17,5 UT/FE BUS/10+2 GN - 2854199

Dimensioned drawing



Dimensional drawing of the ME.../BUS 5+2 and ME.../BUS 10+2 printed circuit boards if the double-level upper part is used

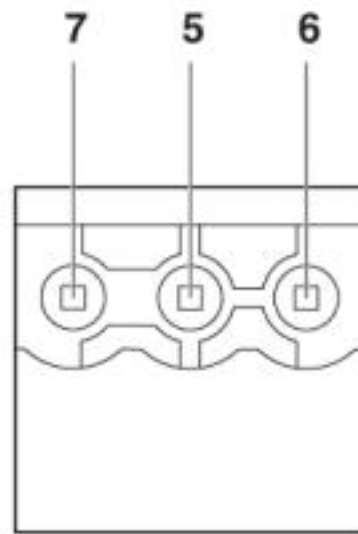
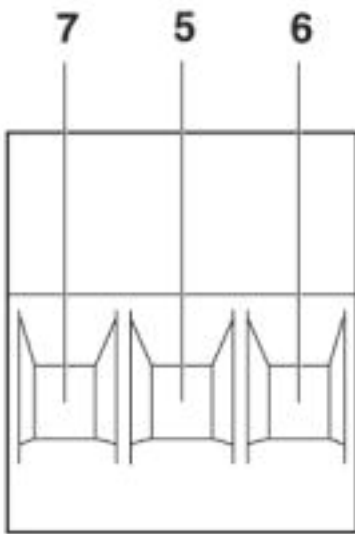
Schematic diagram



Pin assignment left

# Electronic housing - ME 17,5 UT/FE BUS/10+2 GN - 2854199

Schematic diagram



Pin assignment right

© Phoenix Contact 2013 - all rights reserved  
<http://www.phoenixcontact.com>