

Electronic housing - ME 45 UT/FE BUS/10+2 GN - 2735580

Please be informed that the data shown in this PDF Document is generated from our Online Catalog. Please find the complete data in the user's documentation. Our General Terms of Use for Downloads are valid (<http://download.phoenixcontact.com>)



Lower part of housing, integrated 10-pos. cross connection link for parallel through contacting, and 2-pos. connection link for serial contacting

Product Features

- 2 optional serial contacts (daisy chain)
- Gold contacts for data transmission and power supply (125 V, 8 A)
- Can be snapped onto standard NS 35/7,5 and NS 35/15 DIN rails
- Supply via standard MINI COMBICON plug

Key commercial data

package_quantity	10
GTIN	4017918601683

Technical data

General

Housing type	Component housing
Housing material	Polyamide
Color	green

Ambient conditions

Ambient temperature (operation)	-40 °C ... 105 °C
--	-------------------

Dimensions

Length	99 mm
Constructional height	114.5 mm
Width	45 mm

Technical data

Connection in acc. with standard	CUL
Nominal voltage U_N	300 V
Nominal current I_N	8 A
Indicator1	CUL1
Inflammability class according to UL 94	V0
Power dissipation at 20°C in the horizontal mounting position	8.2 W 16.5 W
Number of positions	32
Number of positions	8

Electronic housing - ME 45 UT/FE BUS/10+2 GN - 2735580

Technical data

classifications

eCl@ss

eCl@ss 4.0	27180401
eCl@ss 4.1	27180401
eCl@ss 5.0	27180506
eCl@ss 5.1	27180506
eCl@ss 6.0	27180802
eCl@ss 7.0	27182702
eCl@ss 8.0	27182702

ETIM

ETIM 2.0	EC001031
ETIM 3.0	EC001031
ETIM 4.0	EC001031
ETIM 5.0	EC001031


UNSPSC


UNSPSC 6.01	31261501
UNSPSC 7.0901	31261501
UNSPSC 11	31261501
UNSPSC 12.01	31261501
UNSPSC 13.2	31261501

approvals

UL Recognized / cUL Recognized / cULus Recognized /


Approval details



		
Usegroups	B	D
Nominal voltage UN	300 V	300 V
Nominal current IN	8 A	8 A
mm ² /AWG/kcmil		

Electronic housing - ME 45 UT/FE BUS/10+2 GN - 2735580

approvals

cULus Recognized  US

accessories

Coding element

CR-MSTB - 1734401



CP-MSTB - 1734634



Mounting material

ME-SAS - 2853899



ME DH27 NS 35 - 2908760



Electronic housing - ME 45 UT/FE BUS/10+2 GN - 2735580

accessories

ME DH36 NS 35 - 2909895



Filler plug

ME B-KA - 2854173



ME B-22,5 MKDSO GN - 2907143



ME B-22,5 MSTBO GN - 2907156



ME B-SA/NS 35 - 2935959



Electronic housing - ME 45 UT/FE BUS/10+2 GN - 2735580

accessories

ME B-22,5 MSTBO GN - 2907156



ME B-22,5 MKDSO GN - 2907143



ME B-KA - 2854173



ME B-SA/NS 35 - 2935959



accessories

MCVR 1,5/ 5-ST-3,81 AU - 1893203



Electronic housing - ME 45 UT/FE BUS/10+2 GN - 2735580

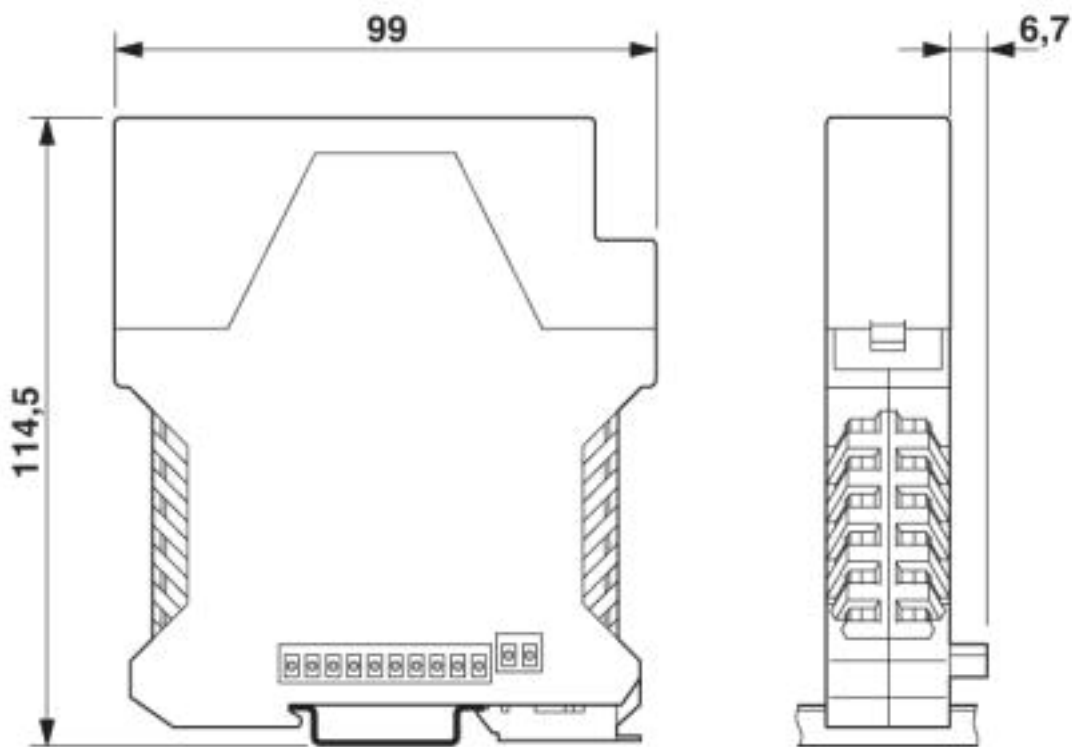
accessories

MCVR 1,5/10-ST-3,81 AU - 1893216



Drawings

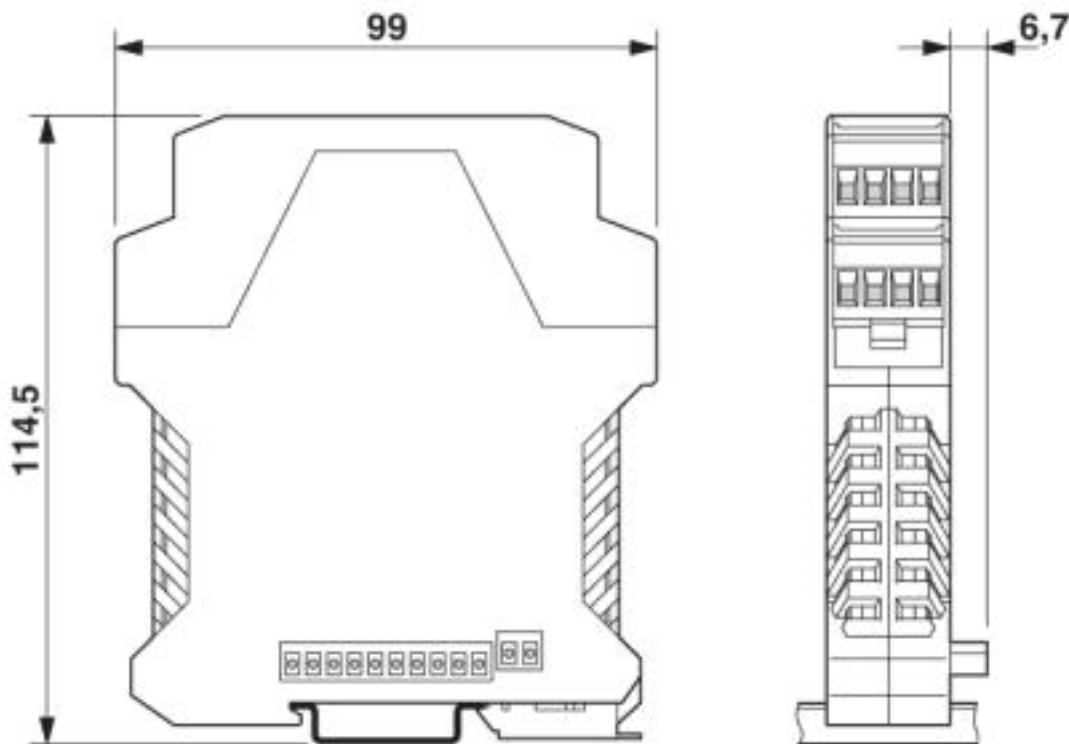
Dimensioned drawing



Dimensions of the electronics housing ME.../BUS 5+2 and ME.../BUS 10+2 with single-level upper part

Electronic housing - ME 45 UT/FE BUS/10+2 GN - 2735580

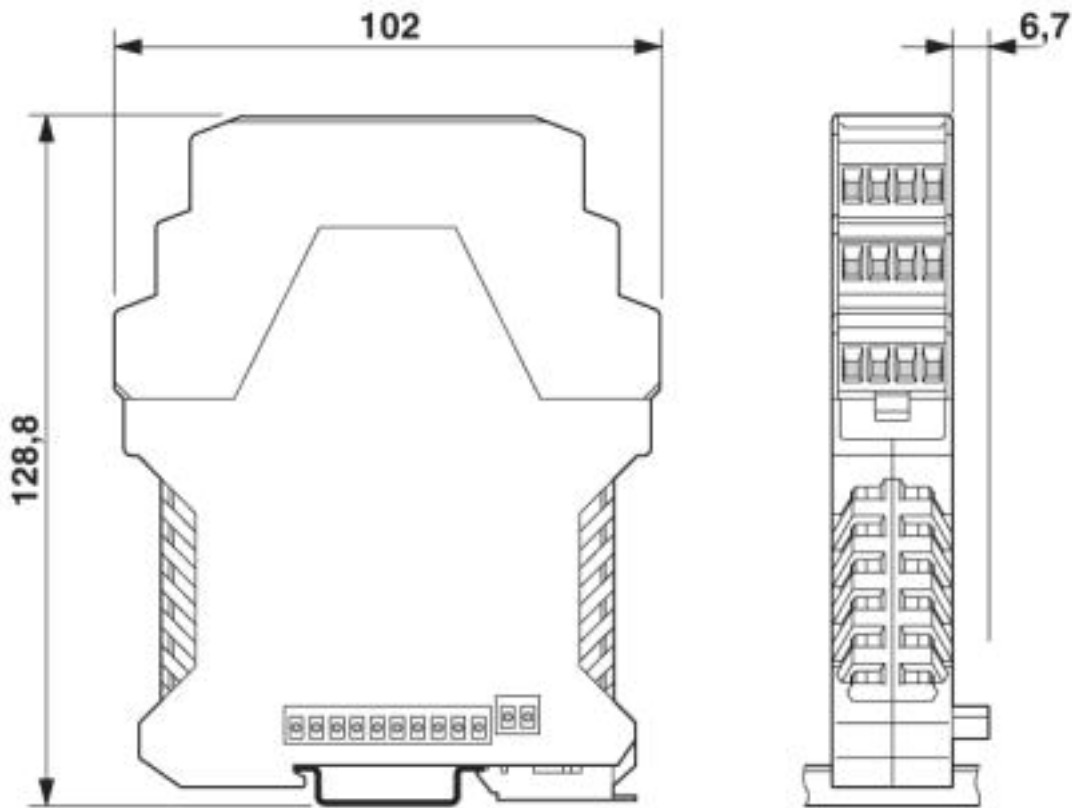
Dimensioned drawing



Dimensions of the electronics housing ME.../BUS 5+2 and ME.../BUS 10+2 with double-level upper part

Electronic housing - ME 45 UT/FE BUS/10+2 GN - 2735580

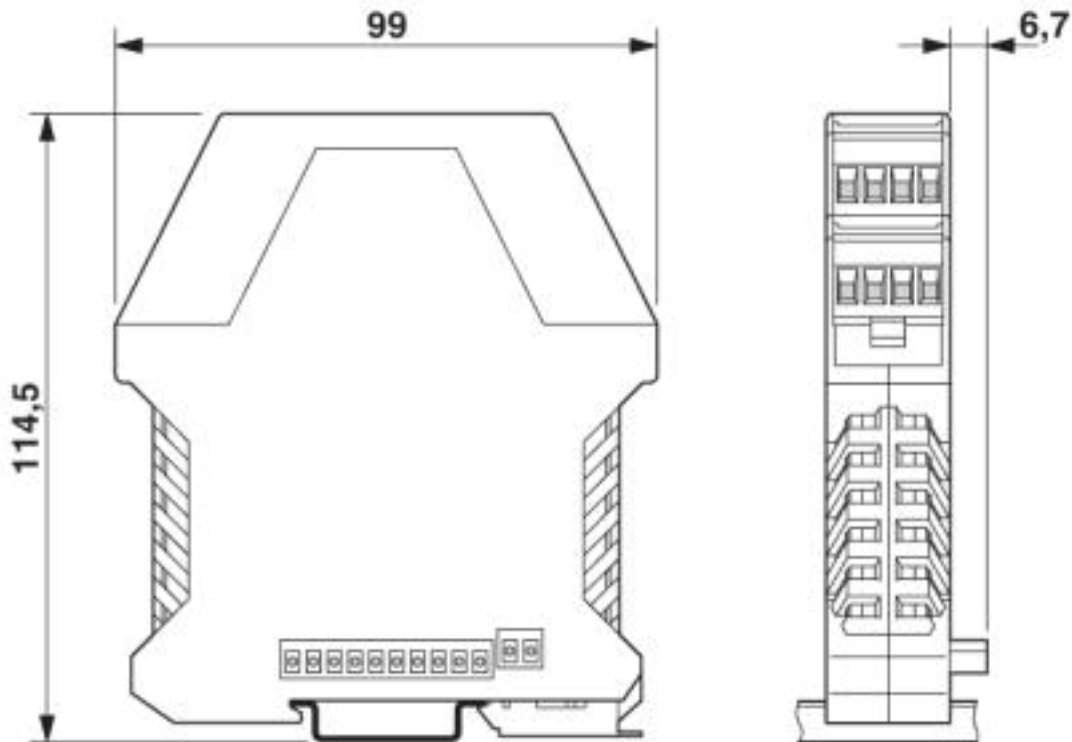
Dimensioned drawing



Dimensions of the electronics housing ME.../BUS 5+2 and ME.../BUS 10+2 with triple-level upper part

Electronic housing - ME 45 UT/FE BUS/10+2 GN - 2735580

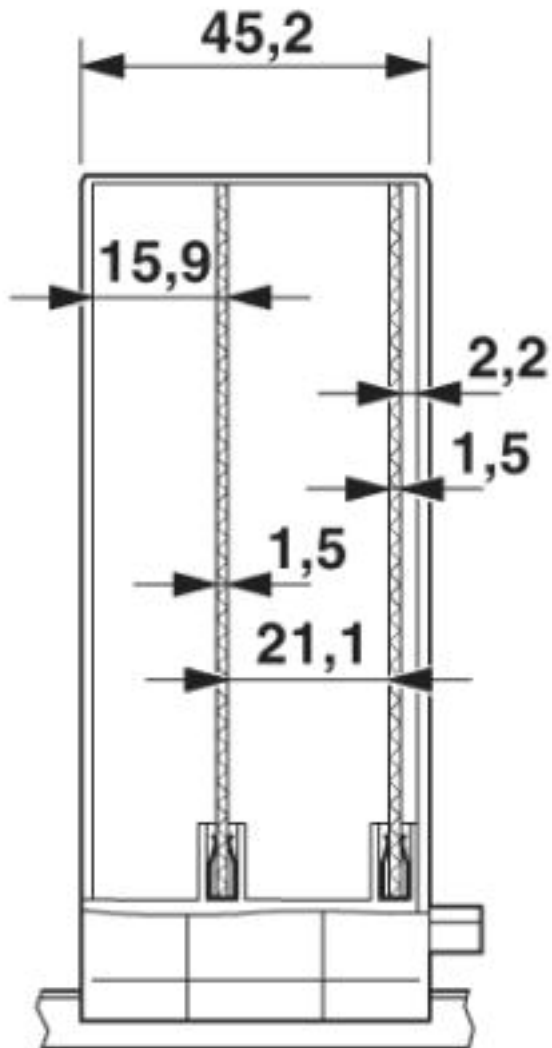
Dimensioned drawing



Dimensions of the electronics housing ME.../BUS 5+2 and ME.../BUS 10+2 with double-level upper part

Electronic housing - ME 45 UT/FE BUS/10+2 GN - 2735580

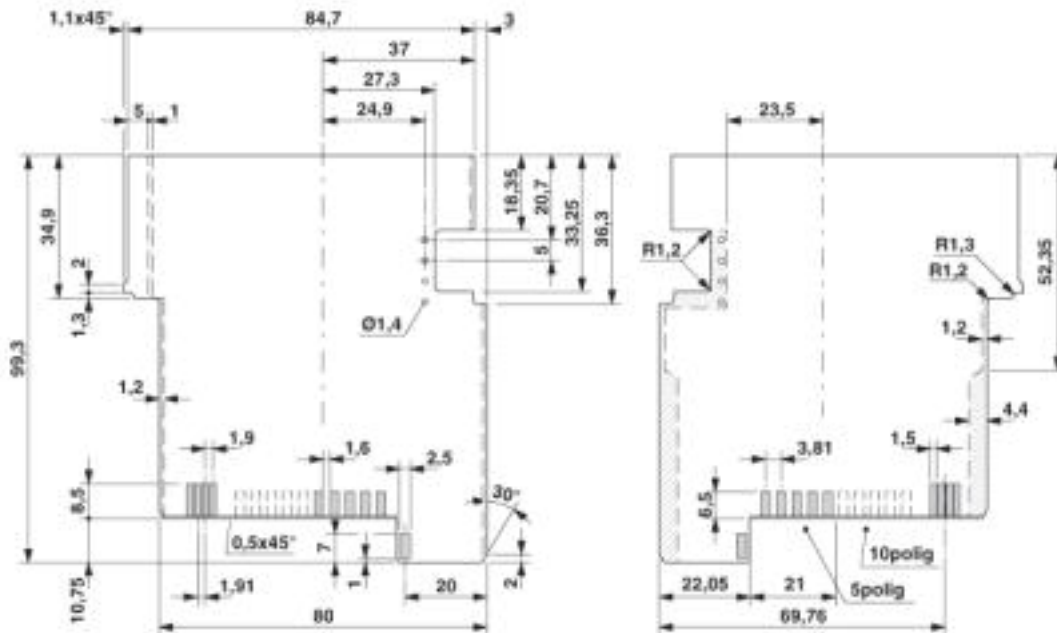
Dimensioned drawing



Inner housing dimensions, electronic housing ME 45.../BUS 5+2 and ME 45.../BUS 10+2

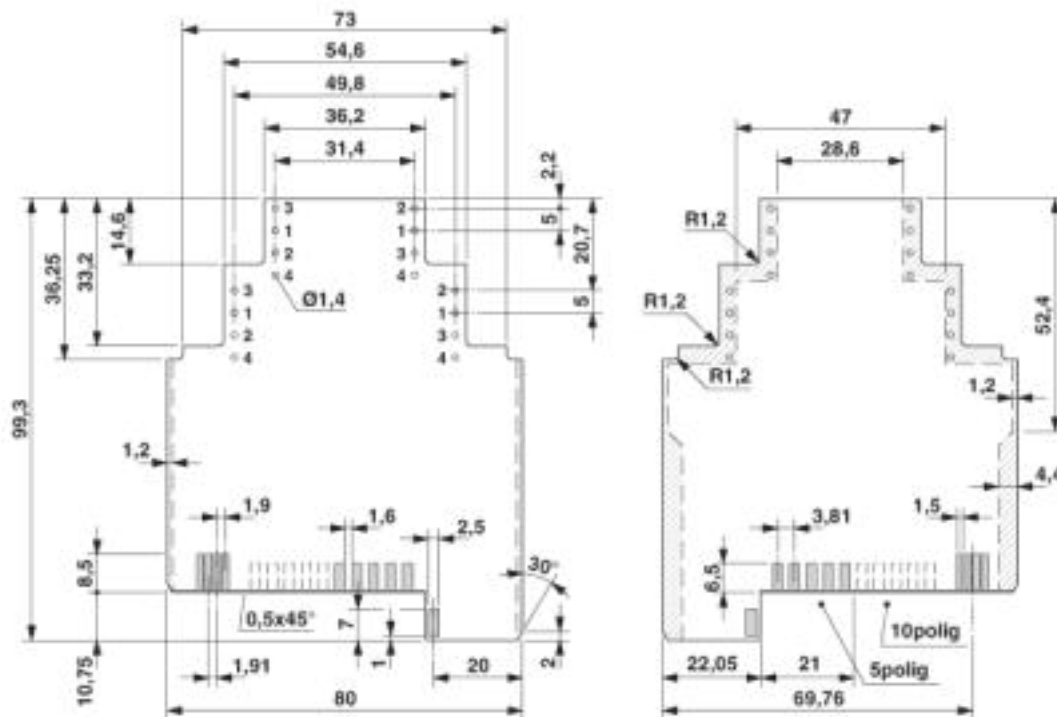
Electronic housing - ME 45 UT/FE BUS/10+2 GN - 2735580

Dimensioned drawing



Dimensional drawing of the ME.../BUS 5+2 and ME.../BUS 10+2 printed circuit boards if the single-level upper part is used

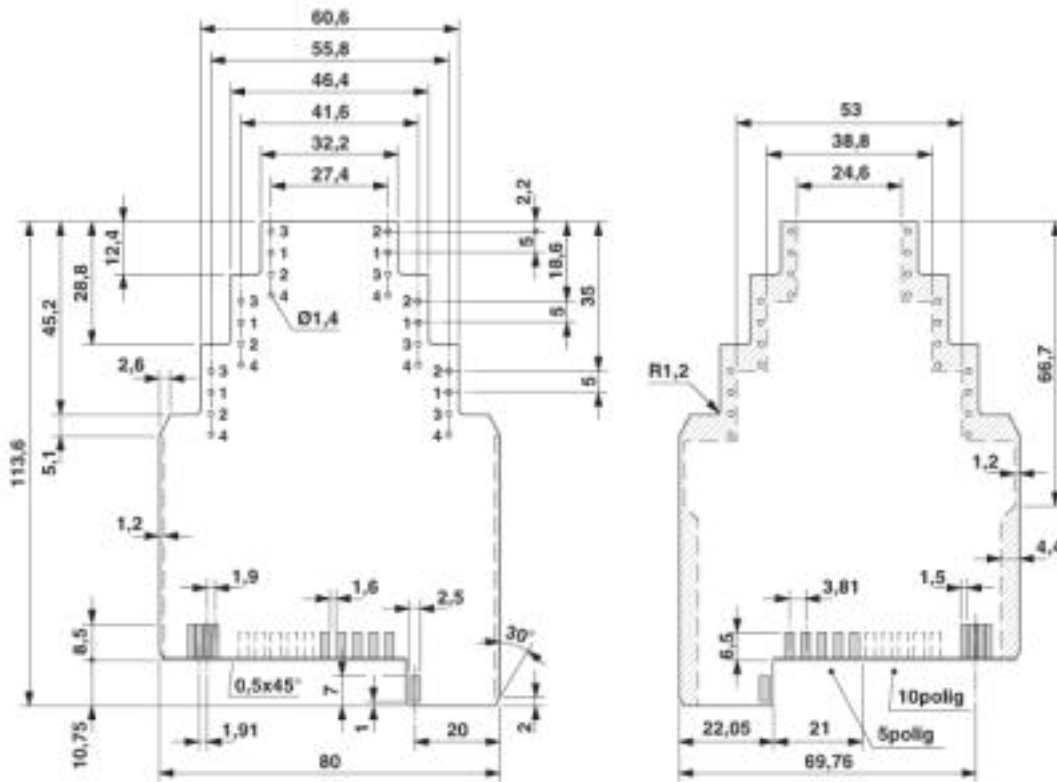
Dimensioned drawing



Dimensional drawing of the ME.../BUS 5+2 and ME.../BUS 10+2 printed circuit boards if the double-level upper part is used

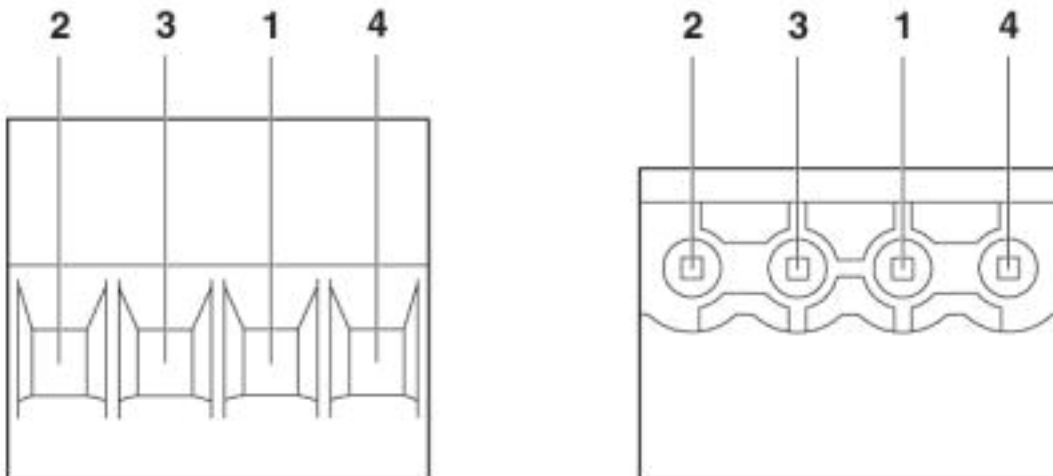
Electronic housing - ME 45 UT/FE BUS/10+2 GN - 2735580

Dimensioned drawing



Dimensional drawing of the ME.../BUS 5+2 and ME.../BUS 10+2 printed circuit boards if the triple-level upper part is used

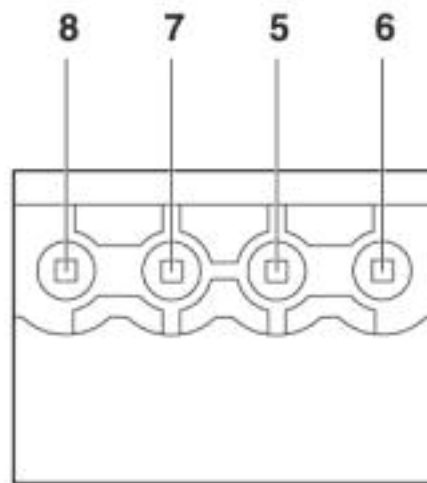
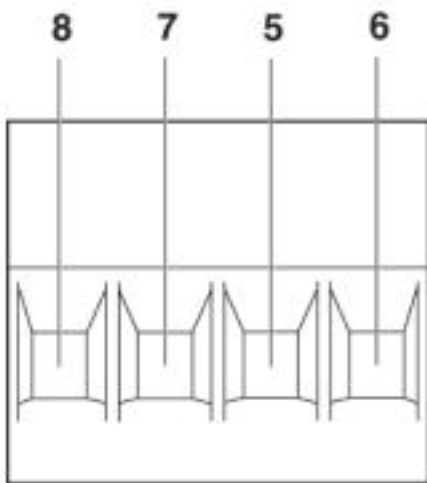
Schematic diagram



Pin assignment left

Electronic housing - ME 45 UT/FE BUS/10+2 GN - 2735580

Schematic diagram



Pin assignment right

© Phoenix Contact 2013 - all rights reserved
<http://www.phoenixcontact.com>