

Electronic housing - EG 45-AE/ABS GN - 2764409

Please be informed that the data shown in this PDF Document is generated from our Online Catalog. Please find the complete data in the user's documentation. Our General Terms of Use for Downloads are valid (<http://download.phoenixcontact.com>)



Housing cover, for connection on one side

Illustration shows a fully mounted version of the electronic housing

Product Features

- Tool-free mounting
- Practical and easy-to-wire conductor connection using extra finely stranded sturdy screw terminal blocks up to 2.5 mm²
- Optimum accommodation of electronic components with graded pitches with a design width of 22.5 mm, 45 mm, 67.5 mm, and 90 mm
- Fast snap-on mounting on symmetrical DIN rails according to EN 60715
- Functional and industry-oriented housing technology
- Date of manufacture and material and part identification embossed on the housing (recyclability)
- Shock and contamination-proof accommodation of electronic components (IP40 housing, IP20 terminal blocks)

Key commercial data

package_quantity	10
GTIN	4017918065997

Technical data

General

Housing type	Upper part
Housing material	Acryl butadiene styrene (ABS)
Color	green

Ambient conditions

Ambient temperature (operation)	80 °C
--	-------

Dimensions

Length	75 mm
Constructional height	17.5 mm
Width	45 mm

Technical data

Inflammability class according to UL 94	HB
Number of positions	16

Electronic housing - EG 45-AE/ABS GN - 2764409

classifications

eCl@ss

eCl@ss 4.0	27180401
eCl@ss 4.1	27180401
eCl@ss 5.0	27180506
eCl@ss 5.1	27180506
eCl@ss 6.0	27180802
eCl@ss 7.0	27182702
eCl@ss 8.0	27182702

ETIM

ETIM 2.0	EC001031
ETIM 3.0	EC001031
ETIM 4.0	EC001031
ETIM 5.0	EC000886

UNSPSC

UNSPSC 6.01	31261501
UNSPSC 7.0901	31261501
UNSPSC 11	31261501
UNSPSC 12.01	31261501
UNSPSC 13.2	31261501

approvals

UL Recognized /

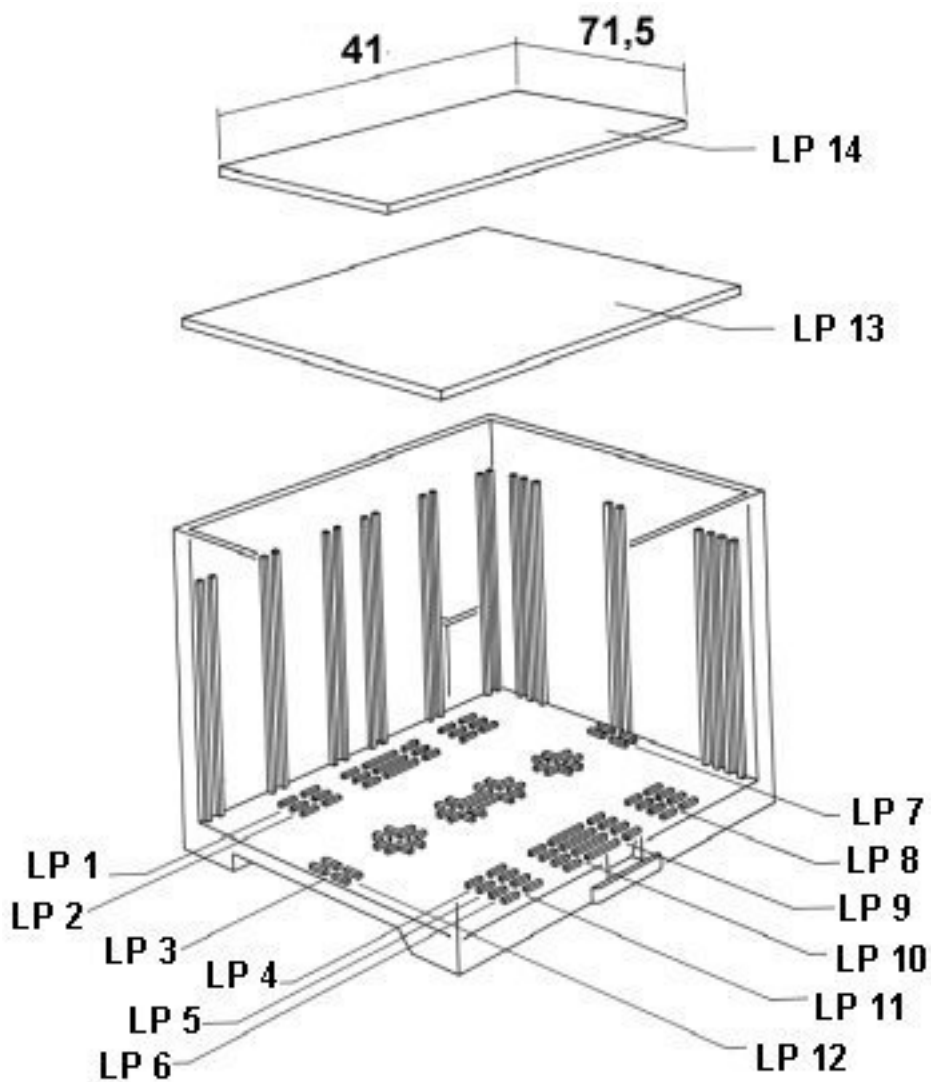
Approval details



Drawings

Electronic housing - EG 45-AE/ABS GN - 2764409

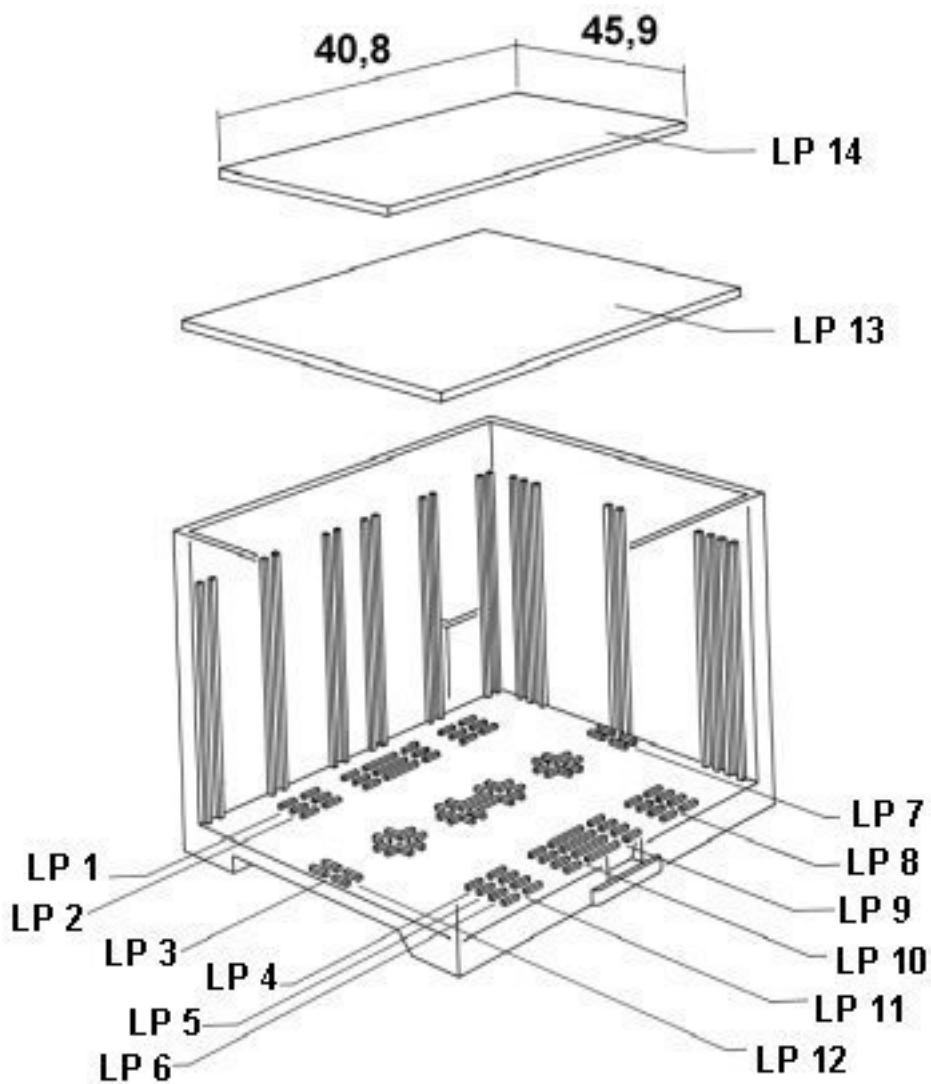
Explosion drawing



valid for PCB 13

Electronic housing - EG 45-AE/ABS GN - 2764409

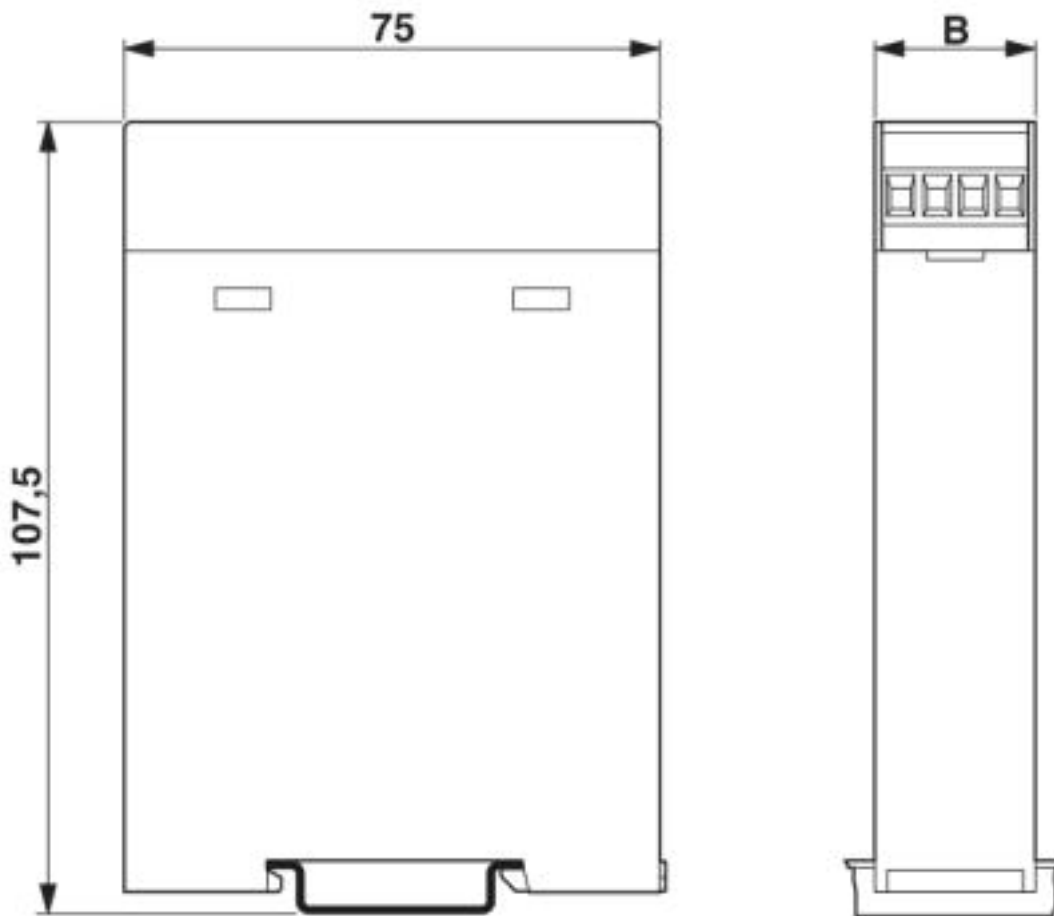
Explosion drawing



valid for PCB 14

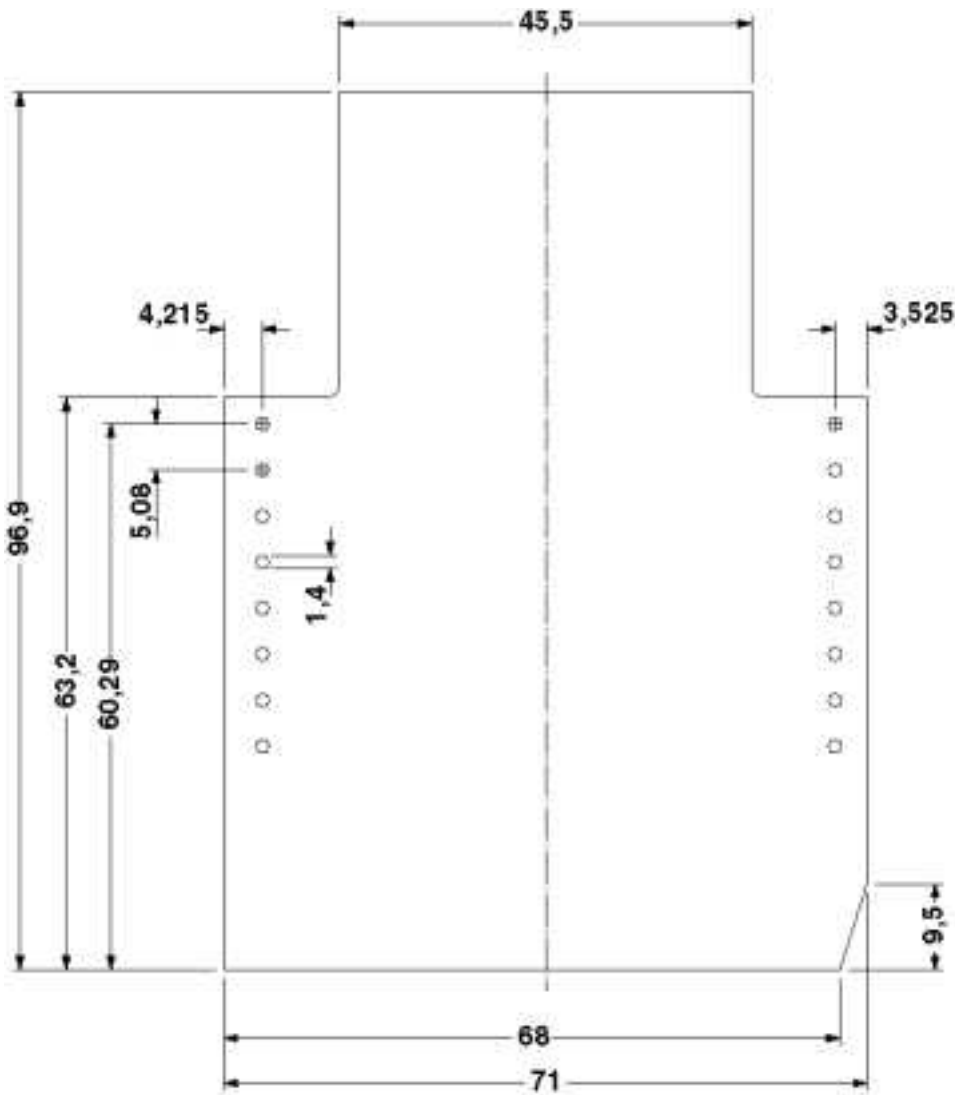
Electronic housing - EG 45-AE/ABS GN - 2764409

Dimensioned drawing



Electronic housing - EG 45-AE/ABS GN - 2764409

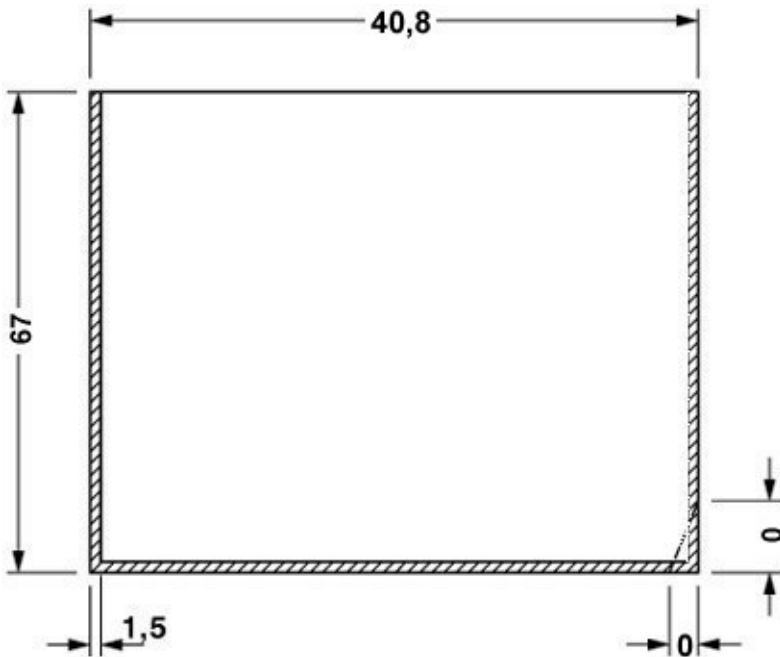
Dimensioned drawing



Component mounting side, if the double-level upper part is used

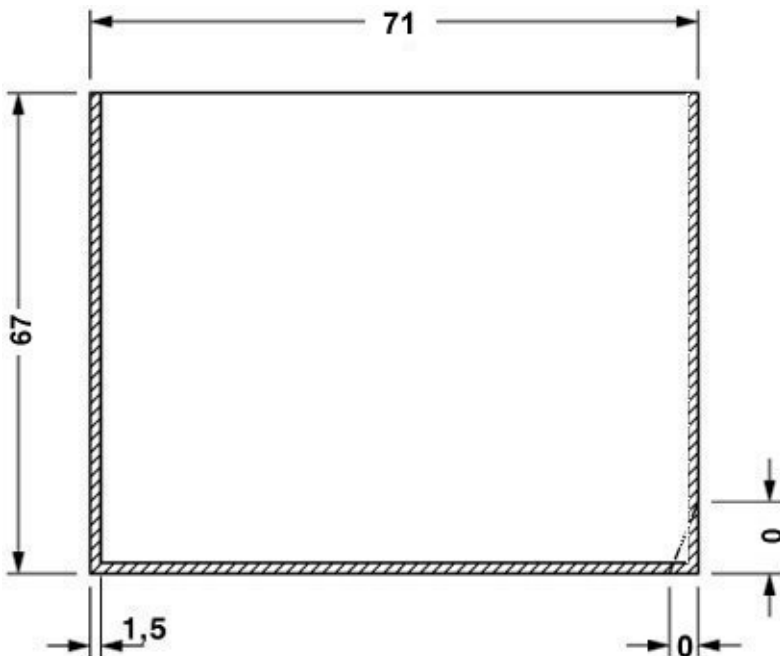
Electronic housing - EG 45-AE/ABS GN - 2764409

Dimensioned drawing



valid for PCB 1; 3; 5 and 6, see explosion drawing

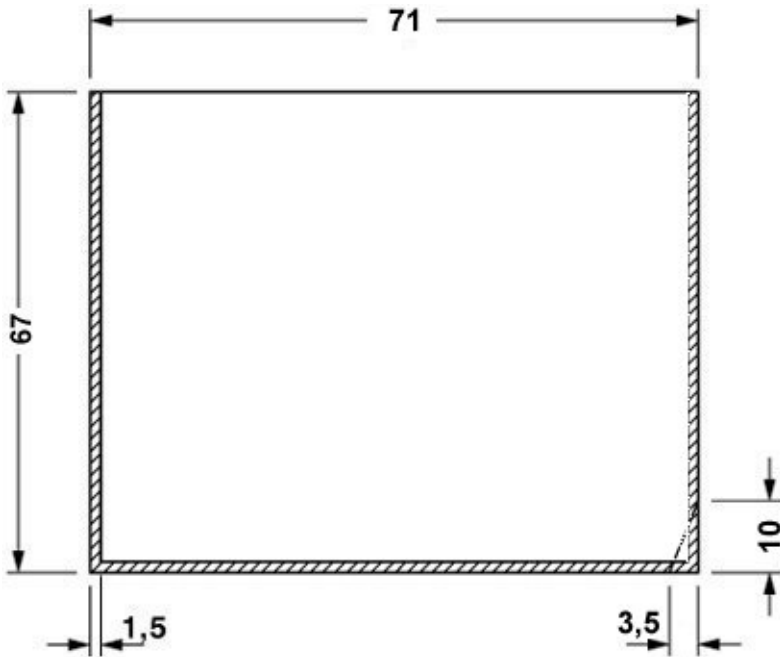
Dimensioned drawing



valid for PCB 7 and 12, see explosion drawing

Electronic housing - EG 45-AE/ABS GN - 2764409

Dimensioned drawing



valid for PCB 10, see explosion drawing

© Phoenix Contact 2013 - all rights reserved
<http://www.phoenixcontact.com>