

Electronic housing - ME 22,5 F-UT/FE GN - 2854160

Please be informed that the data shown in this PDF Document is generated from our Online Catalog. Please find the complete data in the user's documentation. Our General Terms of Use for Downloads are valid (<http://download.phoenixcontact.com>)



Housing base, with integrated functional earth ground contact

Product Features

- Tool-free mounting
- Large assembly area
- Low design width with a high number of positions
- Recessed labeling areas
- Same PCB geometry for all design widths
- Fast mounting on DIN rails according to EN 60715
- Inflammability class V0 according to UL 94
- Cost savings thanks to easy device production
- Material and part identification embossed on the housing (recyclability)
- Metal foot catch
- Optional BUS connection integrated in the housing, for either parallel or serial contacting
- Electronic components can be partially removed
- Functional earth ground contact (EMC) integrated in the housing base

Key commercial data

package_quantity	10
GTIN	4017918190194

Technical data

General

Housing type	Component housing
Housing material	Polyamide
Color	green

Ambient conditions

Ambient temperature (operation)	-40 °C ... 105 °C
--	-------------------

Dimensions

Length	99 mm
Constructional height	106 mm
Width	22.5 mm

Technical data

Electronic housing - ME 22,5 F-UT/FE GN - 2854160

Technical data

Technical data

Inflammability class according to UL 94	V0
Power dissipation at 20°C in the horizontal mounting position	5.9 W 11.5 W
Number of positions	16
Number of positions	24

classifications

eCl@ss

eCl@ss 4.0	27180401
eCl@ss 4.1	27180401
eCl@ss 5.0	27180506
eCl@ss 5.1	27180506
eCl@ss 6.0	27180802
eCl@ss 7.0	27182702
eCl@ss 8.0	27182702

ETIM

ETIM 2.0	EC001031
ETIM 3.0	EC001031
ETIM 4.0	EC001031
ETIM 5.0	EC001031

UNSPSC

UNSPSC 6.01	31261501
UNSPSC 7.0901	31261501
UNSPSC 11	31261501
UNSPSC 12.01	31261501
UNSPSC 13.2	31261501

approvals

UL Recognized /

Approval details



accessories

Coding element

Electronic housing - ME 22,5 F-UT/FE GN - 2854160

accessories

CR-MSTB - 1734401



CP-MSTB - 1734634



Mounting material

ME-SAS - 2853899



ME LPZS - 2906911



Filler plug

ME B-22,5 MKDSO GN - 2907143



Electronic housing - ME 22,5 F-UT/FE GN - 2854160

accessories

ME B-22,5 MSTBO GN - 2907156



ME B-12,5 3MSTBO GN - 2709176



ME B-22,5 MKDSO GN - 2907143



ME B-22,5 MSTBO GN - 2907156



ME B-SA/NS 35 - 2935959



ME B-KA - 2854173



Electronic housing - ME 22,5 F-UT/FE GN - 2854160

accessories

Printed circuit board housing

MSTBO 2,5/ 4-G1R - 1861073

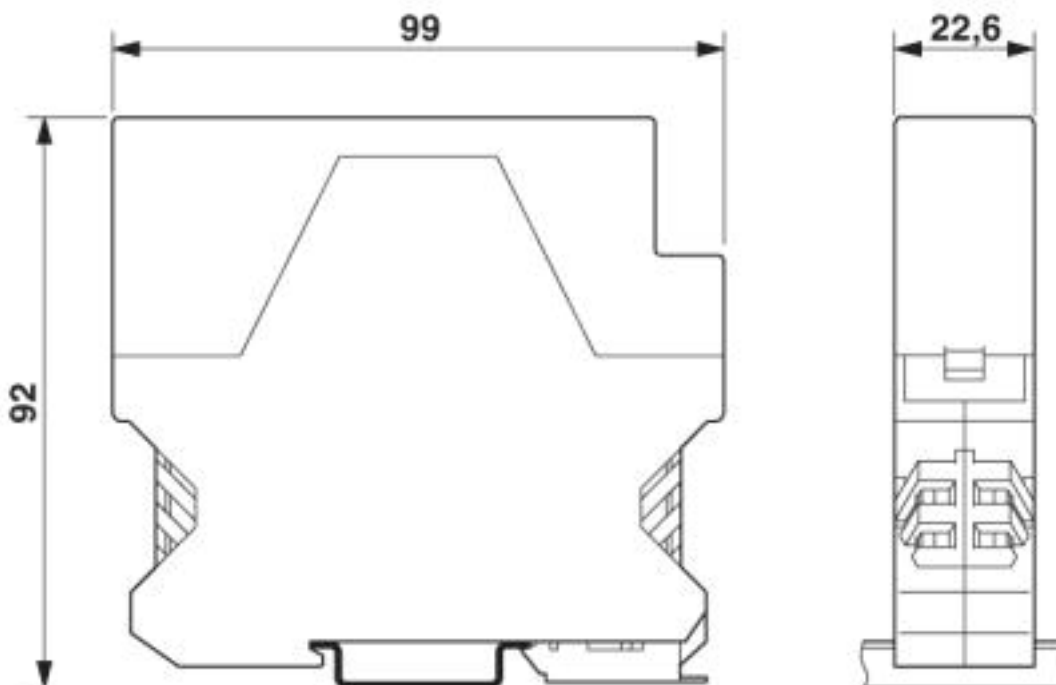


MSTBO 2,5/ 4-G1L - 1861060



Drawings

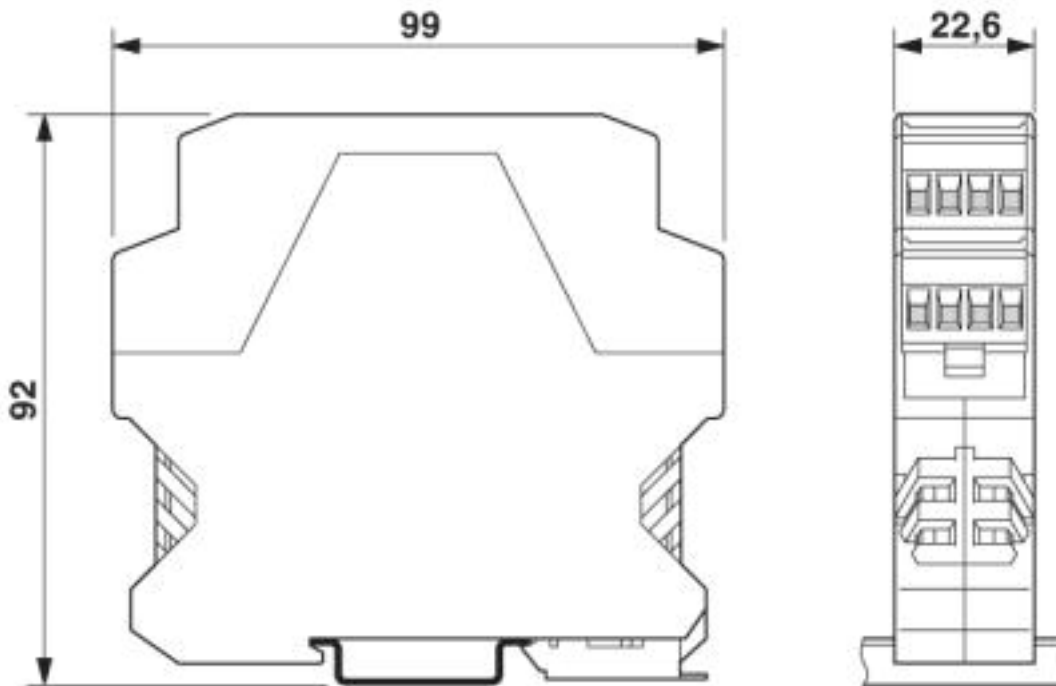
Dimensioned drawing



Dimensions of the electronic housing ME 22.5 flat... with single-level upper part

Electronic housing - ME 22,5 F-UT/FE GN - 2854160

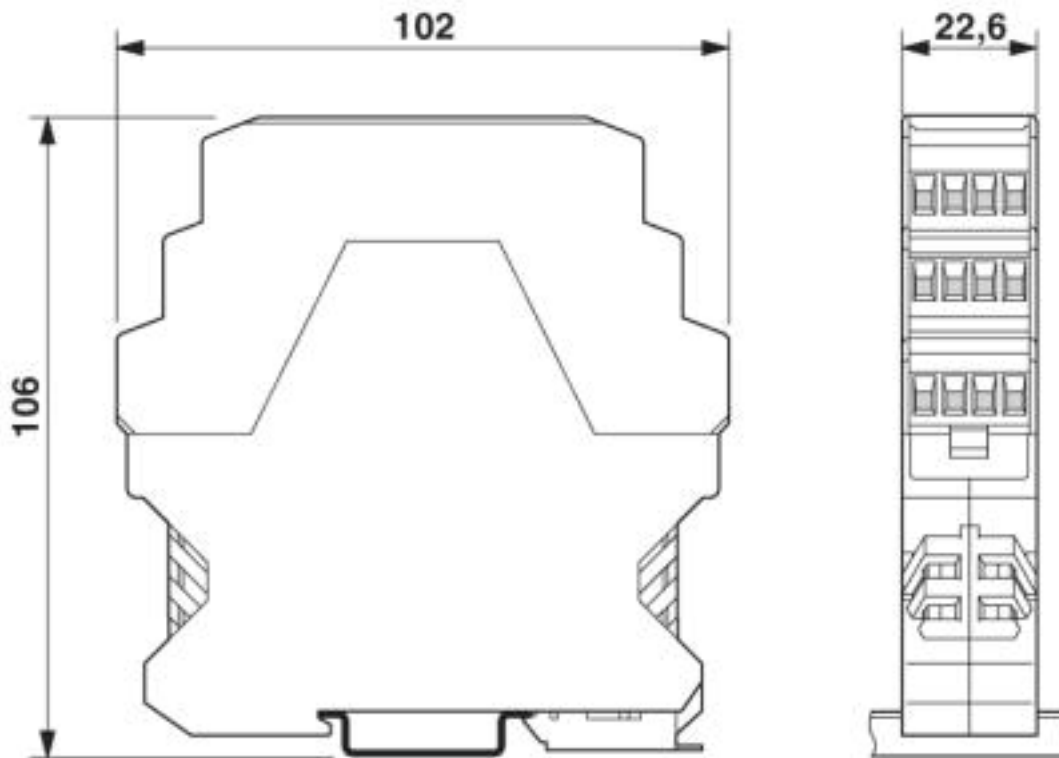
Dimensioned drawing



Dimensions of the electronic housing ME 22.5 flat... with double-level upper part

Electronic housing - ME 22,5 F-UT/FE GN - 2854160

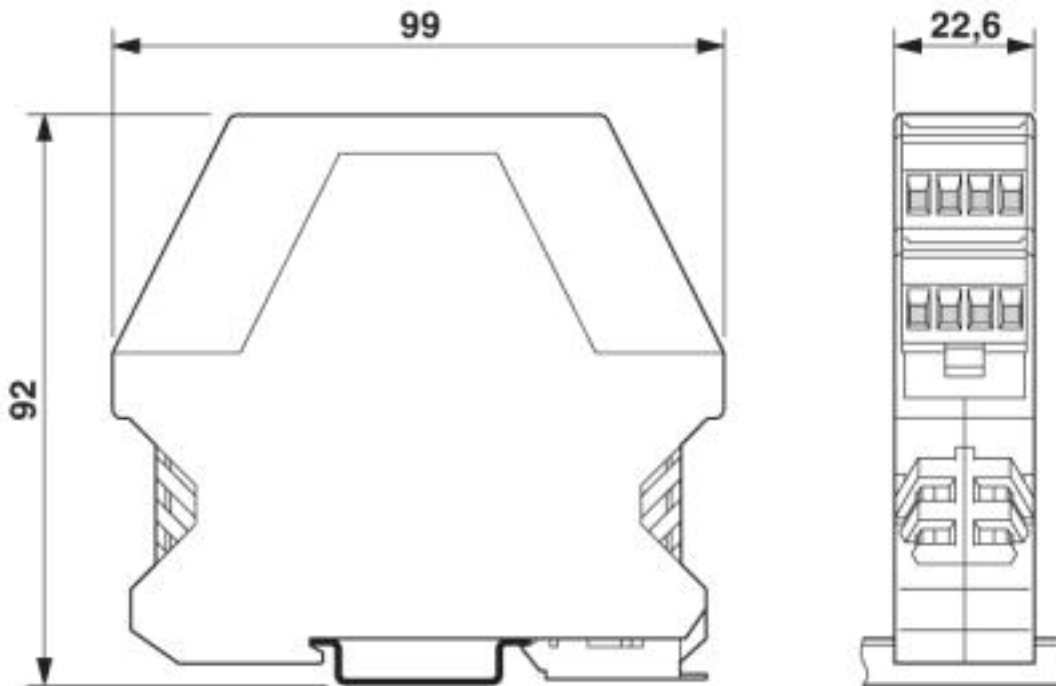
Dimensioned drawing



Dimensions of the electronic housing ME 22.5 flat... with triple-level upper part

Electronic housing - ME 22,5 F-UT/FE GN - 2854160

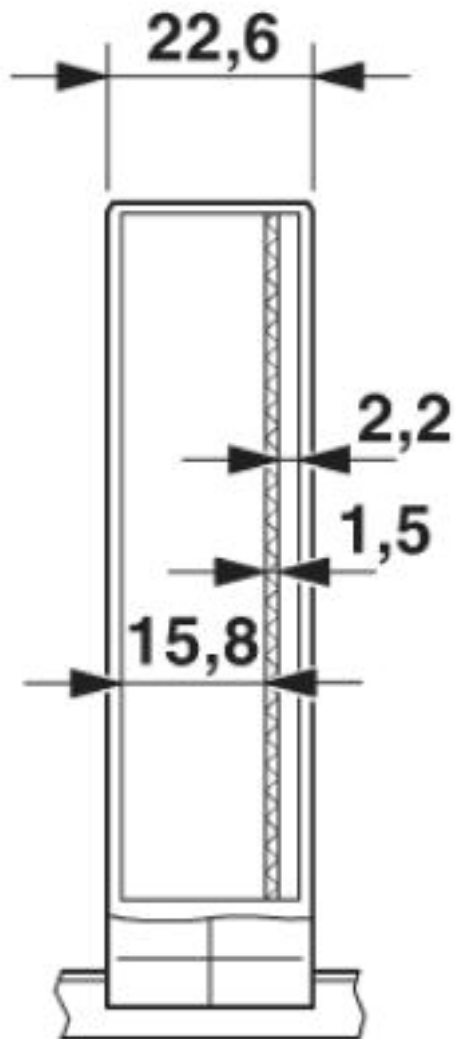
Dimensioned drawing



Dimensions of the electronic housing ME 22.5 flat... with double-level upper part

Electronic housing - ME 22,5 F-UT/FE GN - 2854160

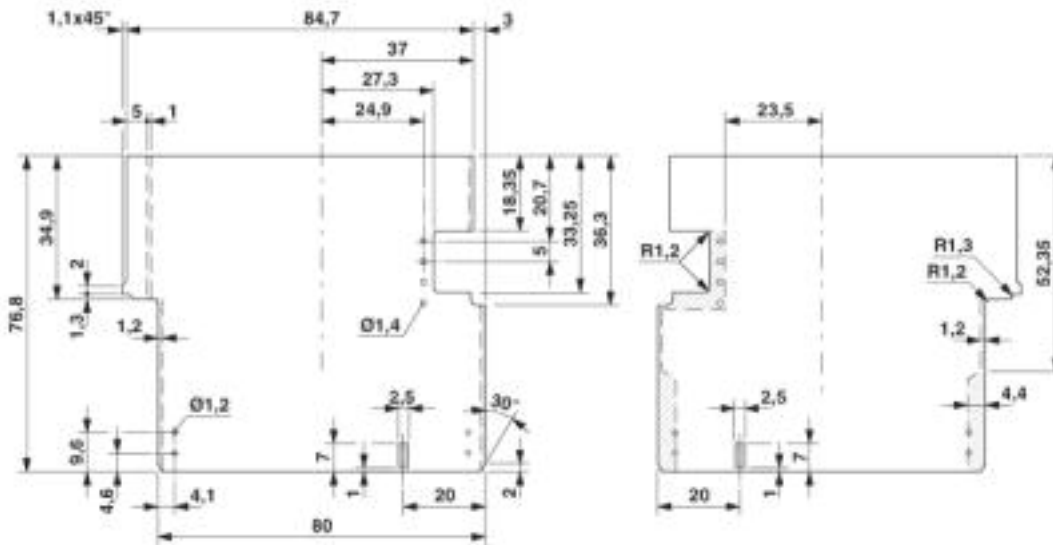
Dimensioned drawing



Internal housing dimensions, electronics housing ME 22.5 flat...

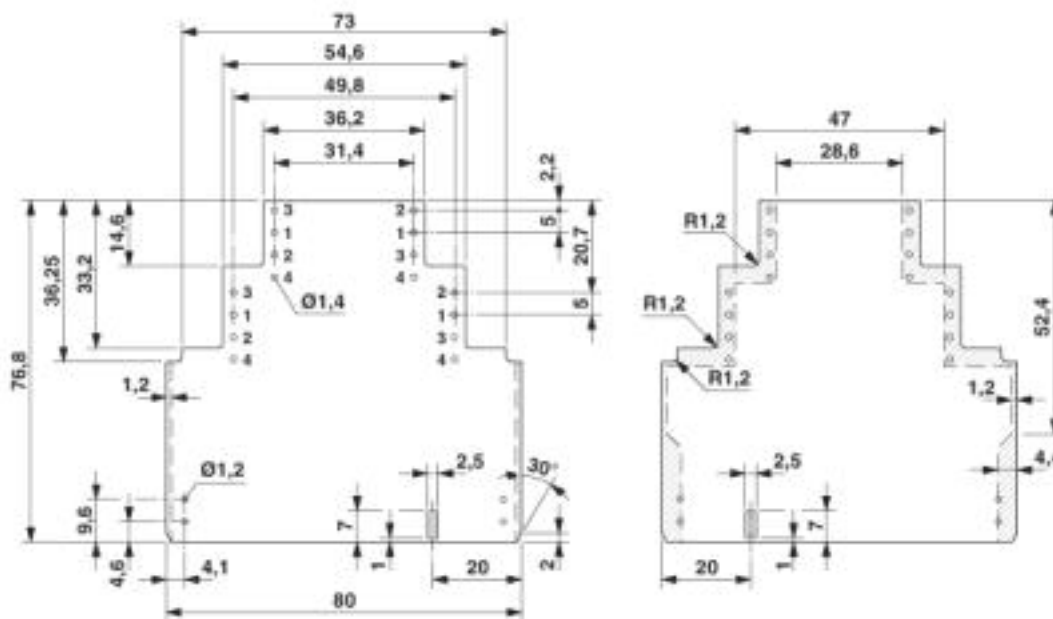
Electronic housing - ME 22,5 F-UT/FE GN - 2854160

Dimensioned drawing



Dimensional drawing of the ME 22.5 flat... printed circuit board if the single-level upper part is used

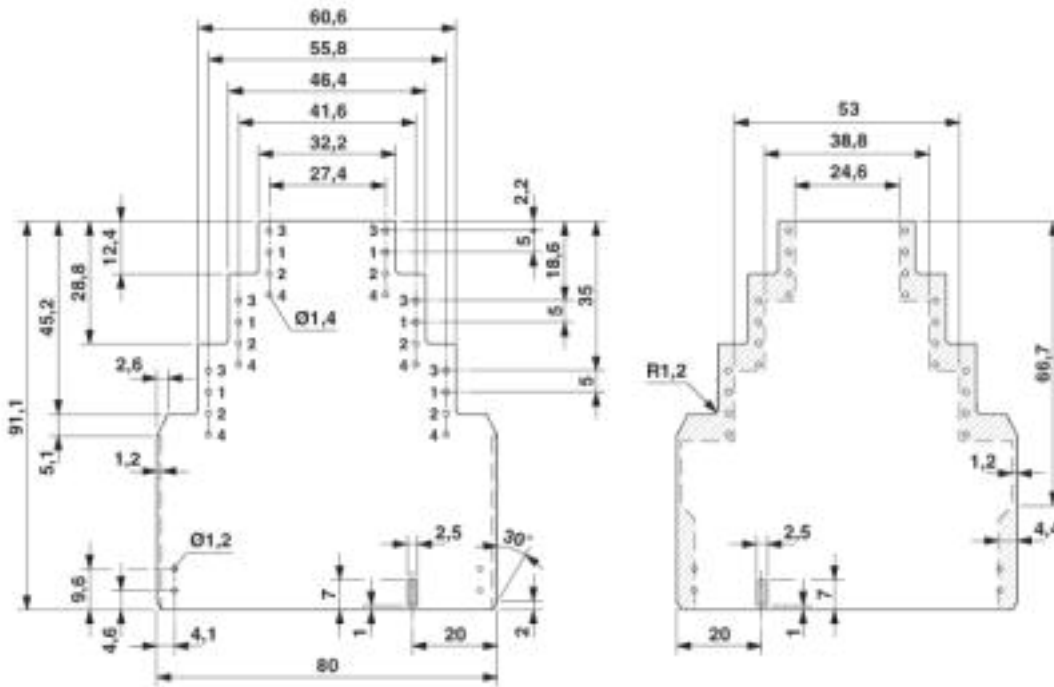
Dimensioned drawing



Dimensional drawing of the ME 22.5 flat... printed circuit board if the double level upper part is used

Electronic housing - ME 22,5 F-UT/FE GN - 2854160

Dimensioned drawing



Dimensional drawing of the ME 22.5 flat... printed circuit board if the triple-level upper part is used

© Phoenix Contact 2013 - all rights reserved
<http://www.phoenixcontact.com>