

## Cable housing - KGS-PC 4/12-F - 1837418

Please be informed that the data shown in this PDF Document is generated from our Online Catalog. Please find the complete data in the user's documentation. Our General Terms of Use for Downloads are valid (<http://download.phoenixcontact.com>)



Cable housing, Pitch: 0 mm, Number of positions: 12, Dimension a: 93.24 mm, Color: green

The illustration shows an 10-position version

### Product Features

- Ergonomic cable housing for standard PC 4 plugs with screw connection
- A cable clamp can be mounted back to front
- KGG-PC 4 for cable diameters from 4 to 13.5 mm<sup>2</sup>
- KGS-PC 4 (angled cable outlet) for cable diameters from 6 to 16 mm<sup>2</sup>

### Key commercial data

<b>package_quantity</b>	10
<b>GTIN</b>	4017918105174

### Technical data

#### Dimensions

<b>Pitch</b>	0 mm
<b>Dimension a</b>	93.24 mm

#### General

<b>Range of articles</b>	KGS-PC 4/...-F
<b>Insulating material group</b>	0
<b>Insulating material</b>	ABS
<b>Inflammability class according to UL 94</b>	HB
<b>Number of positions</b>	12

### classifications

#### eCl@ss

<b>eCl@ss 4.0</b>	272607xx
<b>eCl@ss 4.1</b>	27260701
<b>eCl@ss 5.0</b>	27260701
<b>eCl@ss 5.1</b>	27260701
<b>eCl@ss 6.0</b>	27260704
<b>eCl@ss 7.0</b>	27440402

# Cable housing - KGS-PC 4/12-F - 1837418

## classifications

### eCl@ss

eCl@ss 8.0	27440402
------------	----------

### ETIM

ETIM 3.0	EC000058
ETIM 4.0	EC000437
ETIM 5.0	EC000451

### UNSPSC

UNSPSC 6.01	30211810
UNSPSC 7.0901	39121409
UNSPSC 11	39121409
UNSPSC 12.01	39121409
UNSPSC 13.2	39121409

## approvals

---

GOST /

---

### Approval details



## accessories

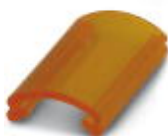
### Terminal marking

SBS 2,5/7,5 - 1007604



## accessories

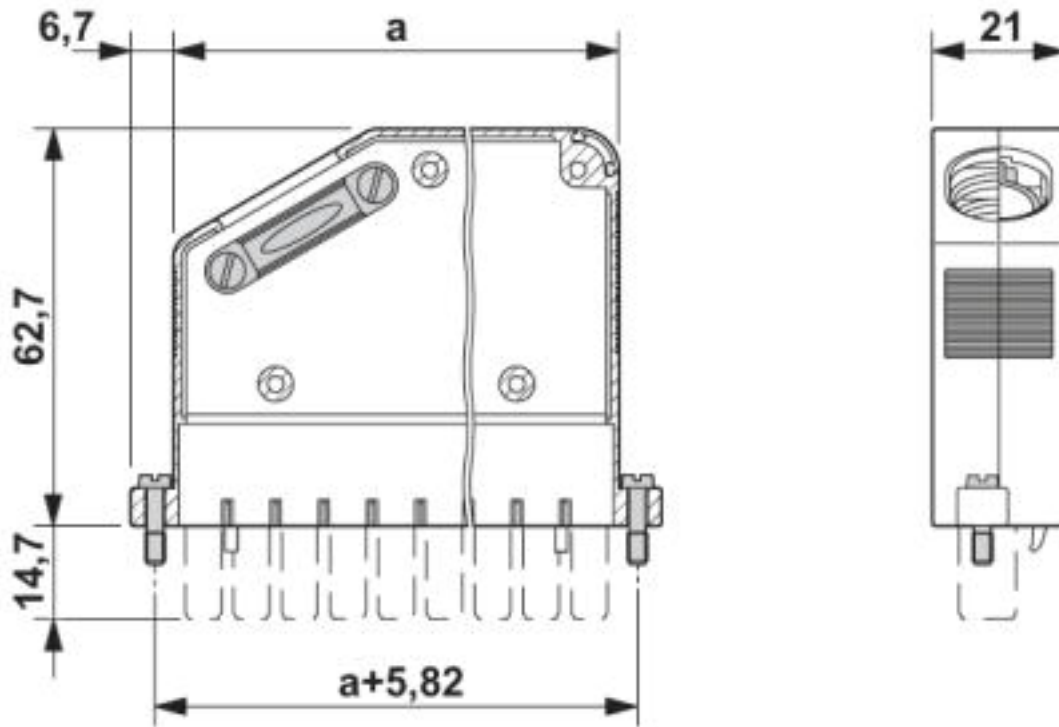
KGS-MSTB 2,5/ DST - 1784914



# Cable housing - KGS-PC 4/12-F - 1837418

## Drawings

Dimensioned drawing



© Phoenix Contact 2013 - all rights reserved  
<http://www.phoenixcontact.com>