

# Electronic housing - ME 22,5 UT TBUS KMGY - 2869524

Please be informed that the data shown in this PDF Document is generated from our Online Catalog. Please find the complete data in the user's documentation. Our General Terms of Use for Downloads are valid (<http://download.phoenixcontact.com>)



Lower housing part with vents, design width 22.5 mm, fully assembled, without bus connector

## Product Features

- Gold contacts for data transmission and power supply (125 V, 8 A)
- ME...TBUS connector with 5 parallel contacts can be snapped onto DIN rails to save space
- When a device is unplugged from the system as a whole, the signal chain is not interrupted# Supply via standard MINI COMBICON plug

## Key commercial data

<b>package_quantity</b>	10
<b>GTIN</b>	4017918937010

## Technical data

### General

<b>Housing type</b>	Component housing
<b>Housing material</b>	Polyamide
<b>Color</b>	light gray

### Dimensions

<b>Length</b>	99 mm
<b>Constructional height</b>	114.5 mm
<b>Width</b>	22.5 mm

### Technical data

<b>Inflammability class according to UL 94</b>	V0
<b>Power dissipation at 20°C in the horizontal mounting position</b>	6.1 W 12.1 W
<b>Number of positions</b>	16
<b>Number of positions</b>	4
<b>Number of positions</b>	24

## classifications

### eCl@ss

<b>eCl@ss 4.0</b>	27180401
<b>eCl@ss 4.1</b>	27180401

# Electronic housing - ME 22,5 UT TBUS KMGY - 2869524

## classifications

### eCl@ss

eCl@ss 5.0	27180506
eCl@ss 5.1	27180506
eCl@ss 6.0	27180802
eCl@ss 7.0	27182702
eCl@ss 8.0	27182702

### ETIM

ETIM 2.0	EC001031
ETIM 3.0	EC001031
ETIM 4.0	EC001031
ETIM 5.0	EC001031

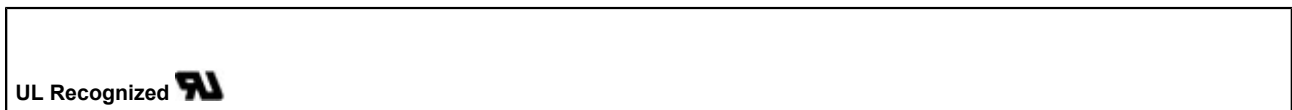
### UNSPSC

UNSPSC 6.01	31261501
UNSPSC 7.0901	31261501
UNSPSC 11	31261501
UNSPSC 12.01	31261501
UNSPSC 13.2	31261501

## approvals

UL Recognized /

### Approval details



## accessories

### Coding element

CR-MSTB - 1734401



## Electronic housing - ME 22,5 UT TBUS KMGY - 2869524

accessories

CP-MSTB - 1734634



---

### Mounting material

ME-SAS - 2853899



ME LPZS - 2906911



---

### Filler plug

ME B-22,5 MSTBO KMGY - 2907965



ME B-22,5 MKDSO KMGY - 2908498



# Electronic housing - ME 22,5 UT TBUS KMGY - 2869524

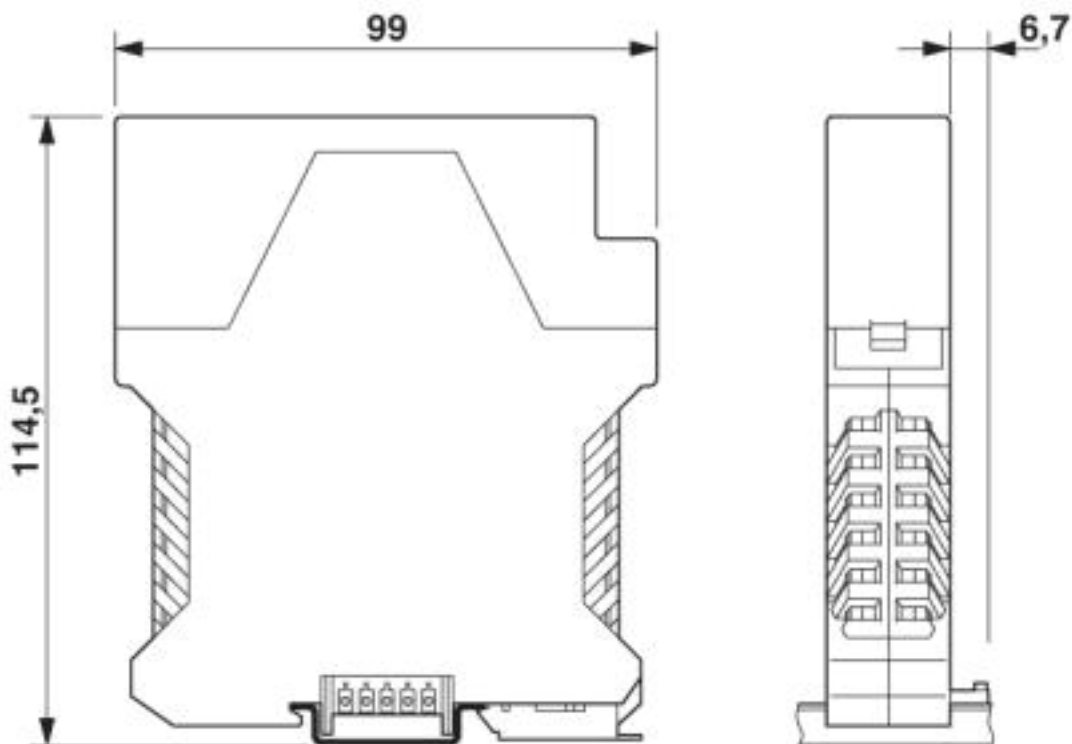
accessories

ME B-12,5 3MSTBO GN - 2709176



## Drawings

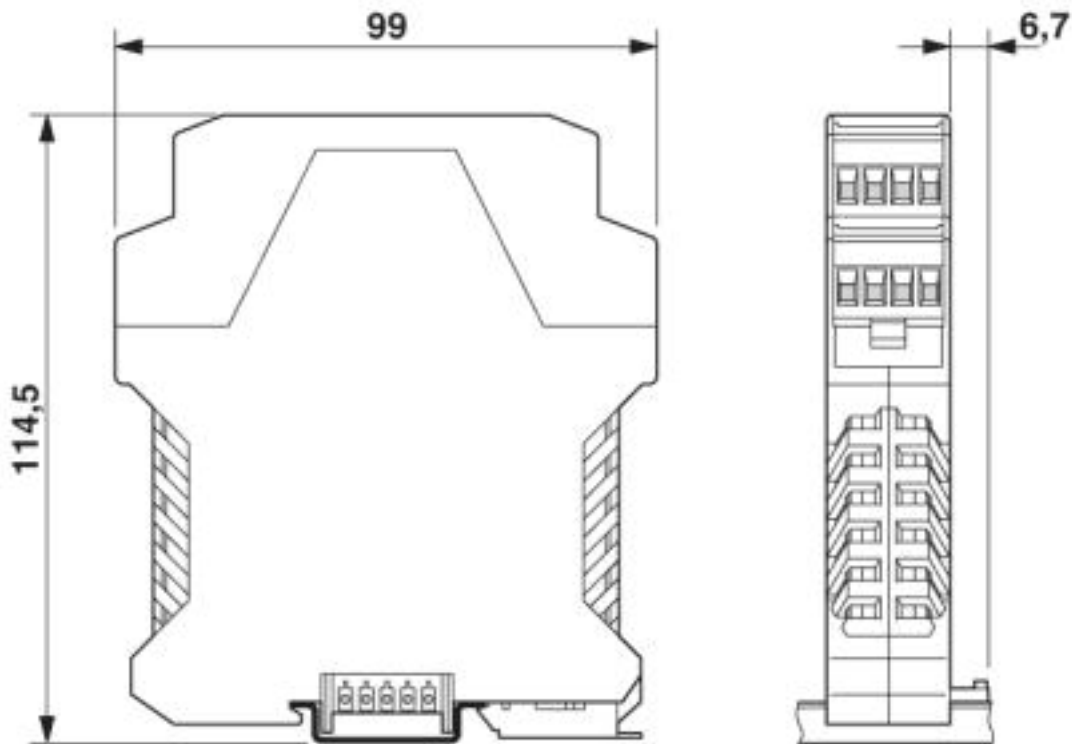
Dimensioned drawing



Dimensions of the electronic housing ME...TBUS... with single-level upper part

# Electronic housing - ME 22,5 UT TBUS KMGY - 2869524

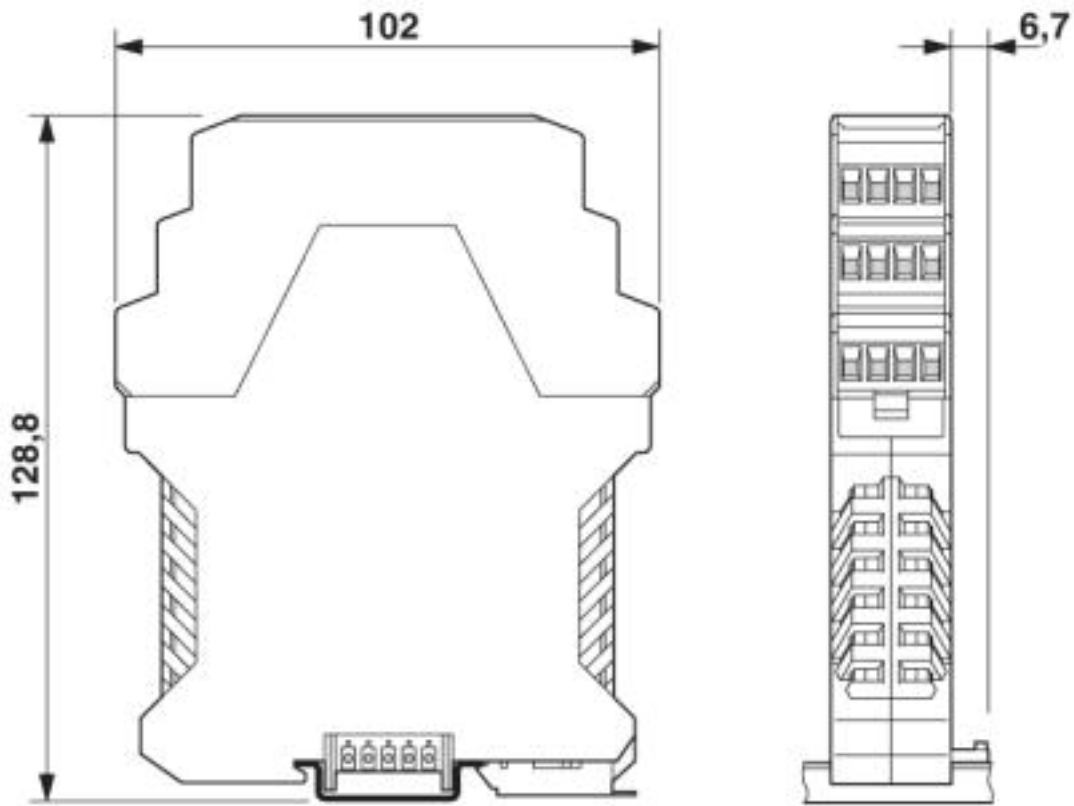
Dimensioned drawing



Dimensions of the electronic housing ME...TBUS... with double-level upper part

# Electronic housing - ME 22,5 UT TBUS KMGY - 2869524

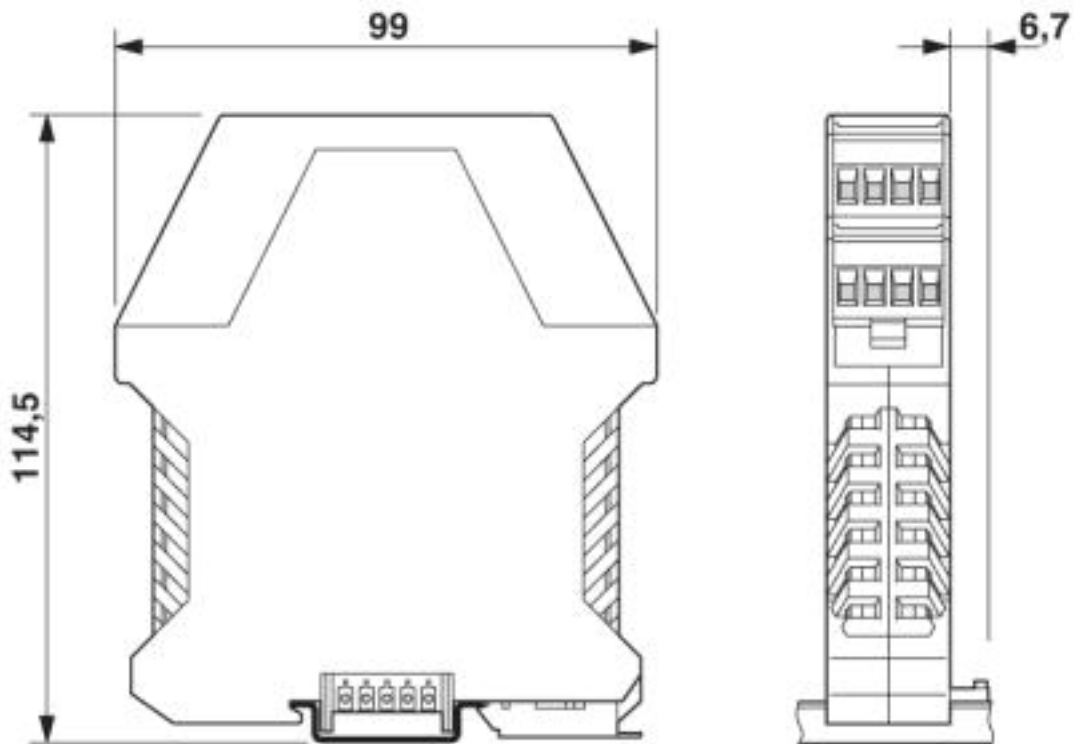
Dimensioned drawing



Dimensions of the electronic housing ME...TBUS... with triple-level upper part

# Electronic housing - ME 22,5 UT TBUS KMGY - 2869524

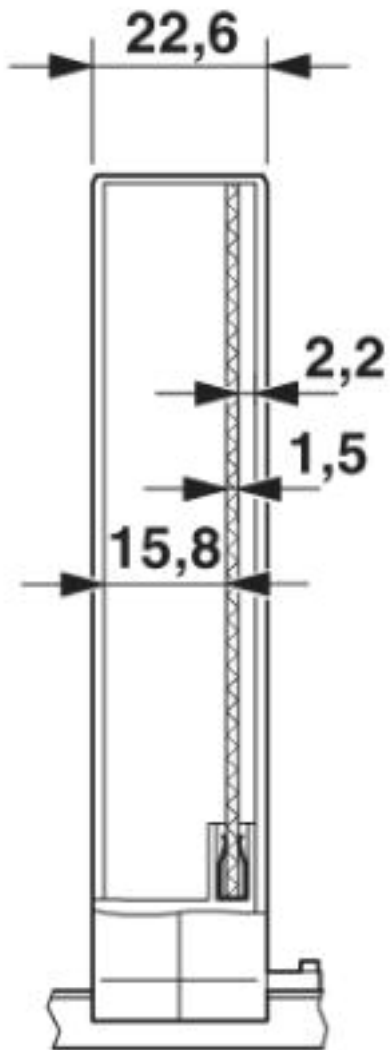
Dimensioned drawing



Dimensions of the electronic housing ME...TBUS... with double-level upper part

# Electronic housing - ME 22,5 UT TBUS KMGY - 2869524

Dimensioned drawing

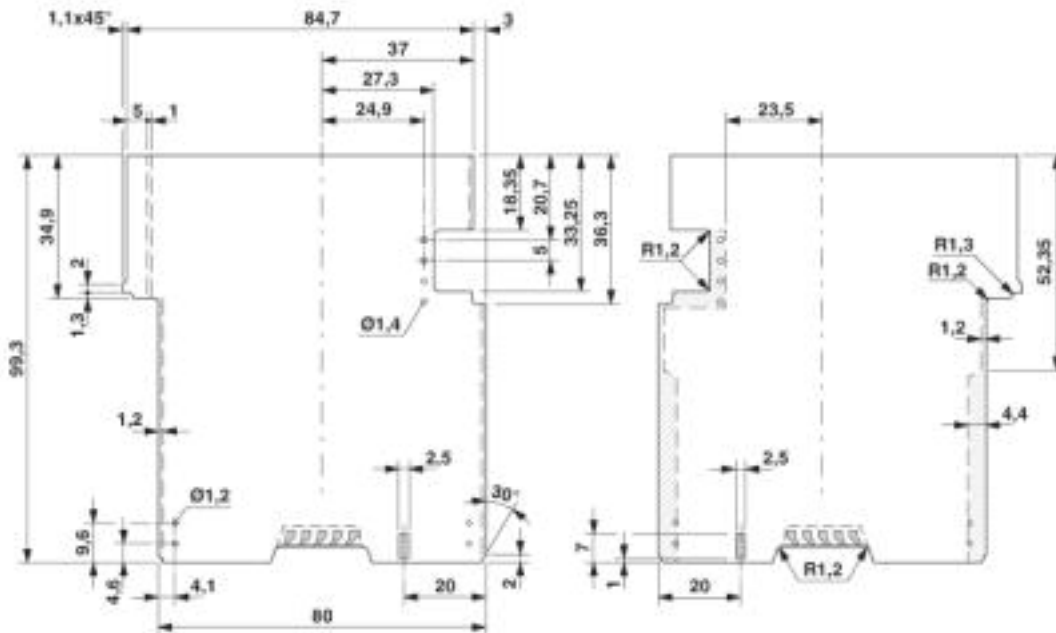


Internal housing dimensions, electronics housing ME 22.5 TBUS...



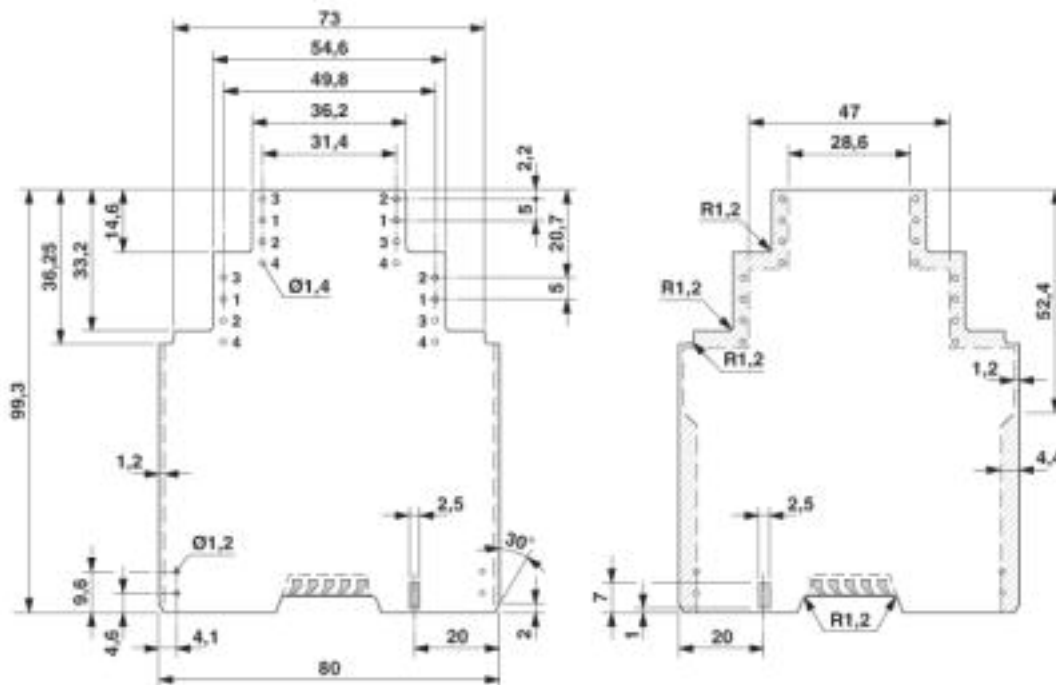
# Electronic housing - ME 22,5 UT TBUS KMGY - 2869524

Dimensioned drawing



Dimensional drawing of the ME.../TBUS printed circuit board if the single level upper part is used

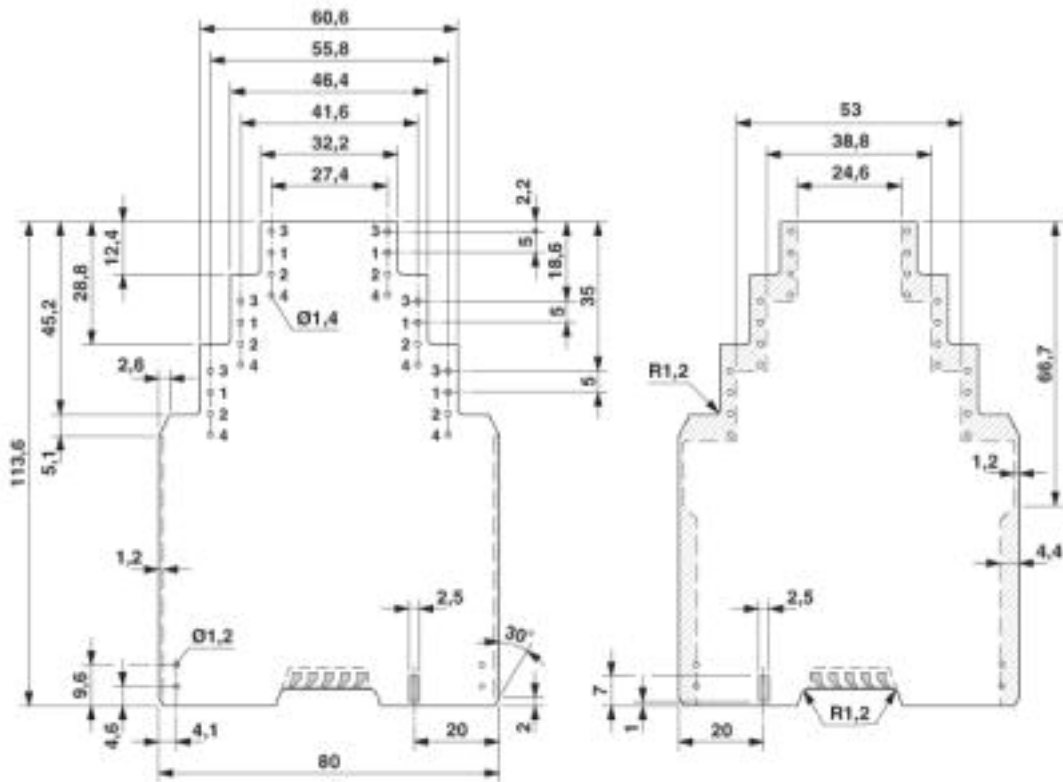
Dimensioned drawing



Dimensional drawing of the ME.../TBUS printed circuit board if the double level upper part is used

# Electronic housing - ME 22,5 UT TBUS KMGY - 2869524

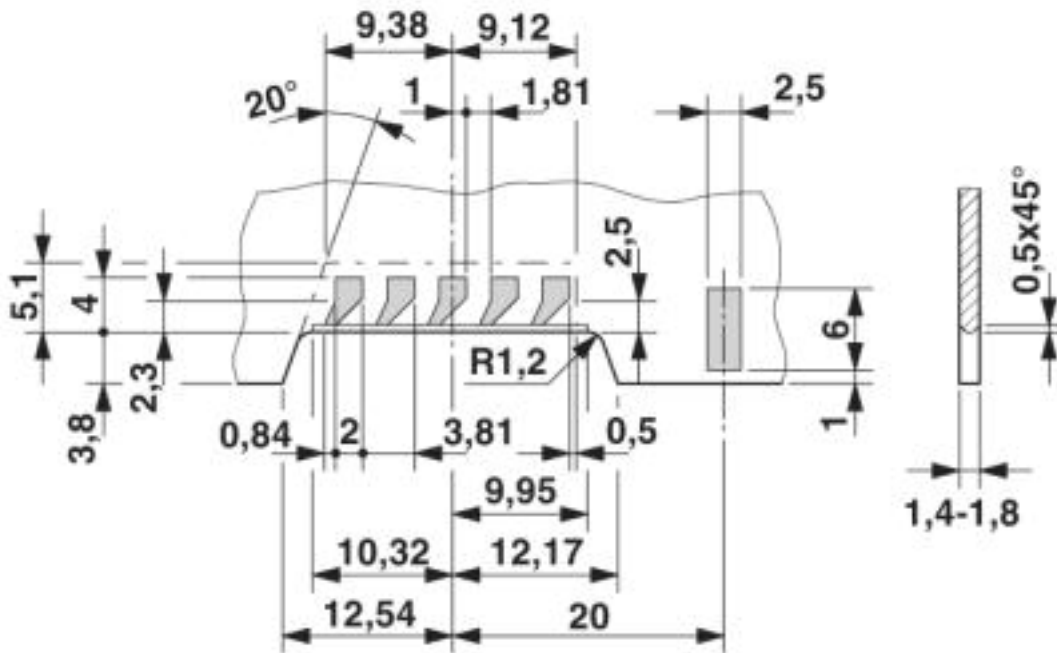
Dimensioned drawing



Dimensional drawing of the ME.../TBUS... printed circuit board if the triple-level upper part is used

# Electronic housing - ME 22,5 UT TBUS KMGY - 2869524

Dimensioned drawing



Detailed dimensional drawing of the DIN rail connector contact pads

© Phoenix Contact 2013 - all rights reserved  
<http://www.phoenixcontact.com>