

# Electronic housing - ME 12,5 UT KMGY - 2869430

Please be informed that the data shown in this PDF Document is generated from our Online Catalog. Please find the complete data in the user's documentation. Our General Terms of Use for Downloads are valid (<http://download.phoenixcontact.com>)



Lower part of housing closed, fully assembled, with metal foot catch.

Illustration shows fully mounted versions of the electronic housing, in green

## Product Features

- Tool-free mounting
- Low design width with a high number of positions
- Large assembly area
- Same PCB geometry for all design widths
- Recessed labeling areas
- Fast mounting on DIN rails according to EN 60715
- Inflammability class V0 according to UL 94
- Cost savings thanks to easy device production
- Material and part identification embossed on the housing (recyclability)
- Metal foot catch
- Electronic components can be partially removed
- Functional earth ground contact (EMC) integrated in the housing base
- Optional BUS connection integrated in the housing, for either parallel or serial contacting

## Key commercial data

<b>package_quantity</b>	10
<b>GTIN</b>	4017918933357

## Technical data

### General

<b>Housing type</b>	Component housing
<b>Housing material</b>	Polyamide
<b>Color</b>	light gray

### Ambient conditions

<b>Ambient temperature (operation)</b>	-40 °C ... 105 °C
--	-------------------

### Dimensions

<b>Length</b>	99 mm
<b>Constructional height</b>	114.5 mm

# Electronic housing - ME 12,5 UT KMGY - 2869430

## Technical data

### Dimensions

<b>Width</b>	12.5 mm
--------------	---------

### Technical data

<b>Inflammability class according to UL 94</b>	V0
<b>Power dissipation at 20°C in the horizontal mounting position</b>	4.4 W 8.4 W
<b>Number of positions</b>	8

## classifications

### eCl@ss

<b>eCl@ss 4.0</b>	27180401
<b>eCl@ss 4.1</b>	27180401
<b>eCl@ss 5.0</b>	27180506
<b>eCl@ss 5.1</b>	27180506
<b>eCl@ss 6.0</b>	27180802
<b>eCl@ss 7.0</b>	27182702
<b>eCl@ss 8.0</b>	27182702

### ETIM

<b>ETIM 2.0</b>	EC001031
<b>ETIM 3.0</b>	EC001031
<b>ETIM 4.0</b>	EC001031
<b>ETIM 5.0</b>	EC001031

### UNSPSC

<b>UNSPSC 6.01</b>	31261501
<b>UNSPSC 7.0901</b>	31261501
<b>UNSPSC 11</b>	31261501
<b>UNSPSC 12.01</b>	31261501
<b>UNSPSC 13.2</b>	31261501

## approvals

---

UL Recognized /

---

### Approval details



## accessories

### Coding element

## Electronic housing - ME 12,5 UT KMGY - 2869430

### accessories

CR-MSTB - 1734401



CP-MSTB - 1734634



### Mounting material

ME-SAS - 2853899



ME LPZS - 2906911



### Filler plug

ME B-12,5 MSTBO KMGY - 2854801



## Electronic housing - ME 12,5 UT KMGY - 2869430

### accessories

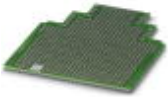
ME B-12,5 MKDSO GN - 2906872



---

### PCB

ME LP - 2906908

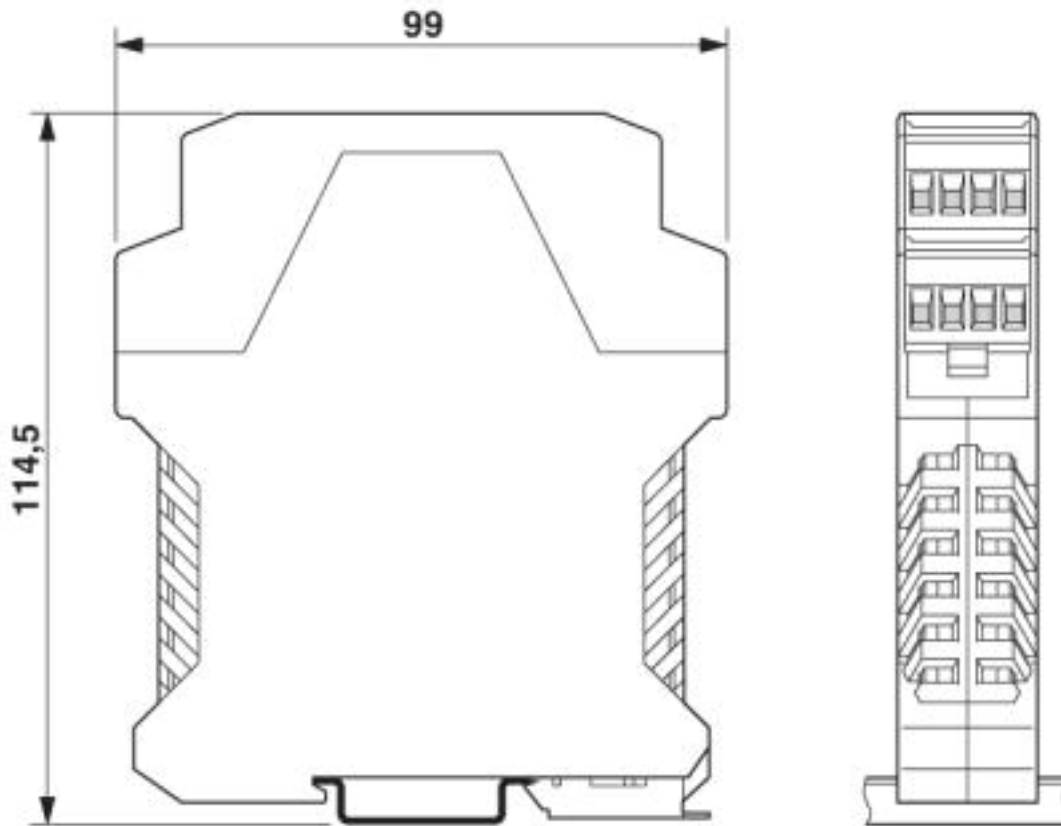


---

### Drawings

# Electronic housing - ME 12,5 UT KMGY - 2869430

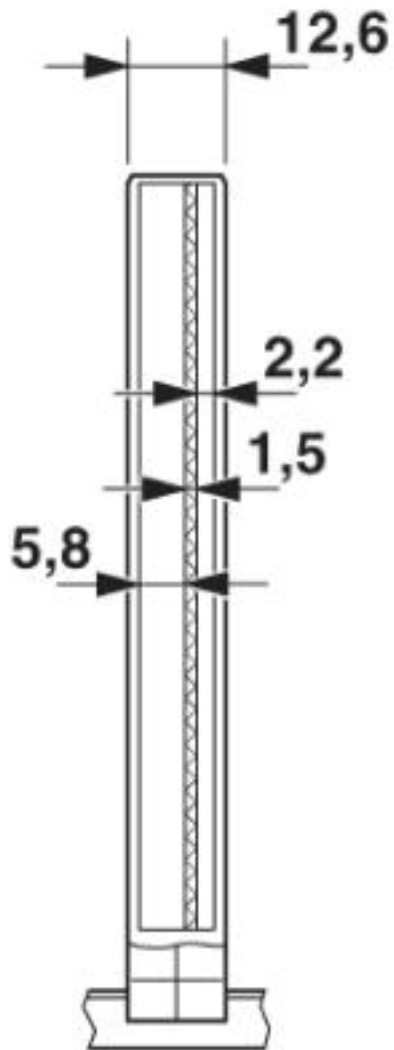
Dimensioned drawing



Dimensions of the electronic housing ME... with double-level upper part

# Electronic housing - ME 12,5 UT KMGY - 2869430

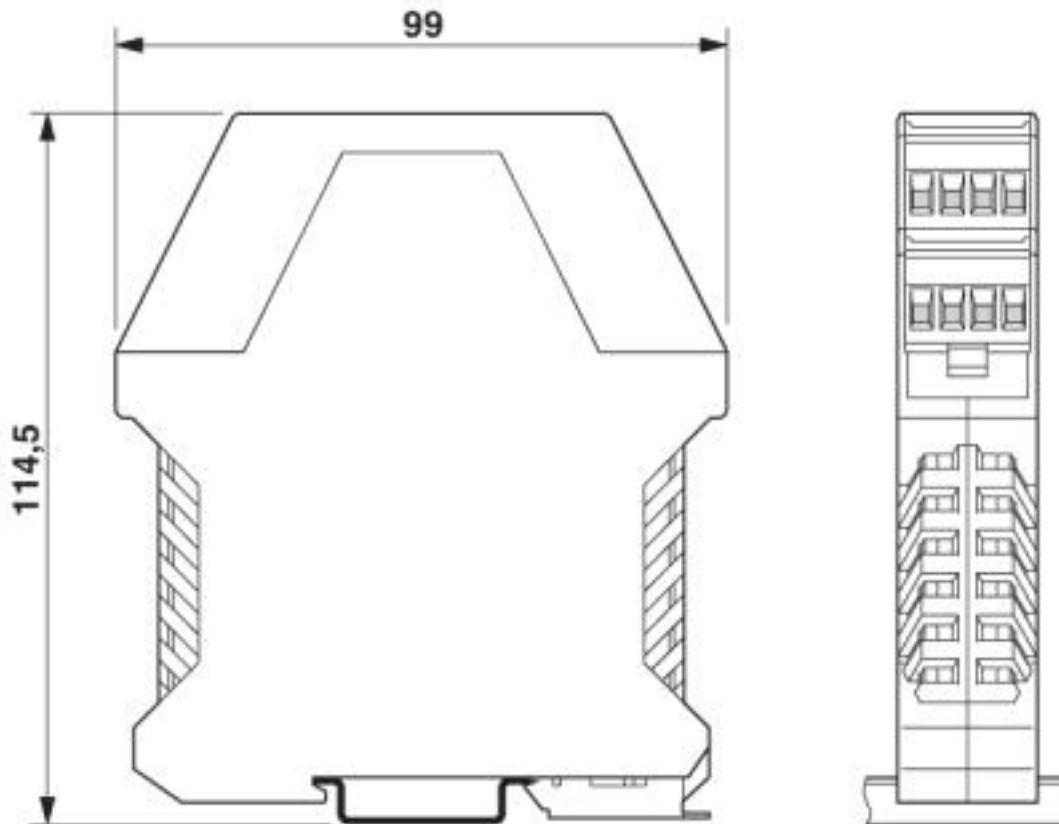
Dimensioned drawing



Inner housing dimensions, electronic housing ME 17,5 ...

# Electronic housing - ME 12,5 UT KMGY - 2869430

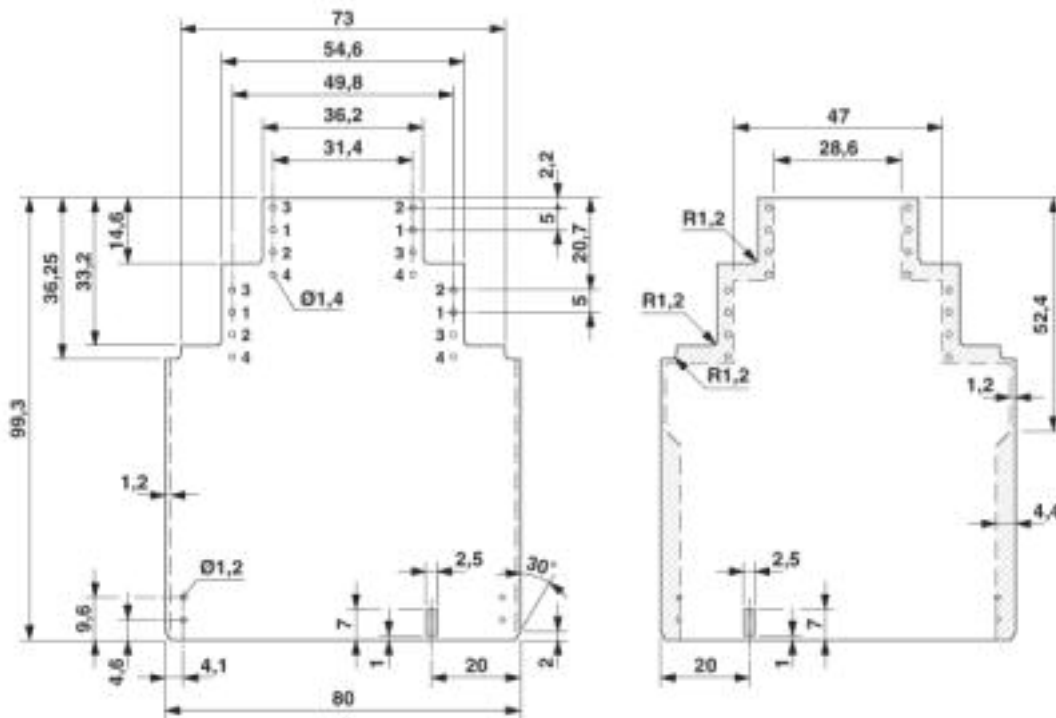
Dimensioned drawing



Dimensions of the electronic housing ME... with double-level upper part

# Electronic housing - ME 12,5 UT KMGY - 2869430

Dimensioned drawing



Dimensional drawing of the ME... printed circuit board if the double level upper part is used

© Phoenix Contact 2013 - all rights reserved  
<http://www.phoenixcontact.com>