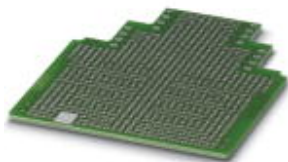


Electronic housing - ME LP - 2906908

Please be informed that the data shown in this PDF Document is generated from our Online Catalog. Please find the complete data in the user's documentation. Our General Terms of Use for Downloads are valid (<http://download.phoenixcontact.com>)



PCB, for custom fitting, with contact to DIN rail (EN 60715)

Key commercial data

package_quantity	5
GTIN	4017918126520

Technical data

General

Housing type	Component housing
---------------------	-------------------

classifications

eCl@ss

eCl@ss 4.0	27180401
eCl@ss 4.1	27180401
eCl@ss 5.0	27180506
eCl@ss 5.1	27180506
eCl@ss 6.0	27180802
eCl@ss 7.0	27182790
eCl@ss 8.0	27182790

ETIM

ETIM 2.0	EC001031
ETIM 3.0	EC001031
ETIM 4.0	EC001031
ETIM 5.0	EC001031

UNSPSC

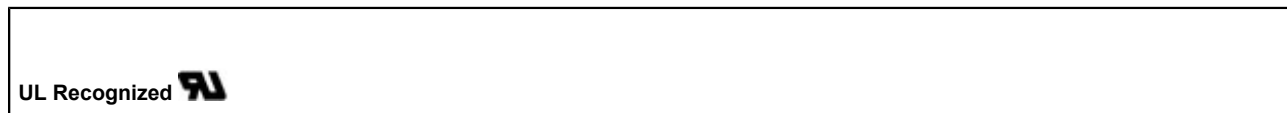
UNSPSC 6.01	31261501
UNSPSC 7.0901	31261501
UNSPSC 11	31261501
UNSPSC 12.01	31261501
UNSPSC 13.2	31261501

Electronic housing - ME LP - 2906908

approvals

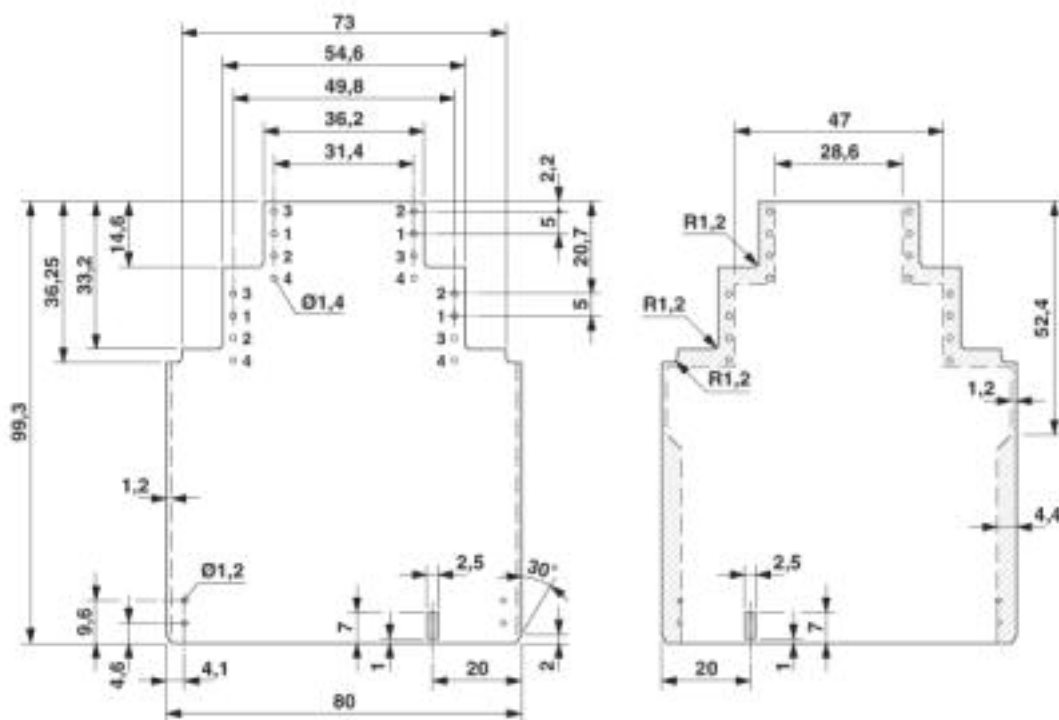
UL Recognized /

Approval details



Drawings

Dimensioned drawing



Dimensional drawing of the ME... printed circuit board if the double level upper part is used

© Phoenix Contact 2013 - all rights reserved
<http://www.phoenixcontact.com>