

Electronic housing - ME 12,5 UTG PGBU - 2908922

Please be informed that the data shown in this PDF Document is generated from our Online Catalog. Please find the complete data in the user's documentation. Our General Terms of Use for Downloads are valid (<http://download.phoenixcontact.com>)



Lower part of housing closed, fully assembled, with metal foot catch.

Illustration shows fully mounted versions of the electronic housing, in green

Product Features

- Tool-free mounting
- Low design width with a high number of positions
- Large assembly area
- Same PCB geometry for all design widths
- Recessed labeling areas
- Inflammability class V0 according to UL 94
- Fast mounting on DIN rails according to EN 60715
- Material and part identification embossed on the housing (recyclability)
- Cost savings thanks to easy device production
- Metal foot catch
- Electronic components can be partially removed
- Optional BUS connection integrated in the housing, for either parallel or serial contacting
- Functional earth ground contact (EMC) integrated in the housing base

Key commercial data

package_quantity	10
GTIN	4017918381837

classifications

eCl@ss

eCl@ss 4.0	27180401
eCl@ss 4.1	27180401
eCl@ss 5.0	27180506
eCl@ss 5.1	27180506
eCl@ss 6.0	27180802
eCl@ss 7.0	27182702
eCl@ss 8.0	27182702

ETIM

ETIM 2.0	EC001031
-----------------	----------

Electronic housing - ME 12,5 UTG PGBU - 2908922

classifications

ETIM

ETIM 3.0	EC001031
ETIM 4.0	EC001031

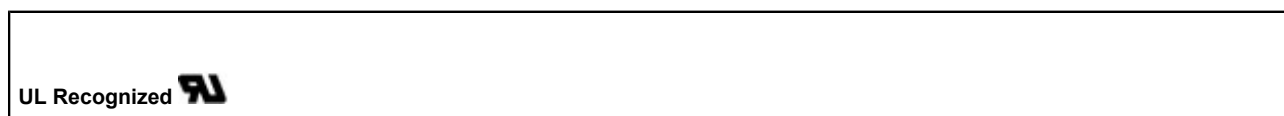
UNSPSC

UNSPSC 6.01	31261501
UNSPSC 7.0901	31261501
UNSPSC 11	31261501
UNSPSC 12.01	31261501
UNSPSC 13.2	31261501

approvals

UL Recognized /

Approval details



accessories

Printed circuit board housing

MSTBO 2,5/ 2-G1L - 1861057



MSTBO 2,5/ 2-G1R - 1861044



PCB plug

Electronic housing - ME 12,5 UTG PGBU - 2908922

accessories

MSTBT 2,5/ 2-ST - 1779835



MSTBT 2,5 HC/ 2-ST - 1926358



FKCT 2,5/ 2-ST - 1909210



Filler plug

ME B-12,5 MSTBO GN - 2906856



ME B-12,5 MKDSO GN - 2906872



Printed circuit board terminal

Electronic housing - ME 12,5 UTG PGBU - 2908922

accessories

MKDSO 2,5/ 2-L - 1707205



MKDSO 2,5/ 2-R - 1707195



Mounting material

ME-SAS - 2853899

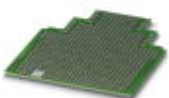


ME LPZS - 2906911



PCB

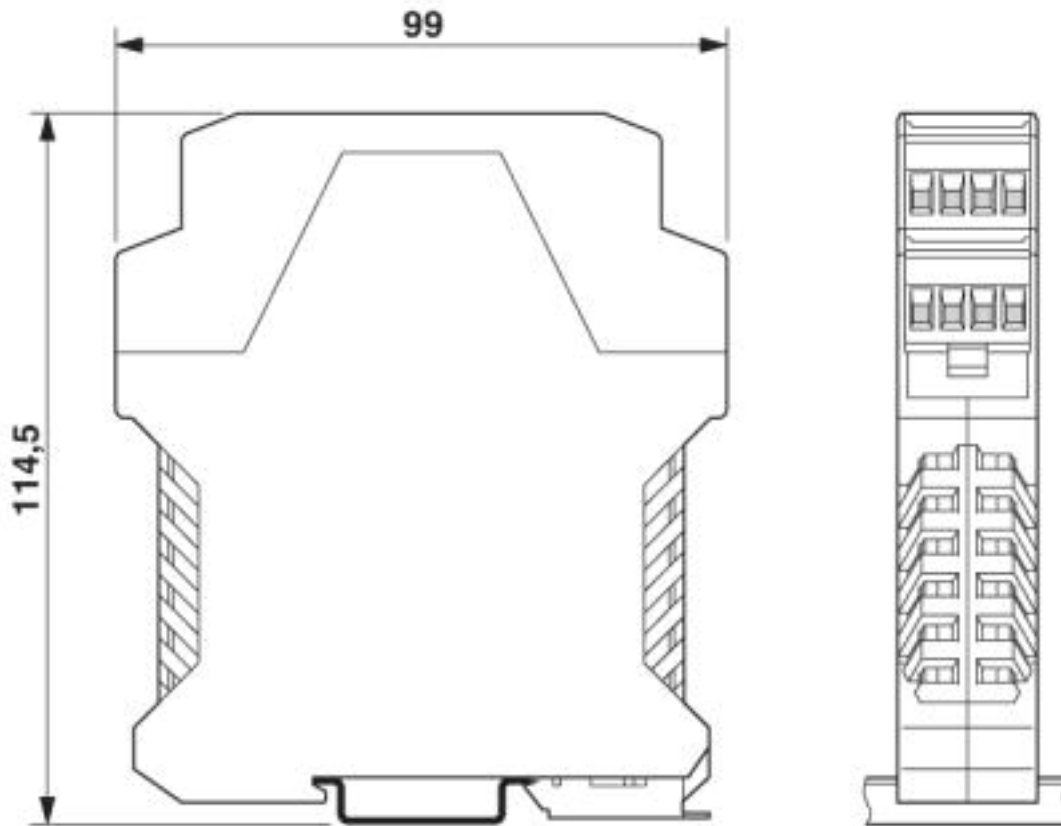
ME LP - 2906908



Drawings

Electronic housing - ME 12,5 UTG PGBU - 2908922

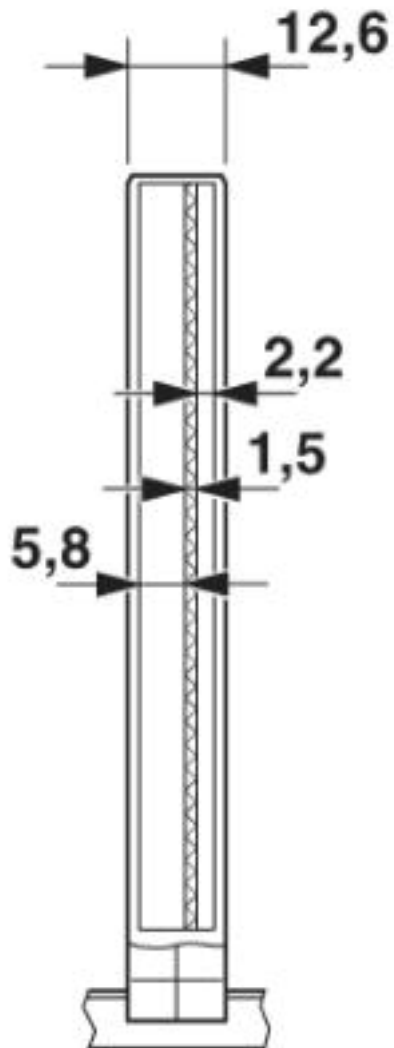
Dimensioned drawing



Dimensions of the electronic housing ME... with double-level upper part

Electronic housing - ME 12,5 UTG PGBU - 2908922

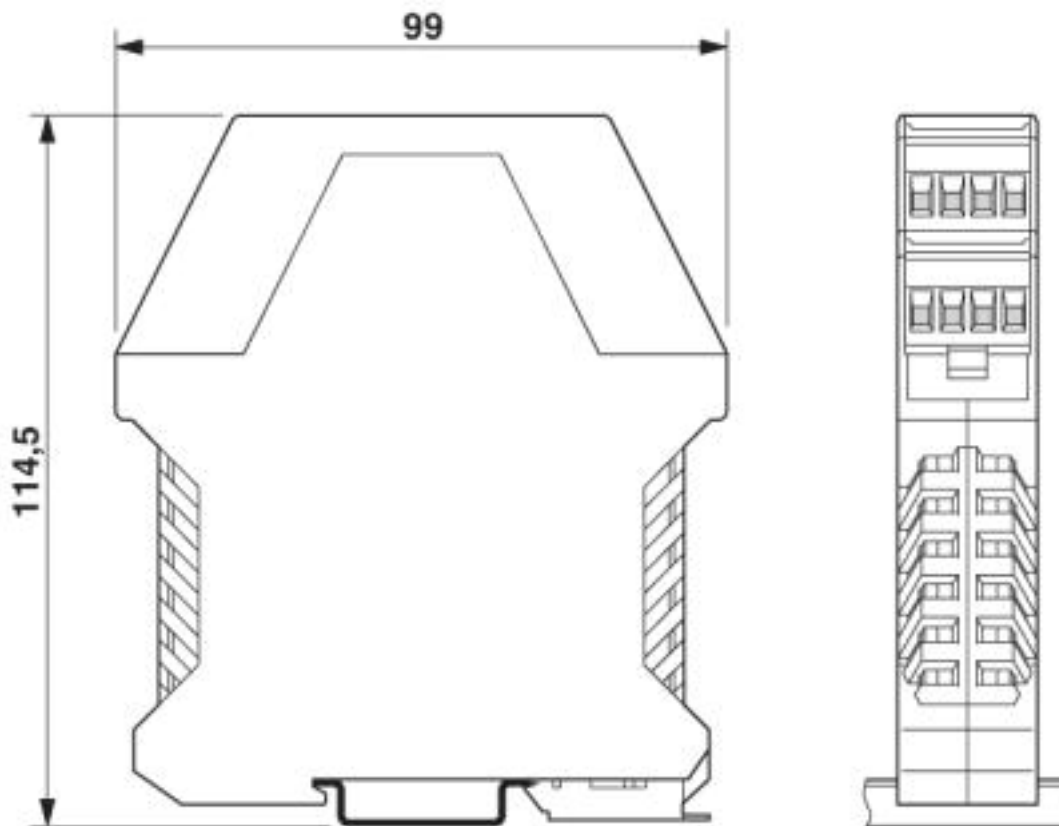
Dimensioned drawing



Inner housing dimensions, electronic housing ME 17,5 ...

Electronic housing - ME 12,5 UTG PGBU - 2908922

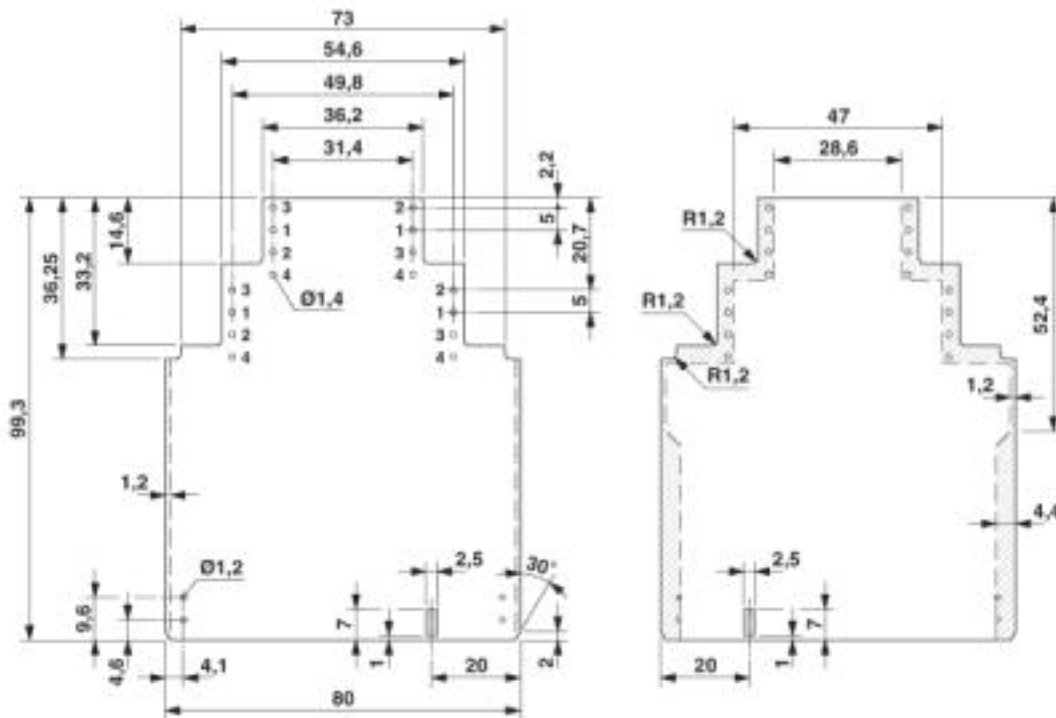
Dimensioned drawing



Dimensions of the electronic housing ME... with double-level upper part

Electronic housing - ME 12,5 UTG PGBU - 2908922

Dimensioned drawing



Dimensional drawing of the ME... printed circuit board if the double level upper part is used

© Phoenix Contact 2013 - all rights reserved
<http://www.phoenixcontact.com>