

# Electronic housing - UEGM 40/2 GY OHNE LOGO - 2766407

Please be informed that the data shown in this PDF Document is generated from our Online Catalog. Please find the complete data in the user's documentation. Our General Terms of Use for Downloads are valid (<http://download.phoenixcontact.com>)



Electronic housing, fully equipped with 6 screw connections per side for two PCBs

The illustration shows a green version

## Key commercial data

<b>package_quantity</b>	10
<b>GTIN</b>	4017918273545

## classifications

### eCl@ss

<b>eCl@ss 4.0</b>	27180401
<b>eCl@ss 4.1</b>	27180401
<b>eCl@ss 5.0</b>	27180506
<b>eCl@ss 5.1</b>	27180506
<b>eCl@ss 6.0</b>	27180802
<b>eCl@ss 7.0</b>	27182702
<b>eCl@ss 8.0</b>	27182702

### ETIM

<b>ETIM 2.0</b>	EC001031
<b>ETIM 3.0</b>	EC001031
<b>ETIM 4.0</b>	EC001031

### UNSPSC

<b>UNSPSC 6.01</b>	31261501
<b>UNSPSC 7.0901</b>	31261501
<b>UNSPSC 11</b>	31261501
<b>UNSPSC 12.01</b>	31261501
<b>UNSPSC 13.2</b>	31261501

## approvals

UL Recognized / cUL Recognized / GOST / cULus Recognized /

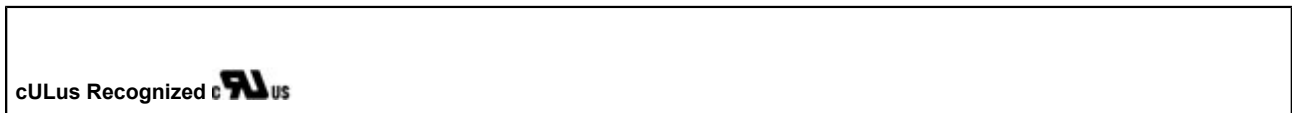
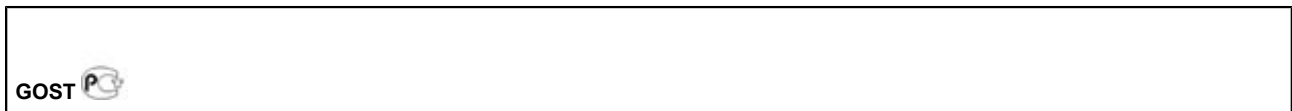
## Approval details

# Electronic housing - UEGM 40/2 GY OHNE LOGO - 2766407

## approvals

<b>UL Recognized</b>	
Nominal voltage UN	300 V
Nominal current IN	10 A
mm <sup>2</sup> /AWG/kcmil	30-12

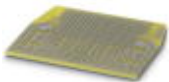
<b>cUL Recognized</b>	
Nominal voltage UN	300 V
Nominal current IN	10 A
mm <sup>2</sup> /AWG/kcmil	30-12



## accessories

### PCB

P 1-UEGM - 2792109



### Insulating sleeve

PT/FS 6,3 - 0604707



# Electronic housing - UEGM 40/2 GY OHNE LOGO - 2766407

## accessories

PT/FS 2,8 - 1406700



---

## Terminal marking

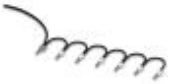
ZB 5 :UNBEDRUCKT - 1050004



---

## Bridge

DB 50- 90 BK - 2820916



---

DB 50- 90 GY - 2820929



---

## accessories

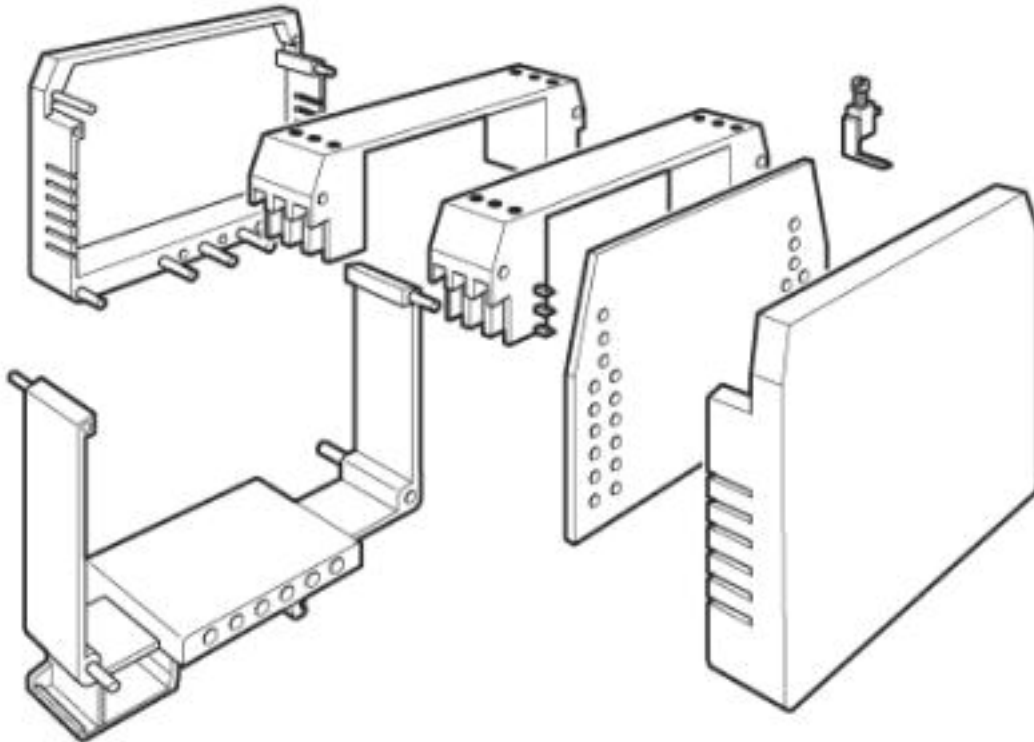
UEG-MT-FS - 2790389



# Electronic housing - UEGM 40/2 GY OHNE LOGO - 2766407

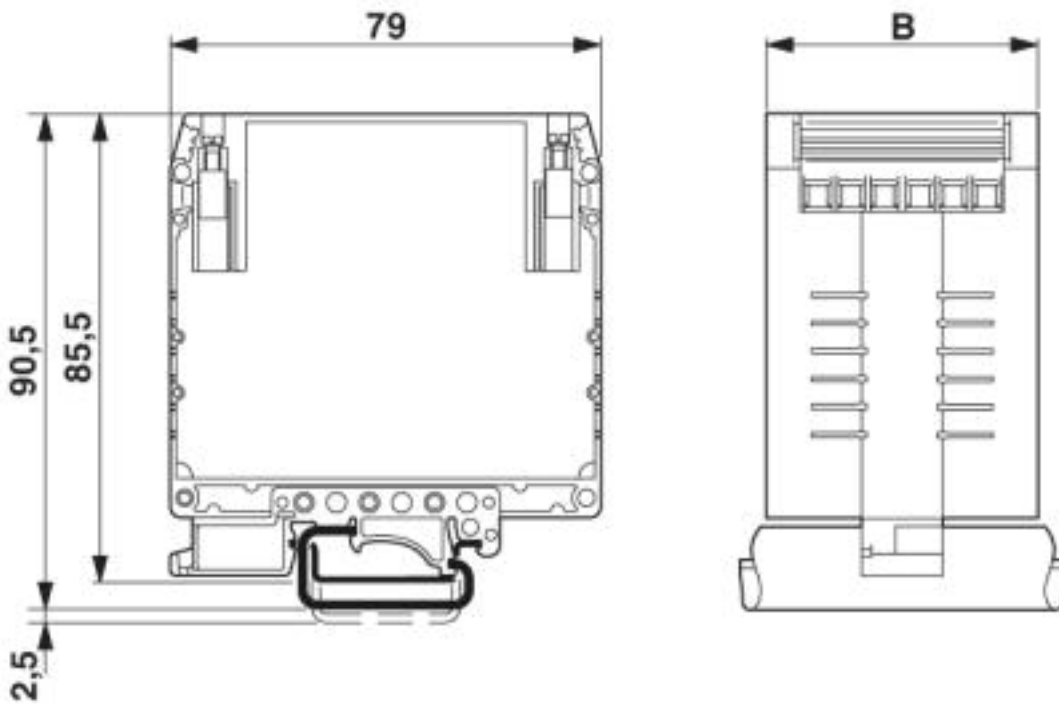
## Drawings

### Explosion drawing



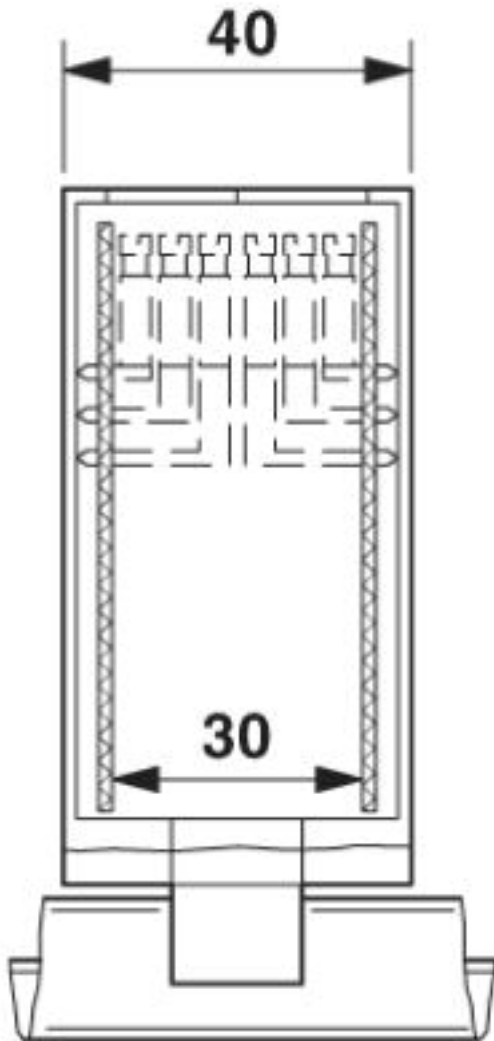
# Electronic housing - UEGM 40/2 GY OHNE LOGO - 2766407

Dimensioned drawing



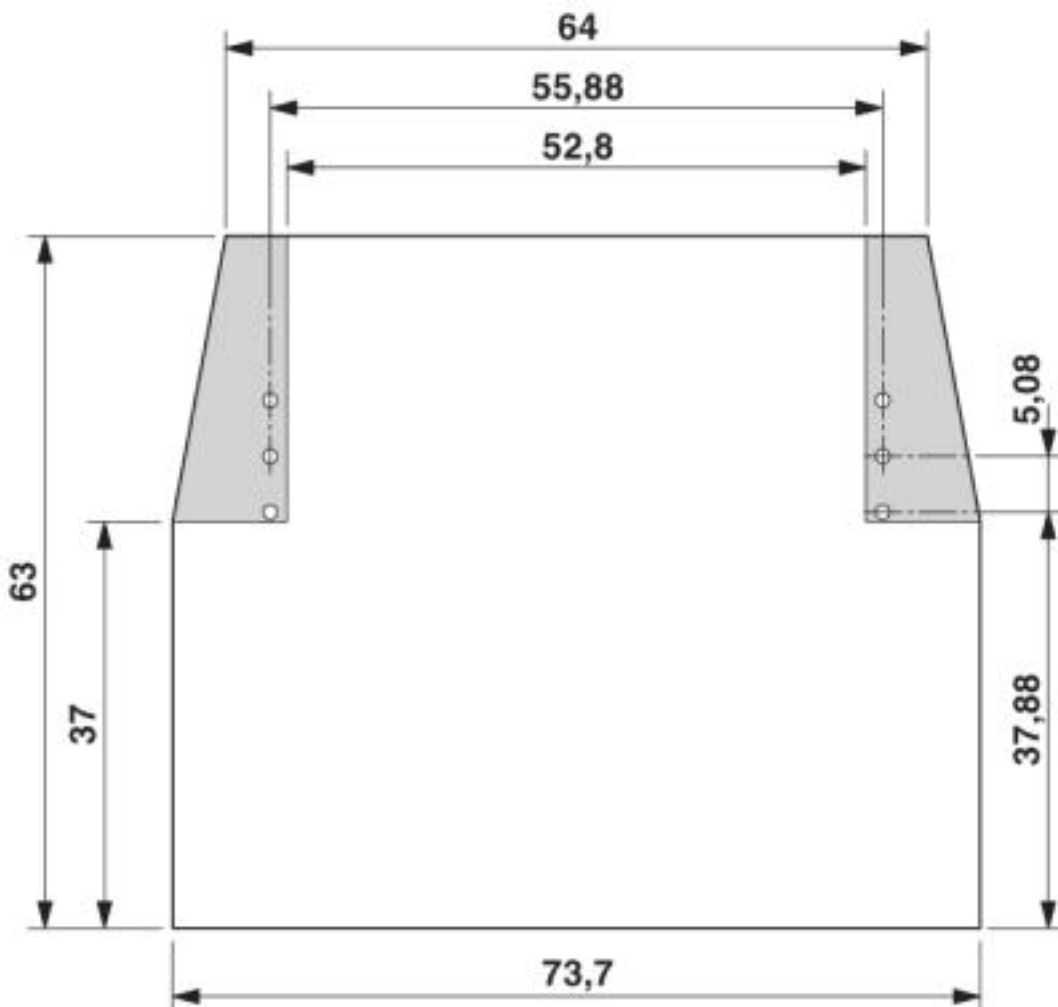
# Electronic housing - UEGM 40/2 GY OHNE LOGO - 2766407

Dimensioned drawing



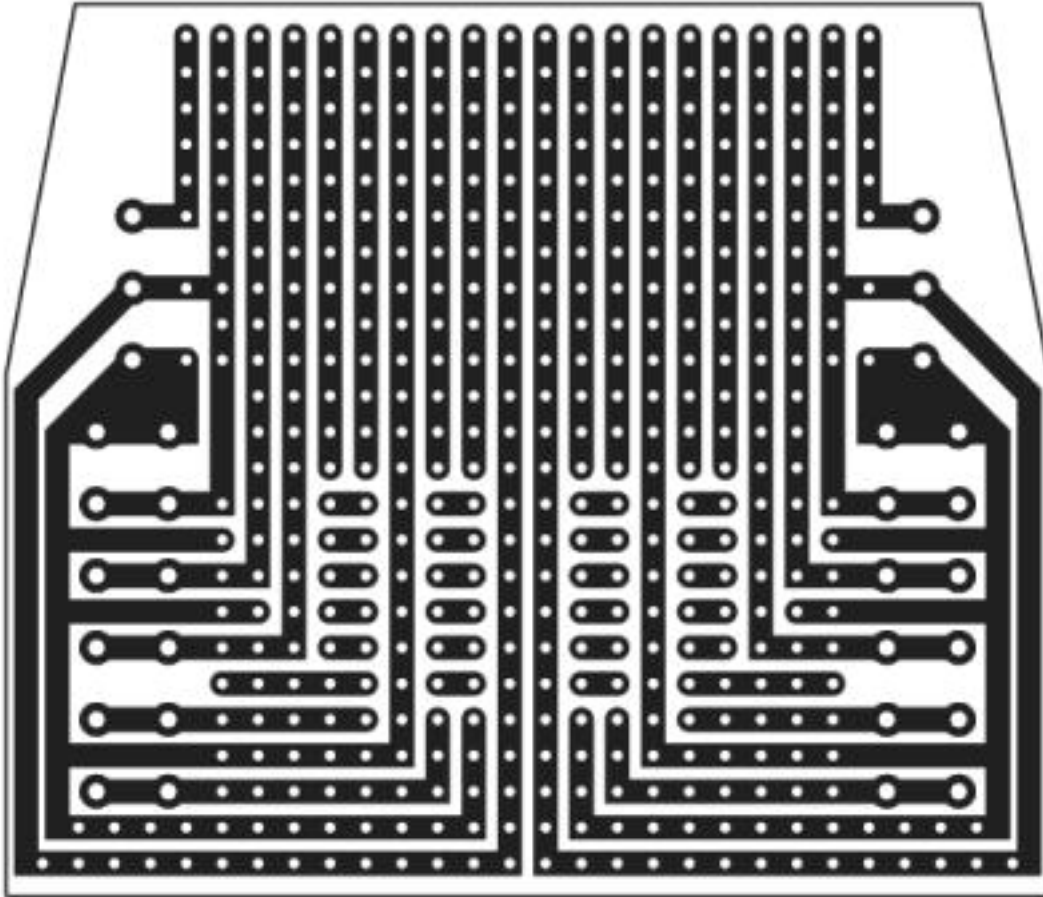
# Electronic housing - UEGM 40/2 GY OHNE LOGO - 2766407

Dimensioned drawing



# Electronic housing - UEGM 40/2 GY OHNE LOGO - 2766407

Schematic diagram



© Phoenix Contact 2013 - all rights reserved  
<http://www.phoenixcontact.com>