

## Electronic housing - ME 22,5 F-UTG GN - 2854144

Please be informed that the data shown in this PDF Document is generated from our Online Catalog. Please find the complete data in the user's documentation. Our General Terms of Use for Downloads are valid (<http://download.phoenixcontact.com>)



Housing base, with metal foot catch, fully preassembled, housing closed

### Product Features

- Tool-free mounting
- Large assembly area
- Low design width with a high number of positions
- Recessed labeling areas
- Same PCB geometry for all design widths
- Inflammability class V0 according to UL 94
- Fast mounting on DIN rails according to EN 60715
- Material and part identification embossed on the housing (recyclability)
- Cost savings thanks to easy device production
- Electronic components can be partially removed
- Functional earth ground contact (EMC) integrated in the housing base
- Metal foot catch
- Optional BUS connection integrated in the housing, for either parallel or serial contacting

### Key commercial data

<b>package_quantity</b>	10
<b>GTIN</b>	4017918190156

### Technical data

#### General

<b>Housing type</b>	Component housing
<b>Housing material</b>	Polyamide
<b>Color</b>	green

#### Ambient conditions

<b>Ambient temperature (operation)</b>	-40 °C ... 105 °C
--	-------------------

#### Dimensions

<b>Length</b>	99 mm
<b>Constructional height</b>	106 mm
<b>Width</b>	22.5 mm

#### Technical data

# Electronic housing - ME 22,5 F-UTG GN - 2854144

## Technical data

### Technical data

Inflammability class according to UL 94	V0
Power dissipation at 20°C in the horizontal mounting position	5.5 W 9.6 W
Number of positions	16
Number of positions	24

## classifications

### eCl@ss

eCl@ss 4.0	27180401
eCl@ss 4.1	27180401
eCl@ss 5.0	27180506
eCl@ss 5.1	27180506
eCl@ss 6.0	27180802
eCl@ss 7.0	27182702
eCl@ss 8.0	27182702

### ETIM

ETIM 2.0	EC001031
ETIM 3.0	EC001031
ETIM 4.0	EC001031
ETIM 5.0	EC001031

### UNSPSC

UNSPSC 6.01	31261501
UNSPSC 7.0901	31261501
UNSPSC 11	31261501
UNSPSC 12.01	31261501
UNSPSC 13.2	31261501

## approvals

UL Recognized /

### Approval details



## accessories

### Coding element

## Electronic housing - ME 22,5 F-UTG GN - 2854144

### accessories

CR-MSTB - 1734401



CP-MSTB - 1734634



### Mounting material

ME-SAS - 2853899



ME LPZS - 2906911



### Filler plug

ME B-22,5 MKDSO GN - 2907143



## Electronic housing - ME 22,5 F-UTG GN - 2854144

### accessories

ME B-22,5 MSTBO GN - 2907156



ME B-12,5 3MSTBO GN - 2709176



ME B-22,5 MKDSO GN - 2907143



ME B-22,5 MSTBO GN - 2907156



ME B-KA - 2854173



ME B-SA/NS 35 - 2935959



# Electronic housing - ME 22,5 F-UTG GN - 2854144

accessories

---

## Printed circuit board housing

MSTBO 2,5/ 4-G1R - 1861073



---

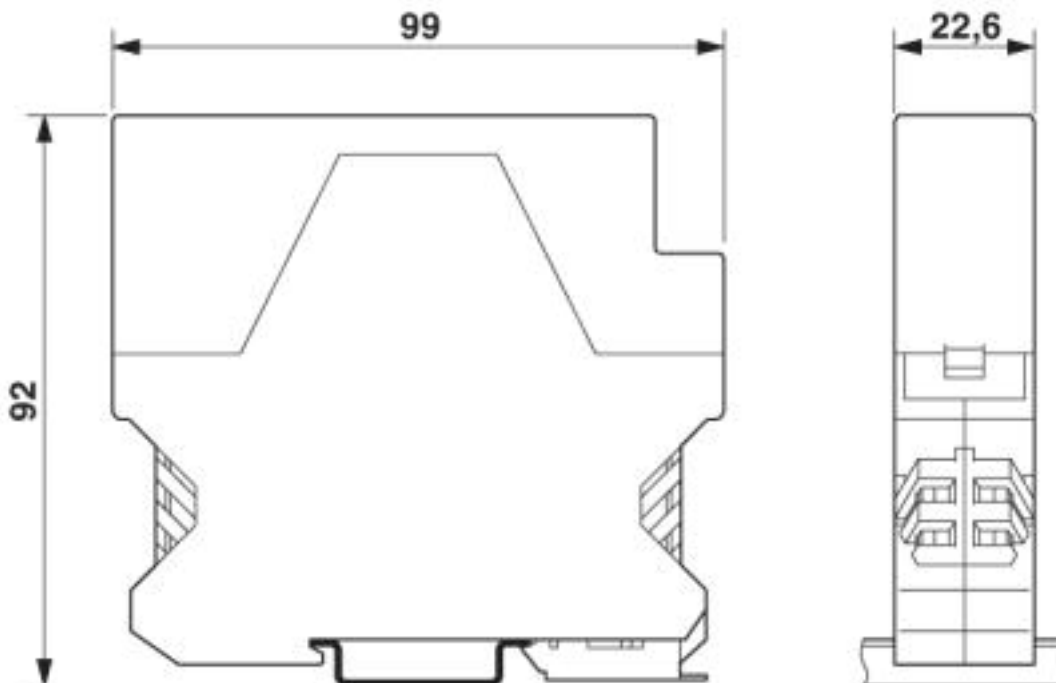
MSTBO 2,5/ 4-G1L - 1861060



---

## Drawings

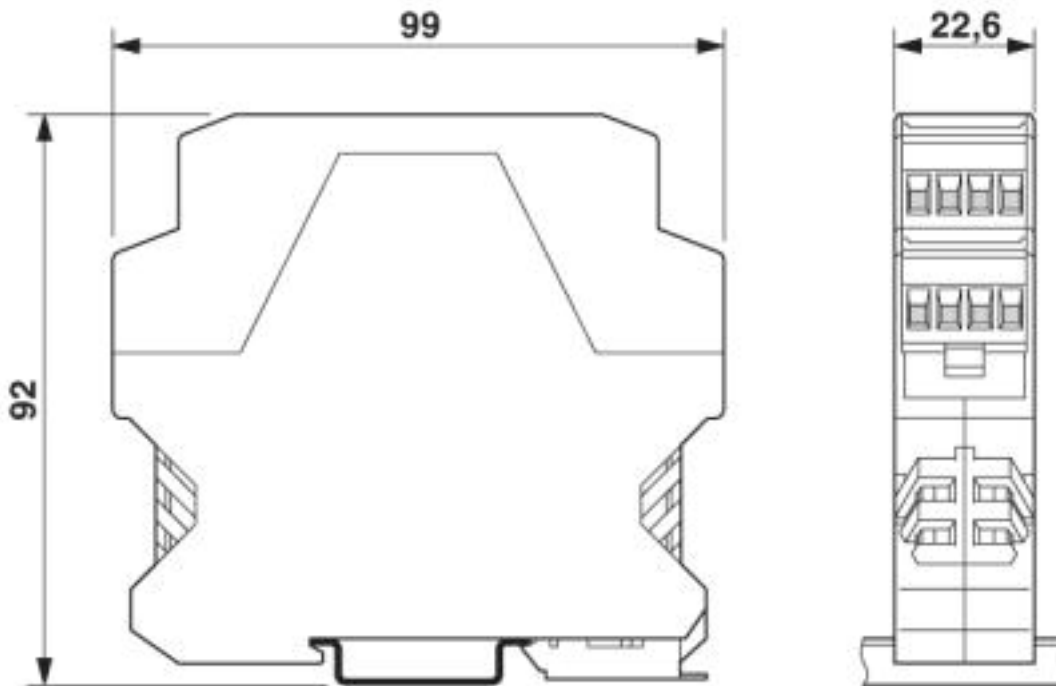
Dimensioned drawing



Dimensions of the electronic housing ME 22.5 flat... with single-level upper part

# Electronic housing - ME 22,5 F-UTG GN - 2854144

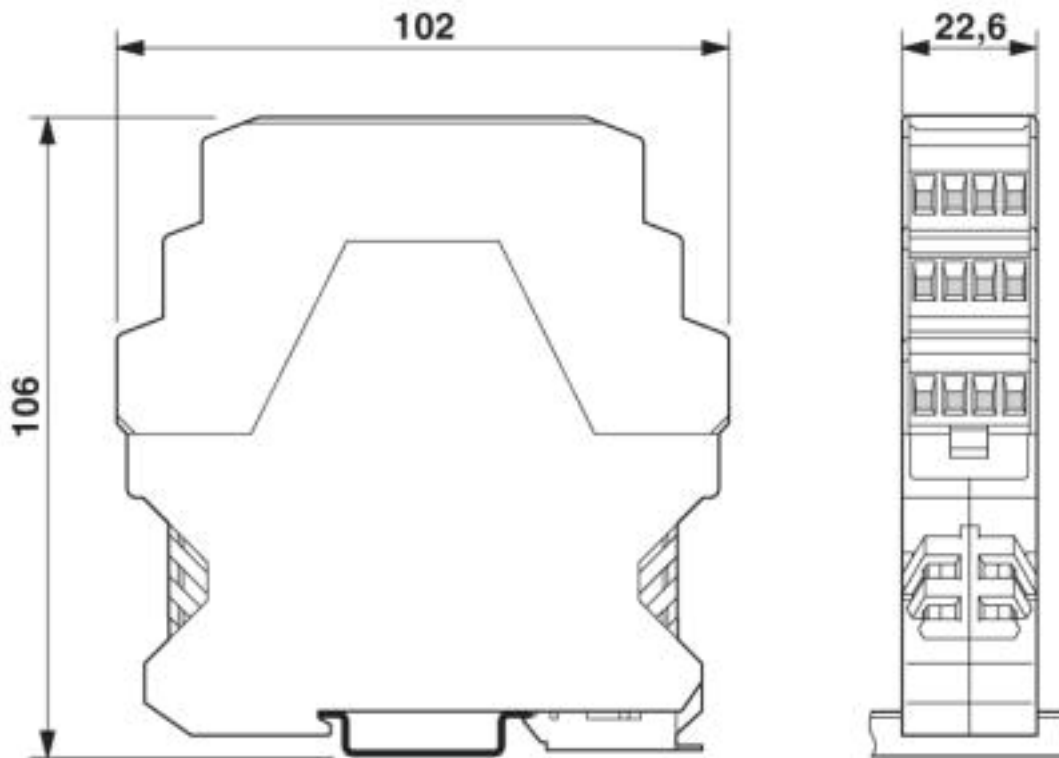
Dimensioned drawing



Dimensions of the electronic housing ME 22.5 flat... with double-level upper part

## Electronic housing - ME 22,5 F-UTG GN - 2854144

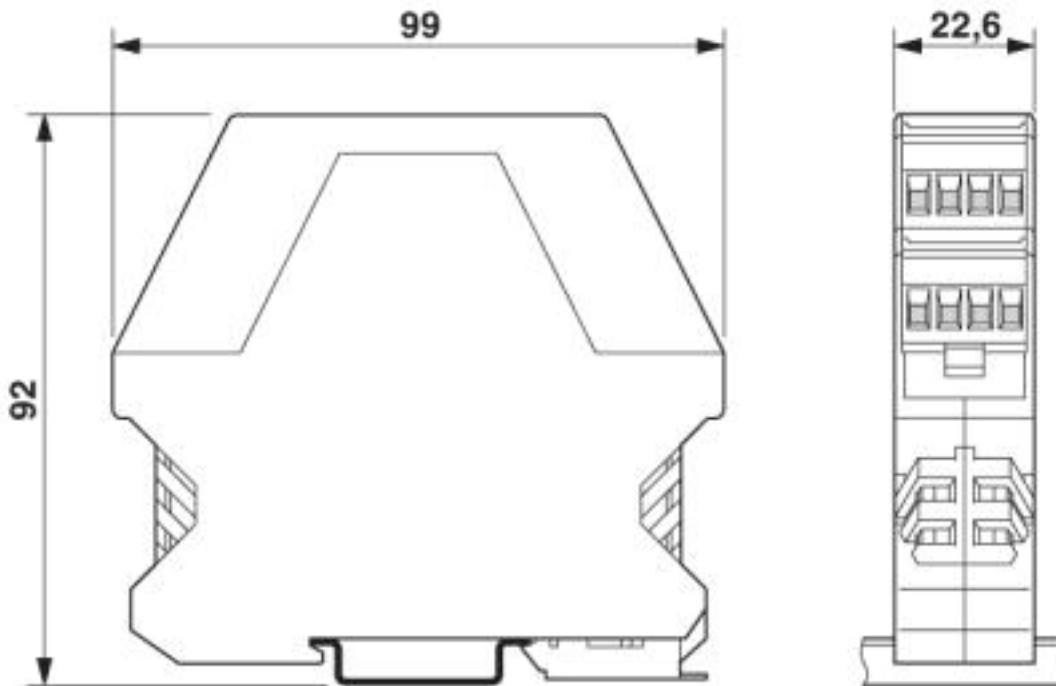
Dimensioned drawing



Dimensions of the electronic housing ME 22.5 flat... with triple-level upper part

# Electronic housing - ME 22,5 F-UTG GN - 2854144

Dimensioned drawing

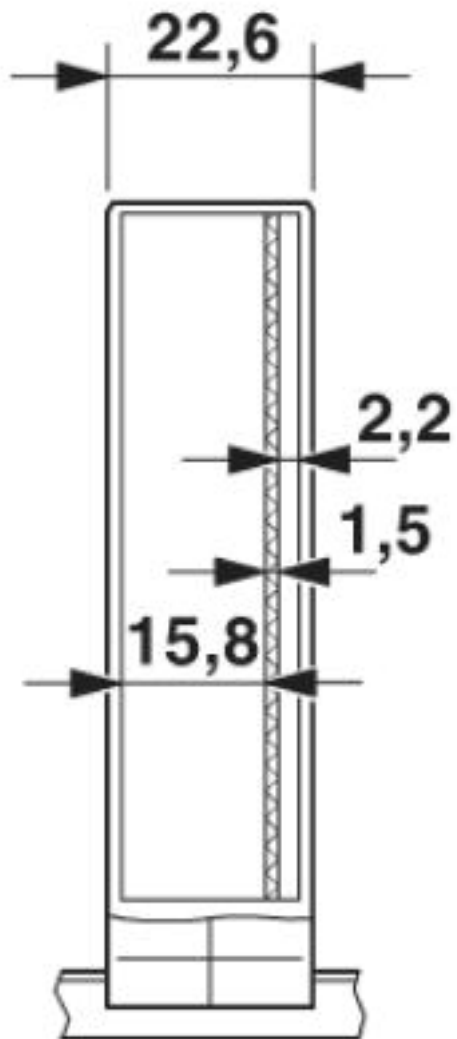


Dimensions of the electronic housing ME 22.5 flat... with double-level upper part



# Electronic housing - ME 22,5 F-UTG GN - 2854144

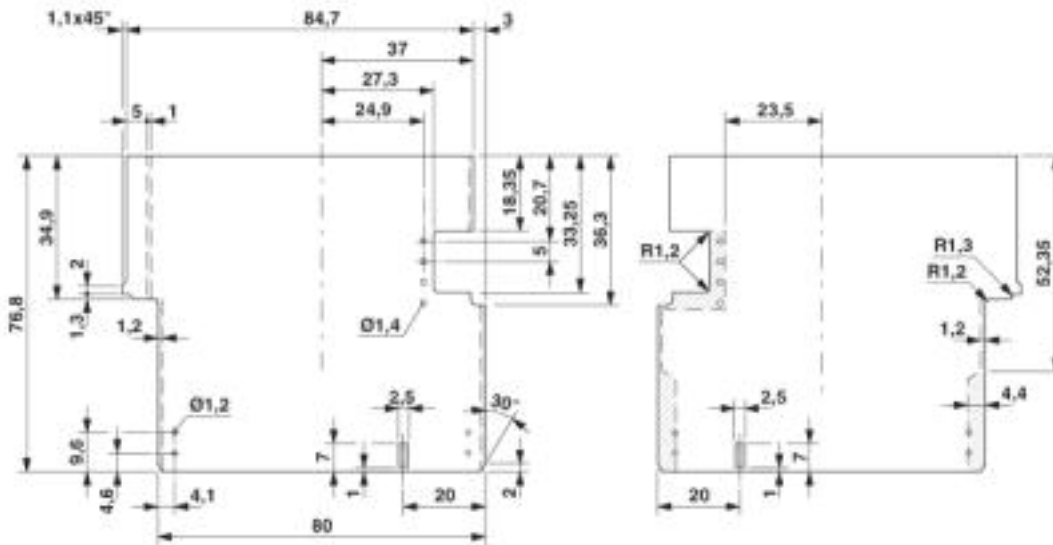
Dimensioned drawing



Internal housing dimensions, electronics housing ME 22.5 flat...

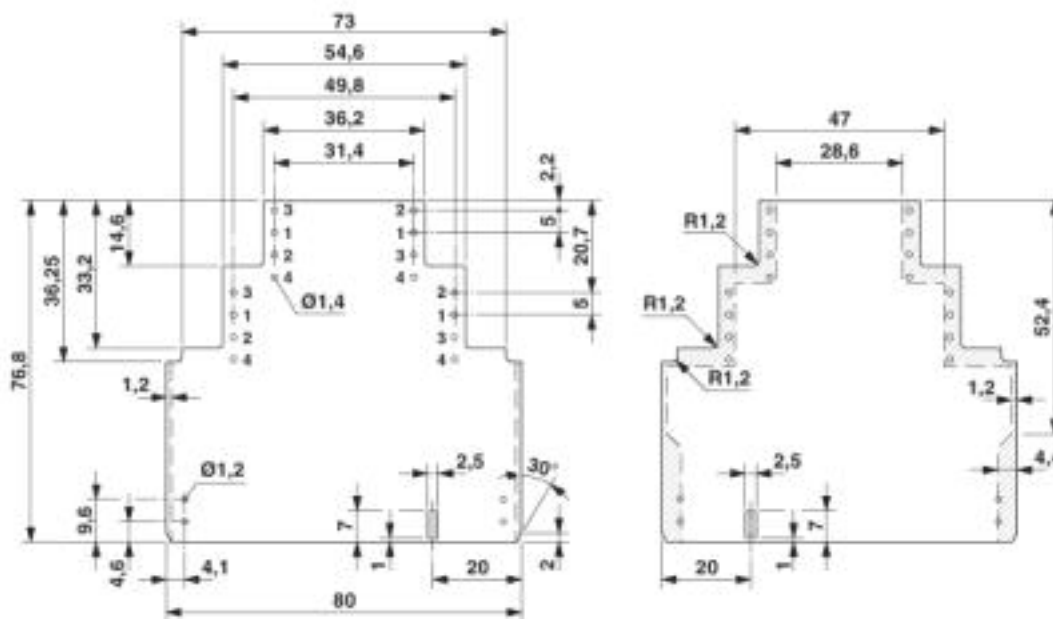
# Electronic housing - ME 22,5 F-UTG GN - 2854144

Dimensioned drawing



Dimensional drawing of the ME 22.5 flat... printed circuit board if the single-level upper part is used

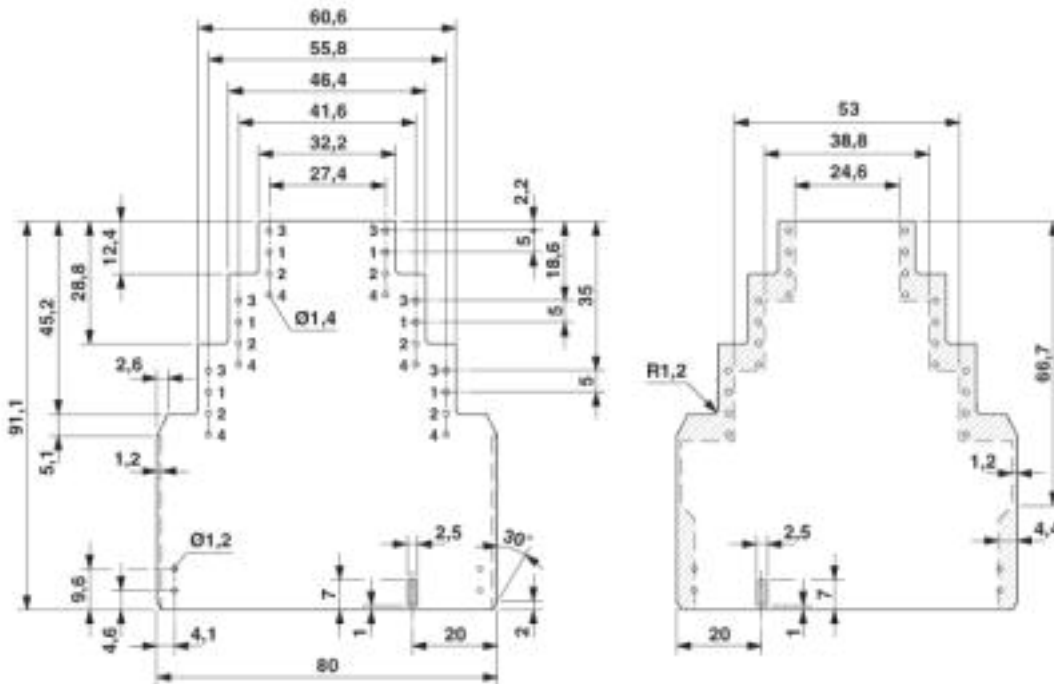
Dimensioned drawing



Dimensional drawing of the ME 22.5 flat... printed circuit board if the double level upper part is used

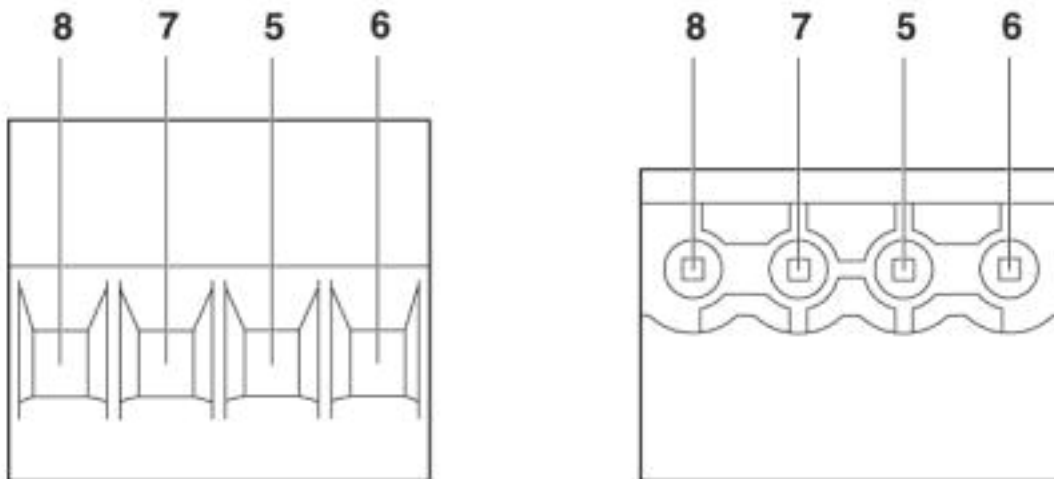
# Electronic housing - ME 22,5 F-UTG GN - 2854144

Dimensioned drawing



Dimensional drawing of the ME 22.5 flat... printed circuit board if the triple-level upper part is used

Schematic diagram



Pin assignment right