

Electronic housing - ME 12,5 UTG KMGY - 2854762

Please be informed that the data shown in this PDF Document is generated from our Online Catalog. Please find the complete data in the user's documentation. Our General Terms of Use for Downloads are valid (<http://download.phoenixcontact.com>)



Lower part of housing closed, fully assembled, with metal foot catch.

Illustration shows fully mounted versions of the electronic housing, in green

Product Features

- Tool-free mounting
- Low design width with a high number of positions
- Large assembly area
- Same PCB geometry for all design widths
- Recessed labeling areas
- Inflammability class V0 according to UL 94
- Fast mounting on DIN rails according to EN 60715
- Material and part identification embossed on the housing (recyclability)
- Cost savings thanks to easy device production
- Metal foot catch
- Electronic components can be partially removed
- Optional BUS connection integrated in the housing, for either parallel or serial contacting
- Functional earth ground contact (EMC) integrated in the housing base

Key commercial data

package_quantity	10
GTIN	4017918207915

Technical data

General

Housing type	Component housing
Housing material	Polyamide
Color	light gray

Ambient conditions

Ambient temperature (operation)	-40 °C ... 105 °C
--	-------------------

Dimensions

Length	99 mm
Constructional height	114.5 mm

Electronic housing - ME 12,5 UTG KMGY - 2854762

Technical data

Dimensions

Width	12.5 mm
--------------	---------

Technical data

Inflammability class according to UL 94	V0
Number of positions	8

classifications

eCl@ss

eCl@ss 4.0	27180401
eCl@ss 4.1	27180401
eCl@ss 5.0	27180506
eCl@ss 5.1	27180506
eCl@ss 6.0	27180802
eCl@ss 7.0	27182702
eCl@ss 8.0	27182702

ETIM

ETIM 2.0	EC001031
ETIM 3.0	EC001031
ETIM 4.0	EC001031
ETIM 5.0	EC001031

UNSPSC

UNSPSC 6.01	31261501
UNSPSC 7.0901	31261501
UNSPSC 11	31261501
UNSPSC 12.01	31261501
UNSPSC 13.2	31261501

approvals

UL Recognized /

Approval details



accessories

Coding element

Electronic housing - ME 12,5 UTG KMGY - 2854762

accessories

CR-MSTB - 1734401



CP-MSTB - 1734634



Mounting material

ME-SAS - 2853899



ME LPZS - 2906911



ME-SAS - 2853899



Electronic housing - ME 12,5 UTG KMGY - 2854762

accessories

ME LPZS - 2906911



Filler plug

ME B-12,5 MSTBO KMGY - 2854801



ME B-12,5 MKDSO GN - 2906872

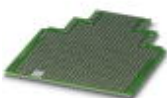


ME B-12,5 MKDSO GN - 2906872



PCB

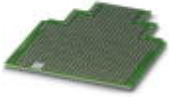
ME LP - 2906908



Electronic housing - ME 12,5 UTG KMGY - 2854762

accessories

ME LP - 2906908



Printed circuit board terminal

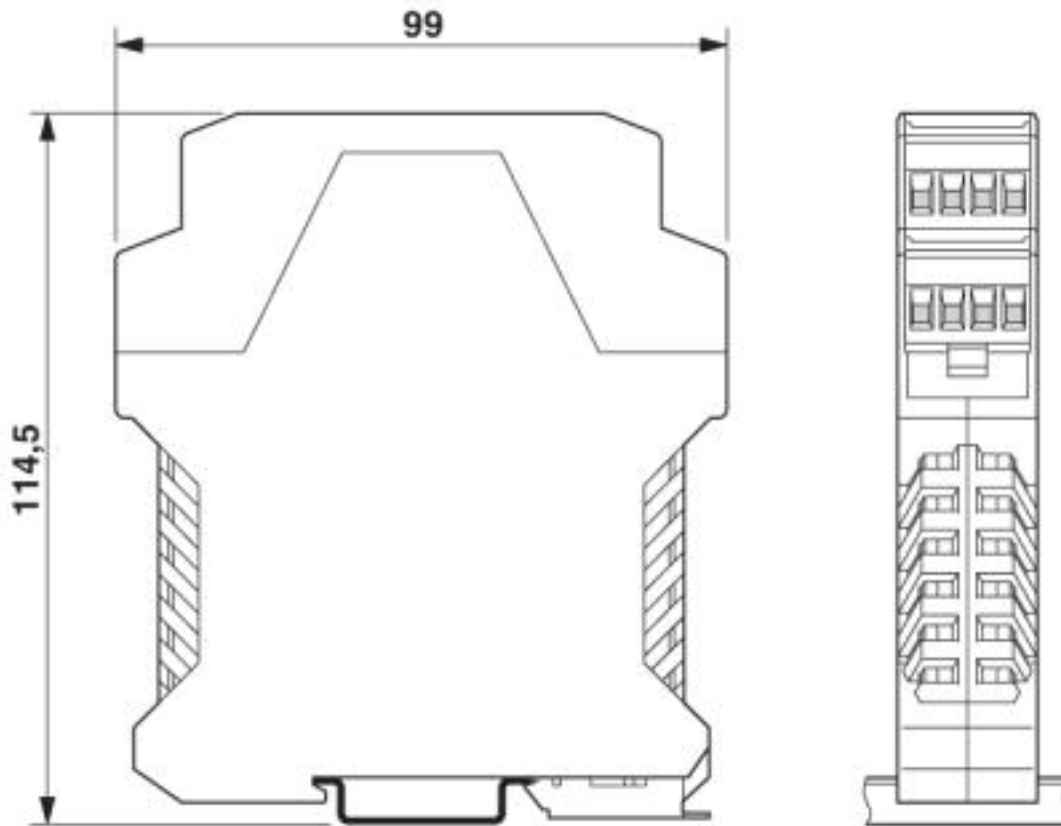
MKDSO 2,5/ 2-R - 1707195



Drawings

Electronic housing - ME 12,5 UTG KMGY - 2854762

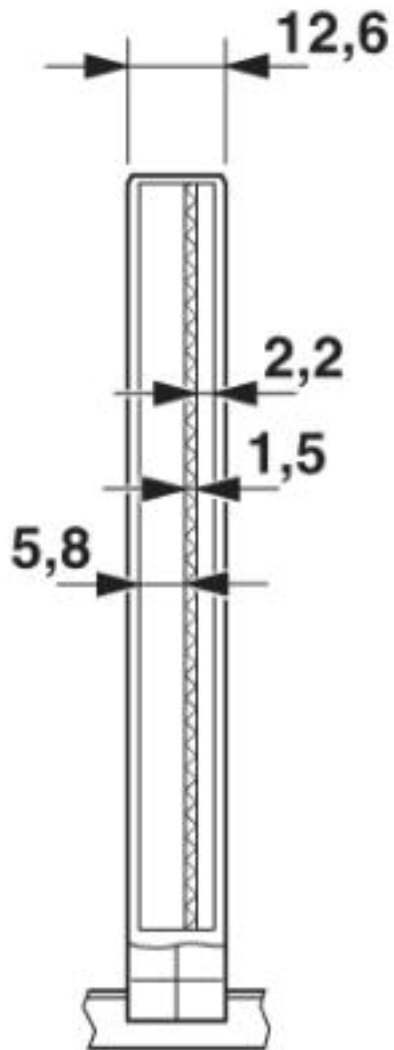
Dimensioned drawing



Dimensions of the electronic housing ME... with double-level upper part

Electronic housing - ME 12,5 UTG KMGY - 2854762

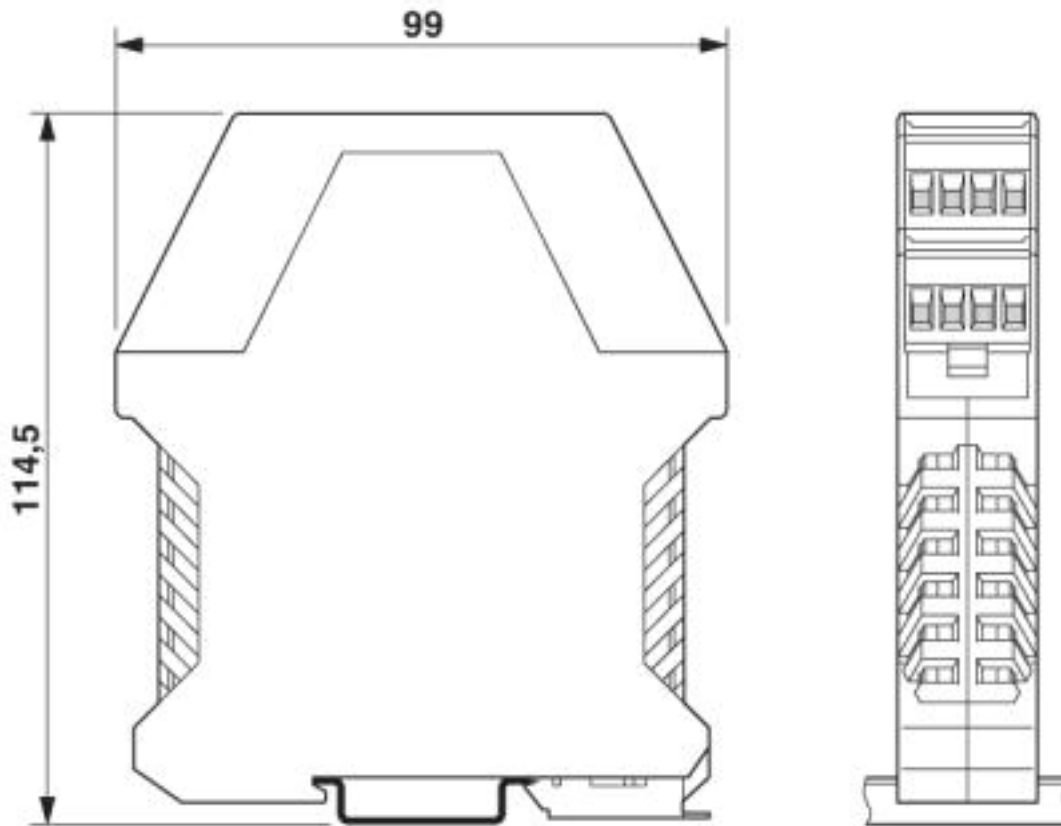
Dimensioned drawing



Inner housing dimensions, electronic housing ME 17,5 ...

Electronic housing - ME 12,5 UTG KMGY - 2854762

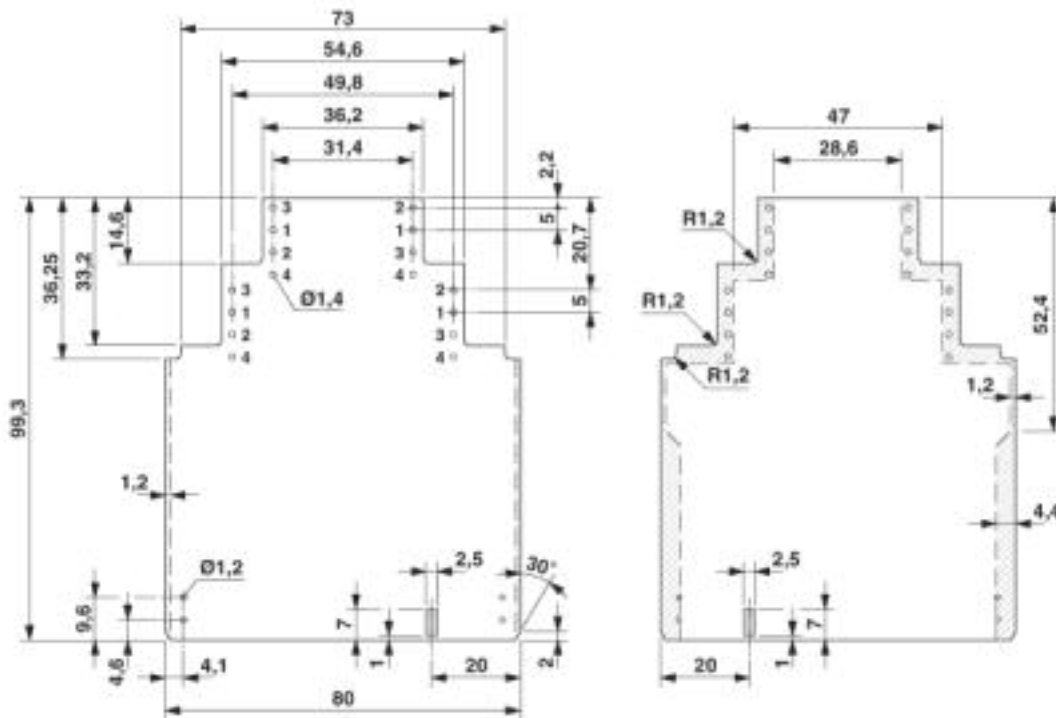
Dimensioned drawing



Dimensions of the electronic housing ME... with double-level upper part

Electronic housing - ME 12,5 UTG KMGY - 2854762

Dimensioned drawing



Dimensional drawing of the ME... printed circuit board if the double level upper part is used

© Phoenix Contact 2013 - all rights reserved
<http://www.phoenixcontact.com>