

Electronic housing - ME 45 UTM G GN - 2853417

Please be informed that the data shown in this PDF Document is generated from our Online Catalog. Please find the complete data in the user's documentation. Our General Terms of Use for Downloads are valid (<http://download.phoenixcontact.com>)



Intermediate element for modular extension of the volume of the housing in the pitch. The closed intermediate element is 22.5 mm wide.

Illustration shows a fully mounted version of the electronic housing

Key commercial data

package_quantity	10
GTIN	4017918173098

classifications

eCl@ss

eCl@ss 4.0	27180401
eCl@ss 4.1	27180401
eCl@ss 5.0	27180506
eCl@ss 5.1	27180506
eCl@ss 6.0	27180802
eCl@ss 7.0	27182702
eCl@ss 8.0	27182702

ETIM

ETIM 2.0	EC001031
ETIM 3.0	EC001031
ETIM 4.0	EC001031
ETIM 5.0	EC000886

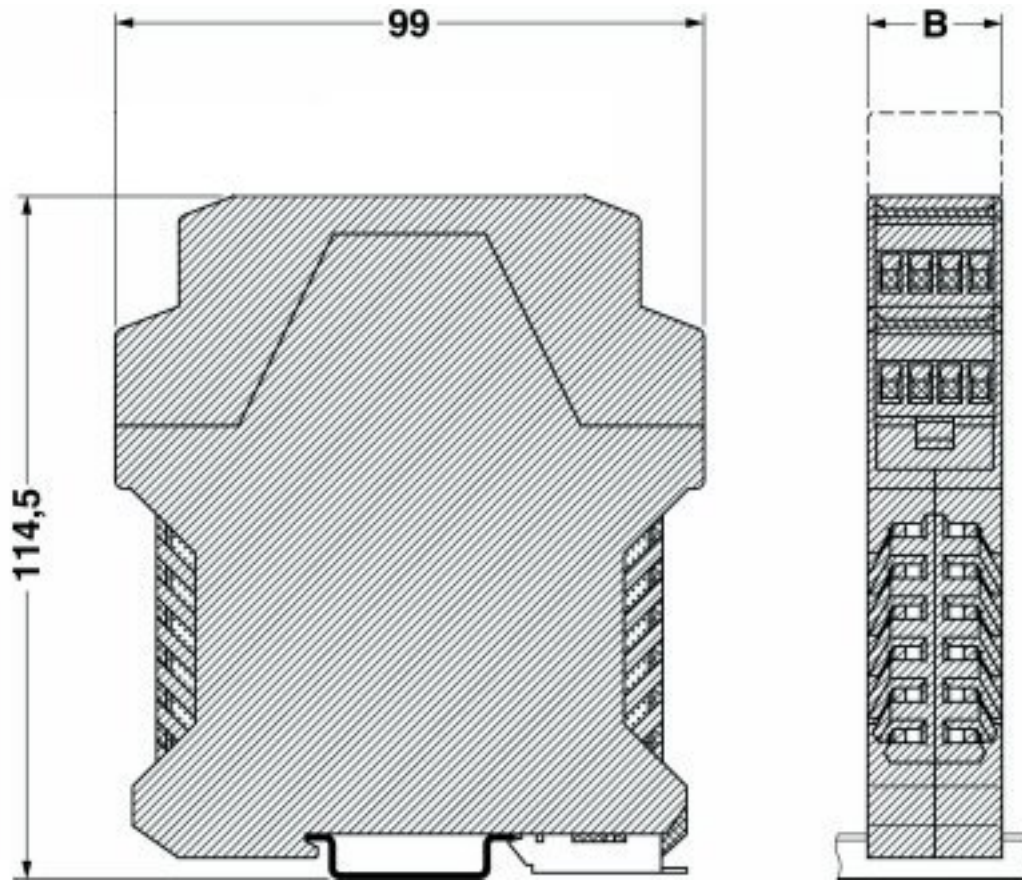
UNSPSC

UNSPSC 6.01	31261501
UNSPSC 7.0901	31261501
UNSPSC 11	31261501
UNSPSC 12.01	31261501
UNSPSC 13.2	31261501

Drawings

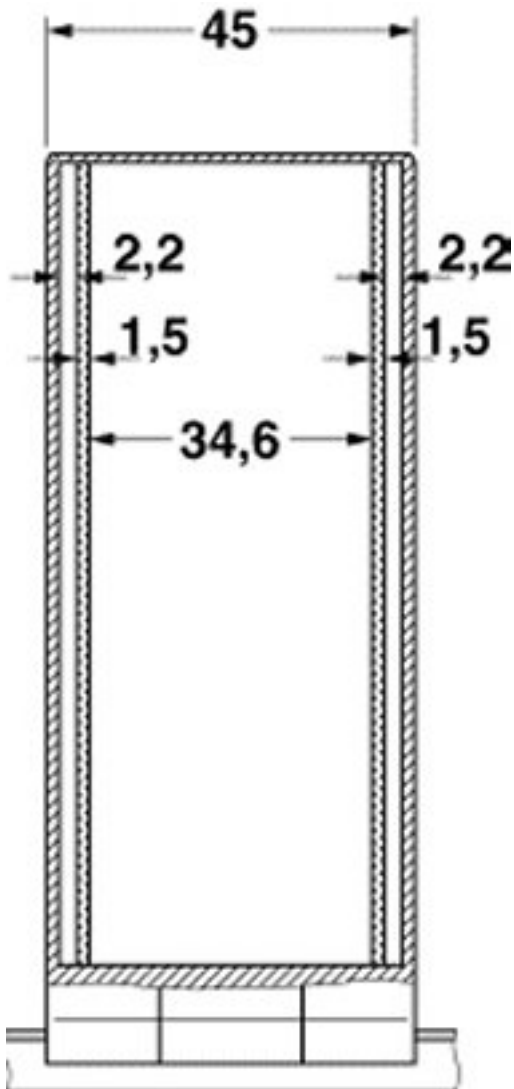
Electronic housing - ME 45 UTM G GN - 2853417

Dimensioned drawing



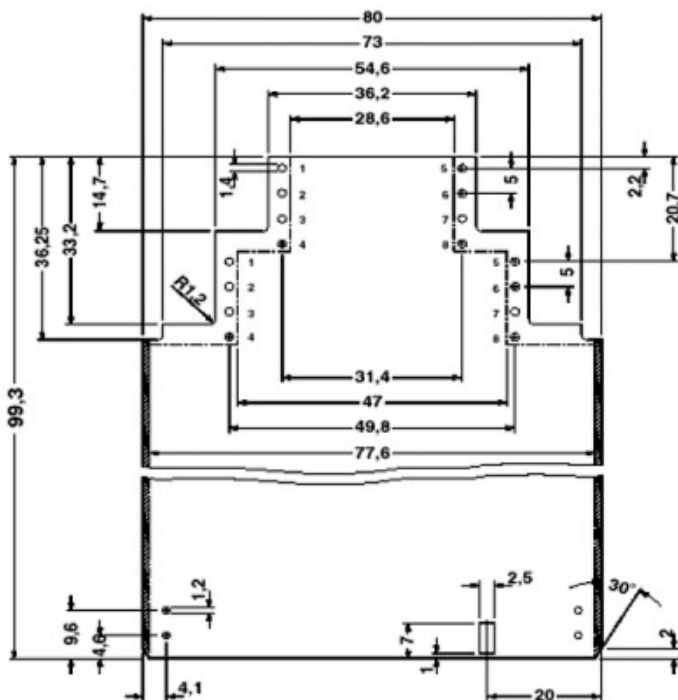
Electronic housing - ME 45 UTM G GN - 2853417

Dimensioned drawing



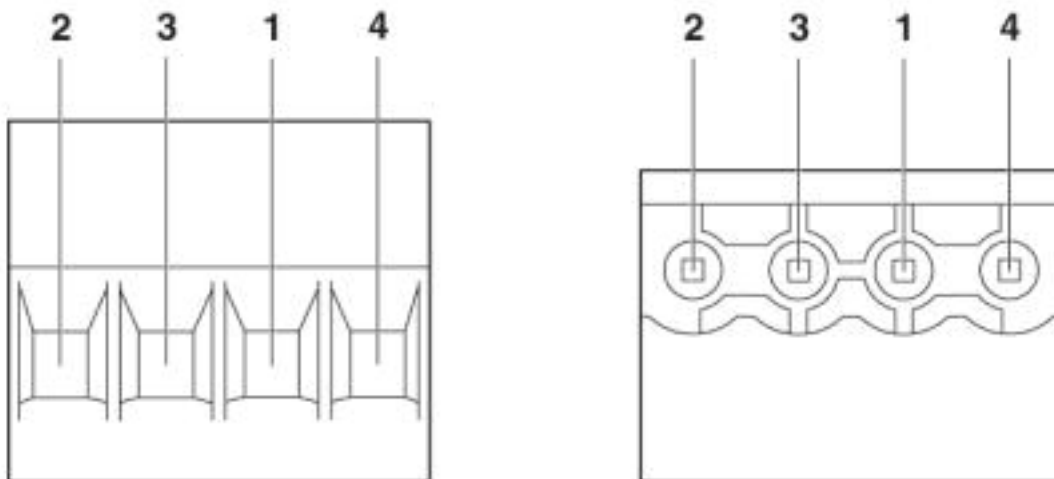
Electronic housing - ME 45 UTM G GN - 2853417

Dimensioned drawing



Component mounting side, if the double-level upper part is used

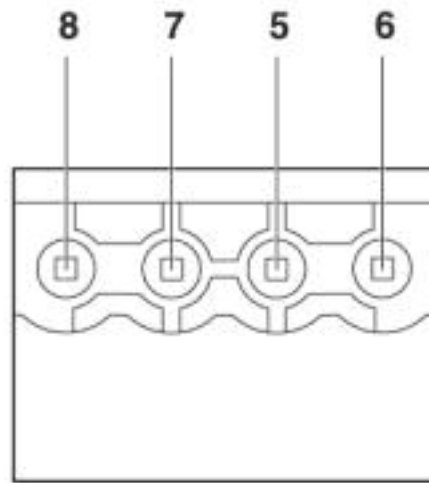
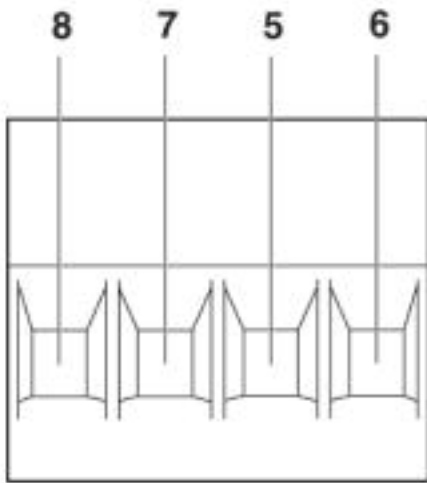
Schematic diagram



Pin assignment left

Electronic housing - ME 45 UTM G GN - 2853417

Schematic diagram



Pin assignment right

© Phoenix Contact 2013 - all rights reserved
<http://www.phoenixcontact.com>