

Electronic housing - UEGH 22,5 - 2757102

Please be informed that the data shown in this PDF Document is generated from our Online Catalog. Please find the complete data in the user's documentation. Our General Terms of Use for Downloads are valid (<http://download.phoenixcontact.com>)



Electronic housing, double-level, fully equipped with 6 screw connections per side for one printed circuit board

Product Features

- Can accommodate up to two PCBs
- Increased number of positions thanks to optional UEGM-MT FS slip-on connections
- Can be snapped onto standard NS 35/7,5 and NS 35/15 DIN rails
- Efficient assembly thanks to overlapping housing parts

Key commercial data

package_quantity	10
GTIN	4017918063542

Technical data

General

Housing type	Complete housing
Housing material	Polyamide (PA 6.6)
Color	green

Ambient conditions

Ambient temperature (operation)	-40 °C ... 105 °C
---------------------------------	-------------------

Dimensions

Length	79 mm
Constructional height	106.7 mm
Width	22.5 mm
Pitch	5 mm

Technical data

Connection in acc. with standard	CUL
Nominal voltage U_N	300 V
Nominal current I_N	10 A
AWG/kcmil	30-12
Indicator1	CUL1
Inflammability class according to UL 94	V0
Power dissipation at 20°C in the horizontal mounting position	4.6 W 6.7 W

Electronic housing - UEGH 22,5 - 2757102

Technical data

Technical data

Number of positions	12
----------------------------	----

Connection data

Conductor cross section solid min.	0.2 mm ²
Conductor cross section solid max.	4 mm ²
Conductor cross section stranded min.	0.2 mm ²
Conductor cross section stranded max.	2.5 mm ²
Conductor cross section AWG/kcmil min.	24
Conductor cross section AWG/kcmil max	12
Stripping length	8 mm

classifications

eCl@ss

eCl@ss 4.0	27180401
eCl@ss 4.1	27180401
eCl@ss 5.0	27180506
eCl@ss 5.1	27180506
eCl@ss 6.0	27180802
eCl@ss 7.0	27182702
eCl@ss 8.0	27182702

ETIM

ETIM 2.0	EC001031
ETIM 3.0	EC001031
ETIM 4.0	EC001031
ETIM 5.0	EC001031

UNSPSC

UNSPSC 6.01	31261501
UNSPSC 7.0901	31261501
UNSPSC 11	31261501
UNSPSC 12.01	31261501
UNSPSC 13.2	31261501

approvals

UL Recognized / cUL Recognized / GOST / GOST / cULus Recognized /

Approval details

Electronic housing - UEGH 22,5 - 2757102

approvals

UL Recognized

cUL Recognized

Usegroups	B	D
Nominal voltage UN	300 V	300 V
Nominal current IN	10 A	10 A
mm ² /AWG/kcmil	30-12	30-12

GOST

cULus Recognized

accessories

Bridge

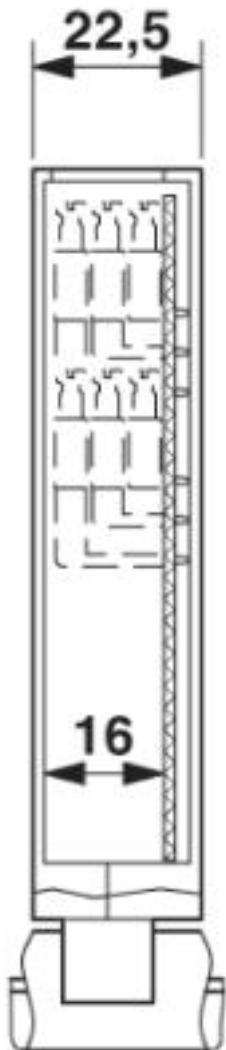
DB 50- 90 GY - 2820929



Drawings

Electronic housing - UEGH 22,5 - 2757102

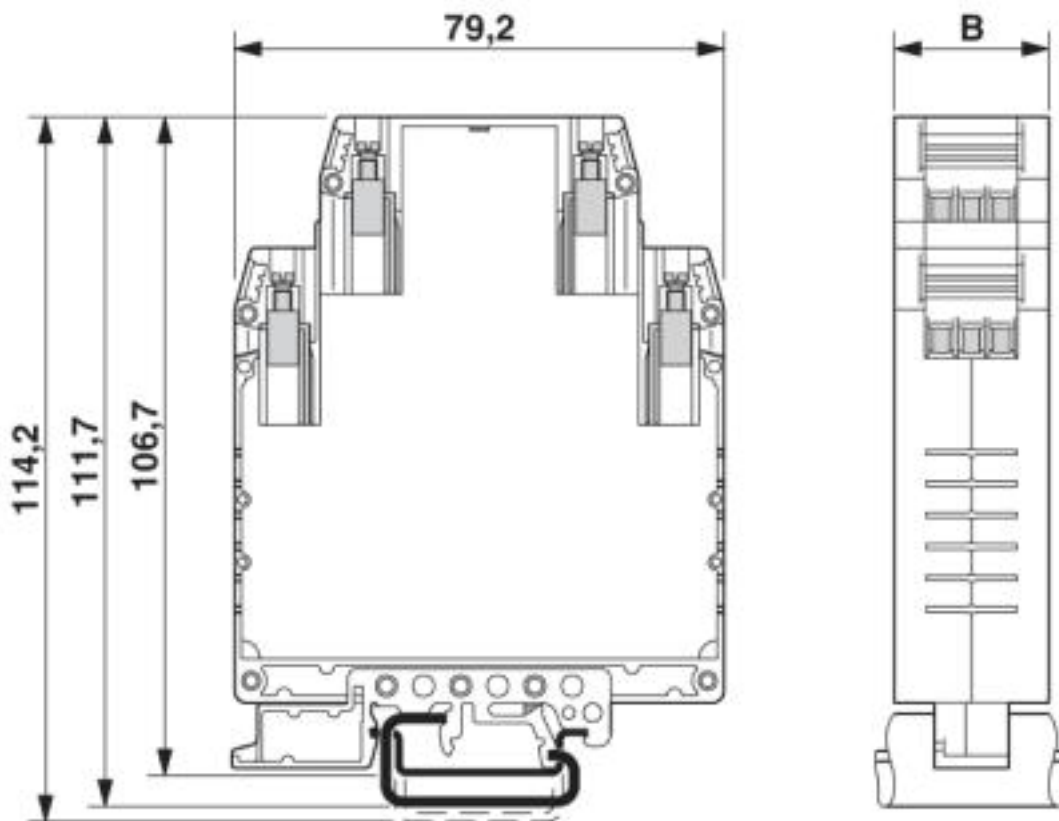
Dimensioned drawing



For 1 PCB, 12 pos.

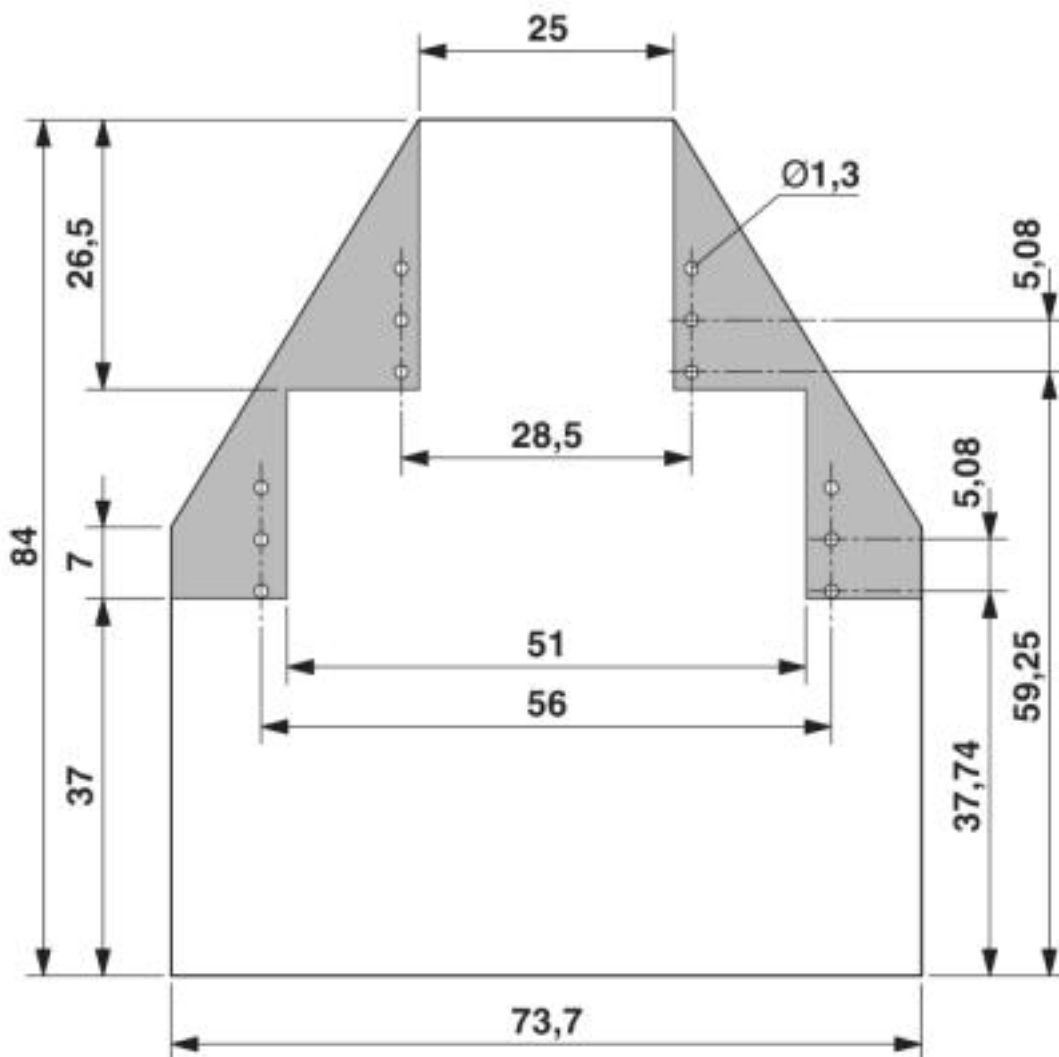
Electronic housing - UEGH 22,5 - 2757102

Dimensioned drawing



Electronic housing - UEGH 22,5 - 2757102

Dimensioned drawing



Electronic housing - UEGH 22,5 - 2757102

Schematic diagram

