

Electronic housing - EG 67,5-GMF/PC GN - 2764894

Please be informed that the data shown in this PDF Document is generated from our Online Catalog. Please find the complete data in the user's documentation. Our General Terms of Use for Downloads are valid (<http://download.phoenixcontact.com>)



Housing base, with metal foot catch

Illustration shows a fully mounted version of the electronic housing

Product Features

- Tool-free mounting
- Optimum accommodation of electronic components with graded pitches with a design width of 22.5 mm, 45 mm, 67.5 mm, and 90 mm
- Functional and industry-oriented housing technology
- Practical and easy-to-wire conductor connection using extra finely stranded sturdy screw terminal blocks up to 2.5 mm²
- Fast snap-on mounting on symmetrical DIN rails according to EN 60715
- Date of manufacture and material and part identification embossed on the housing (recyclability)
- Shock and contamination-proof accommodation of electronic components (IP40 housing, IP20 terminal blocks)

Key commercial data

package_quantity	10
GTIN	4017918131944

Technical data

General

Housing type	Component housing
Housing material	polycarbonate
Color	green

Ambient conditions

Ambient temperature (operation)	-40 °C ... 125 °C
--	-------------------

Dimensions

Length	75 mm
Constructional height	107.5 mm
Width	67.5 mm

Technical data

Inflammability class according to UL 94	V0
Power dissipation at 20°C in the horizontal mounting position	5 W 7.5 W
Number of positions	26

Electronic housing - EG 67,5-GMF/PC GN - 2764894

classifications

eCl@ss

eCl@ss 4.0	27180401
eCl@ss 4.1	27180401
eCl@ss 5.0	27180506
eCl@ss 5.1	27180506
eCl@ss 6.0	27180802
eCl@ss 7.0	27182702
eCl@ss 8.0	27182702

ETIM

ETIM 2.0	EC001031
ETIM 3.0	EC001031
ETIM 4.0	EC001031
ETIM 5.0	EC001031

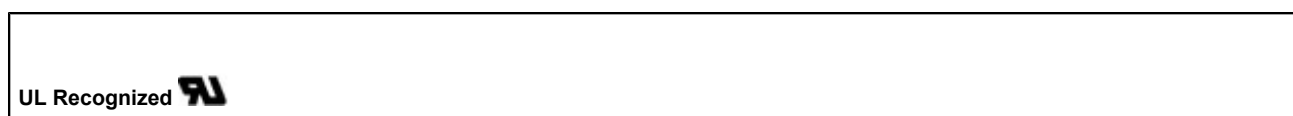
UNSPSC

UNSPSC 6.01	31261501
UNSPSC 7.0901	31261501
UNSPSC 11	31261501
UNSPSC 12.01	31261501
UNSPSC 13.2	31261501

approvals

UL Recognized /

Approval details



accessories

Coding element

CR-MSTB - 1734401



Electronic housing - EG 67,5-GMF/PC GN - 2764894

accessories

CP-MSTB - 1734634



CR-MSTB - 1734401



CP-MSTB - 1734634



PCB plug

MVSTBW 2,5/ 9-ST - 1792595



MVSTBW 2,5/13-ST - 1792634



Electronic housing - EG 67,5-GMF/PC GN - 2764894

accessories

MVSTBW 2,5/ 4-STEHL - 1784299

MVSTBW 2,5/ 9-STEHL - 1763401

FKCT 2,5/13-ST - 1909320



FKCT 2,5/13-ST-5,08 - 1902220



Printed circuit board terminal

MKKDSH 3/ 2 - 1721045



Electronic housing - EG 67,5-GMF/PC GN - 2764894

accessories

MKKDSH 3/ 3 - 1721346

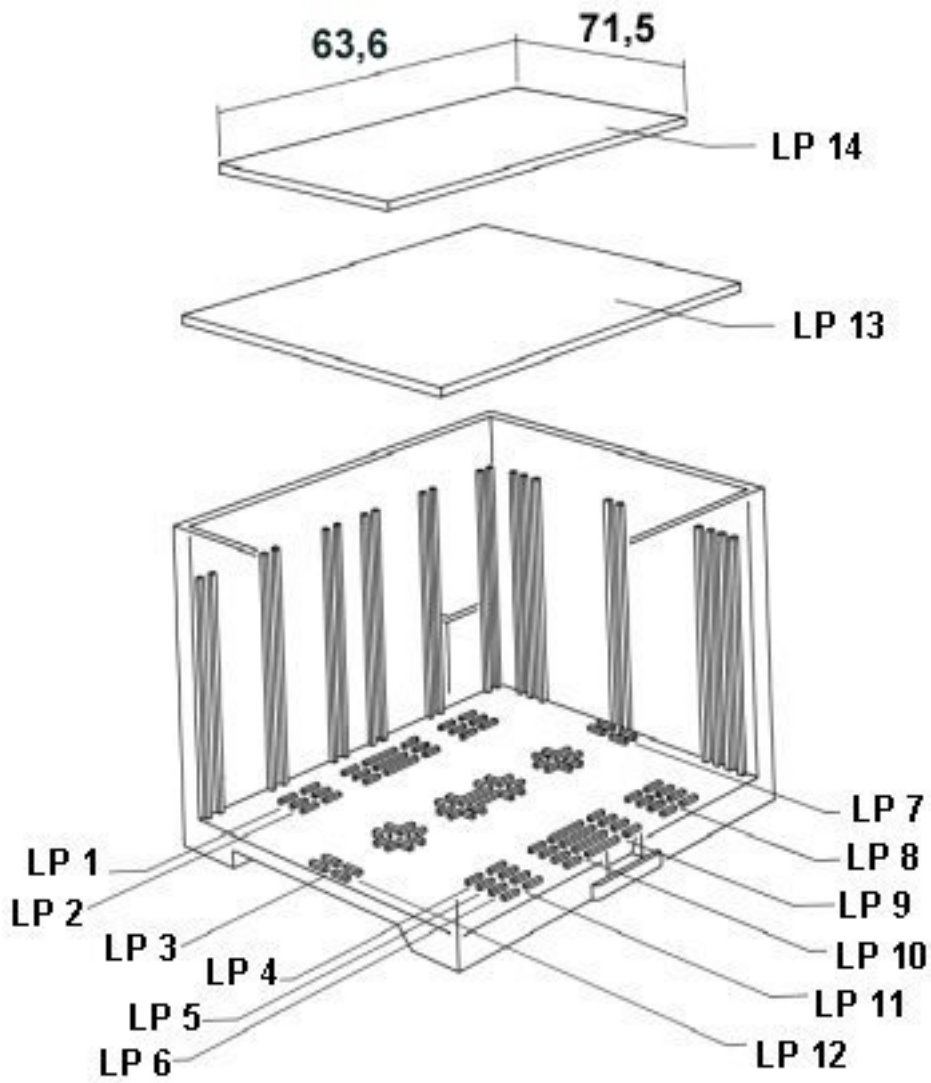


MKKDSH 3/ 8 - 1703283

Drawings

Electronic housing - EG 67,5-GMF/PC GN - 2764894

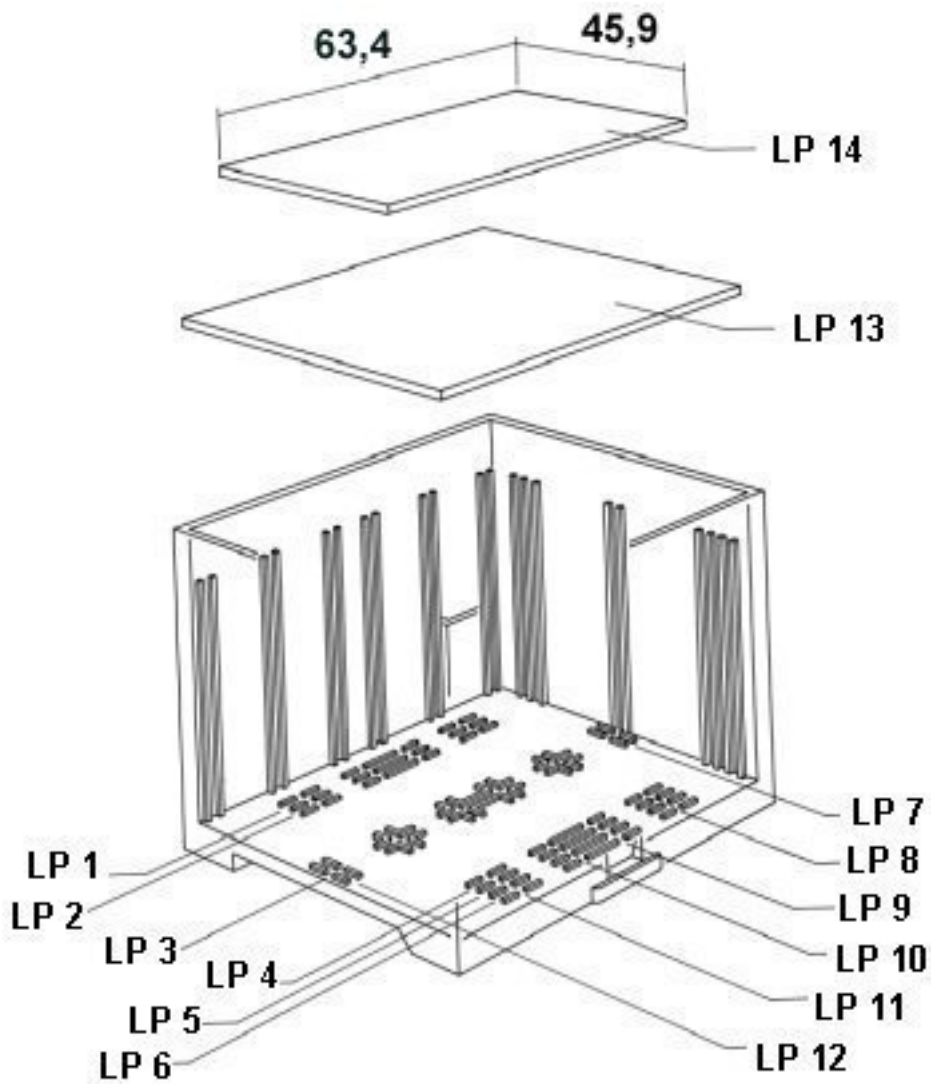
Explosion drawing



valid for PCB 13

Electronic housing - EG 67,5-GMF/PC GN - 2764894

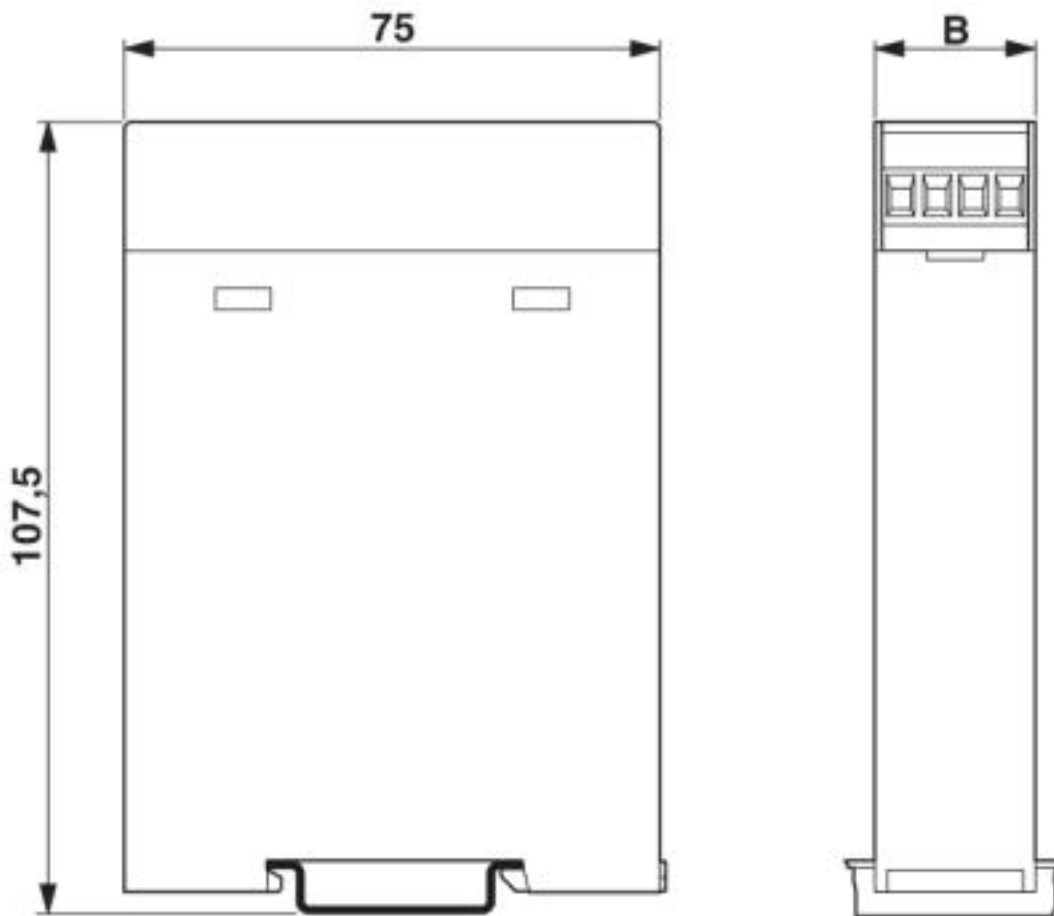
Explosion drawing



valid for PCB 14

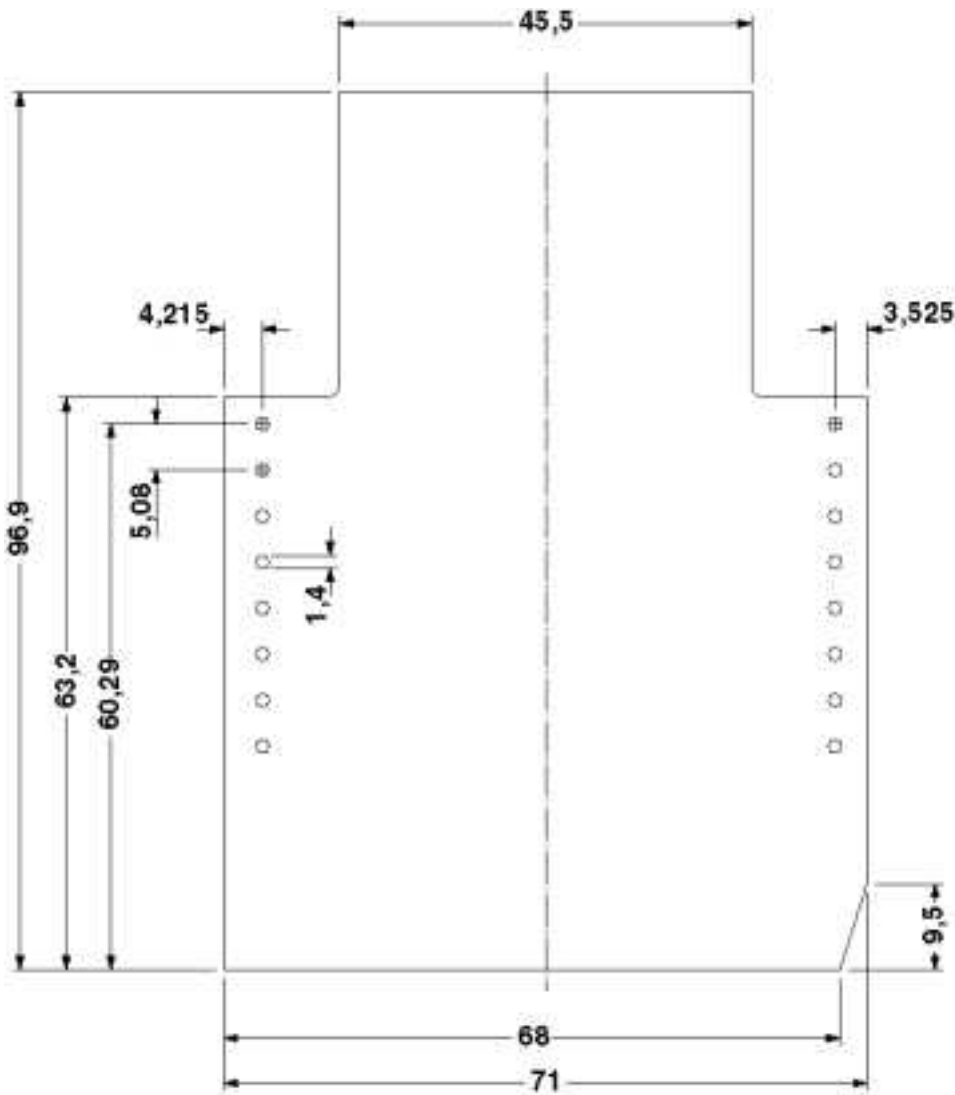
Electronic housing - EG 67,5-GMF/PC GN - 2764894

Dimensioned drawing



Electronic housing - EG 67,5-GMF/PC GN - 2764894

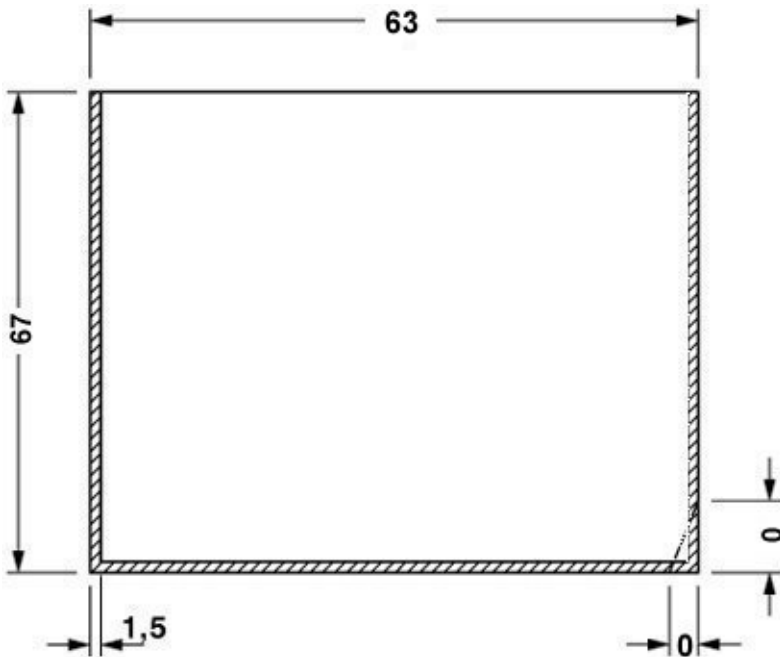
Dimensioned drawing



Component mounting side, if the double-level upper part is used

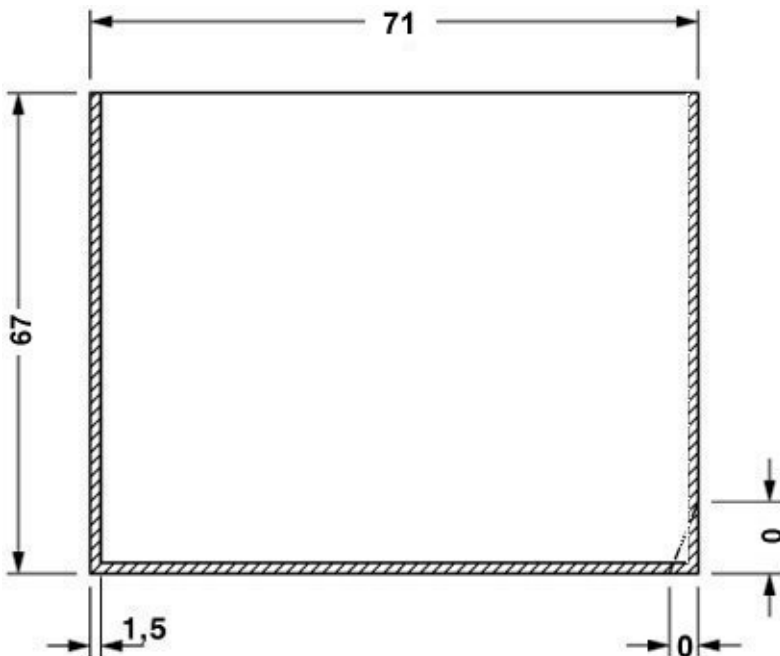
Electronic housing - EG 67,5-GMF/PC GN - 2764894

Dimensioned drawing



valid for PCB 1; 2; 3; 4; 5 und 6, see explosion drawing

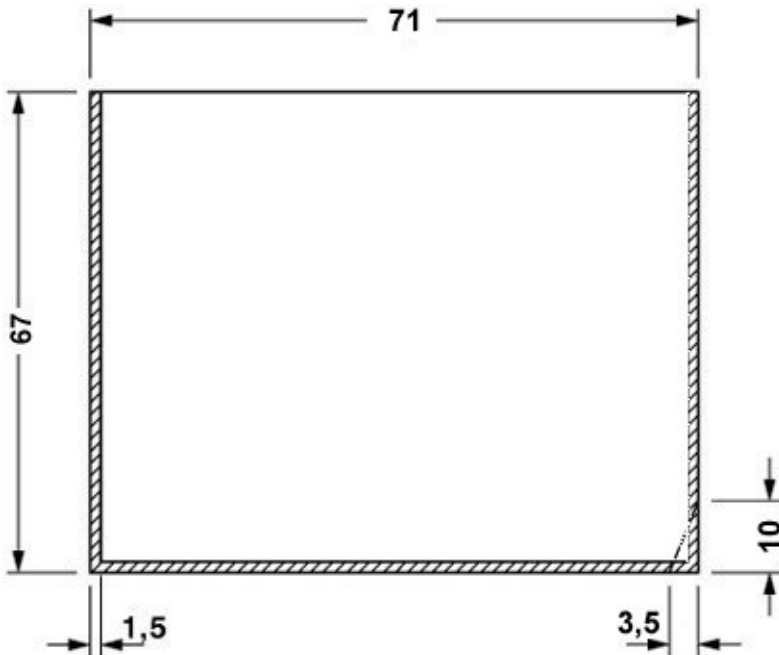
Dimensioned drawing



valid for PCB 7; 8; 11 and 12, see explosion drawing

Electronic housing - EG 67,5-GMF/PC GN - 2764894

Dimensioned drawing



valid for PCB 9, see explosion drawing

© Phoenix Contact 2013 - all rights reserved
<http://www.phoenixcontact.com>