

Electronic housing - E/ME TBUS NS35 GY - 2713780

Please be informed that the data shown in this PDF Document is generated from our Online Catalog. Please find the complete data in the user's documentation. Our General Terms of Use for Downloads are valid (<http://download.phoenixcontact.com>)



End clamp, stable construction for DIN rail bus connector

Key commercial data

package_quantity	50
GTIN	4017918943493

classifications

eCl@ss

eCl@ss 4.0	27180401
eCl@ss 4.1	27180401
eCl@ss 5.0	27180506
eCl@ss 5.1	27180506
eCl@ss 6.0	27180802
eCl@ss 7.0	27449001
eCl@ss 8.0	27449001

ETIM

ETIM 2.0	EC001031
ETIM 3.0	EC001031
ETIM 4.0	EC001031
ETIM 5.0	EC001031

UNSPSC

UNSPSC 6.01	31261501
UNSPSC 7.0901	31261501
UNSPSC 11	31261501
UNSPSC 12.01	31261501
UNSPSC 13.2	31261501

approvals

UL Recognized /

Approval details

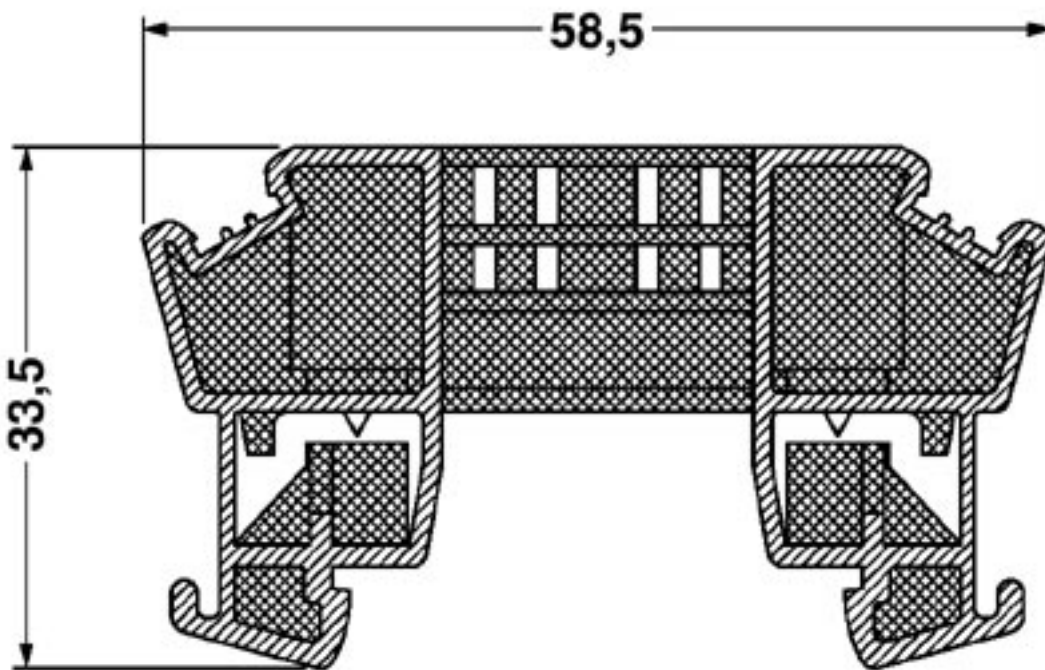
Electronic housing - E/ME TBUS NS35 GY - 2713780

approvals

UL Recognized 

Drawings

Dimensioned drawing



Electronic housing - E/ME TBUS NS35 GY - 2713780

Dimensioned drawing

