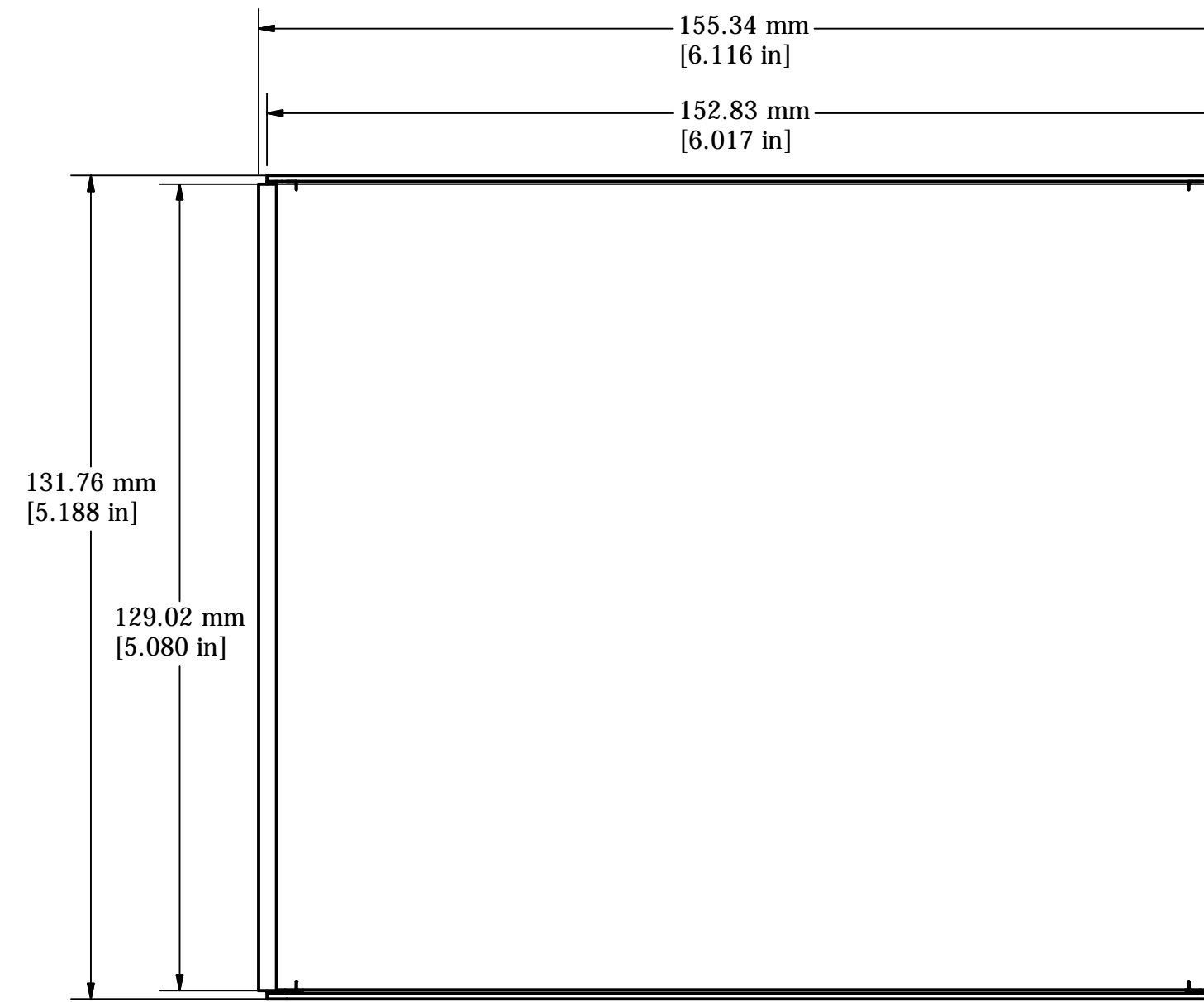
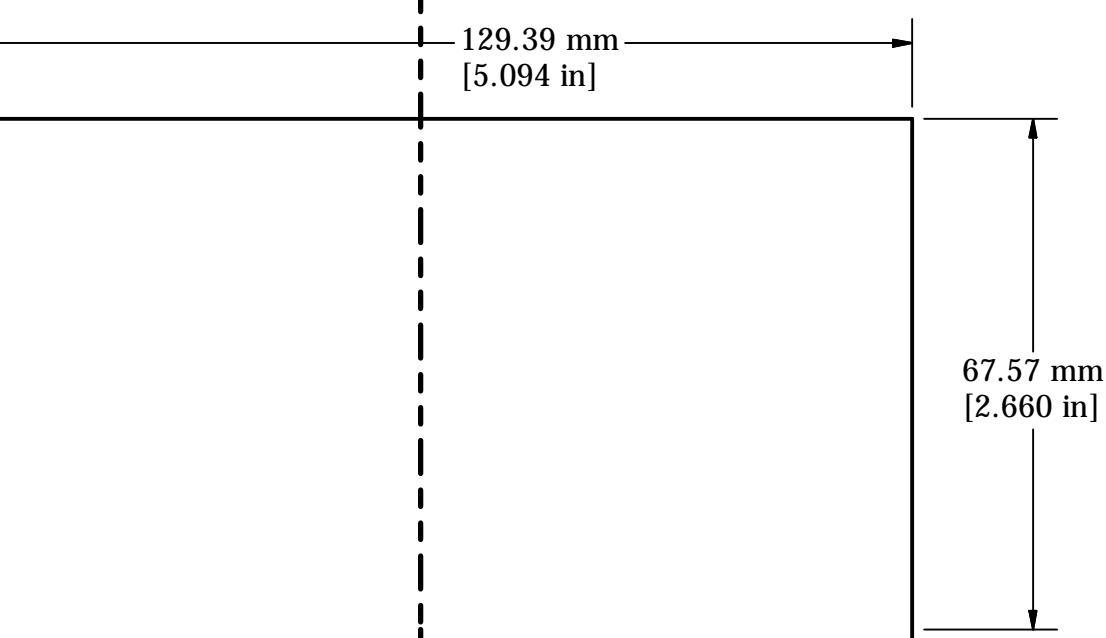
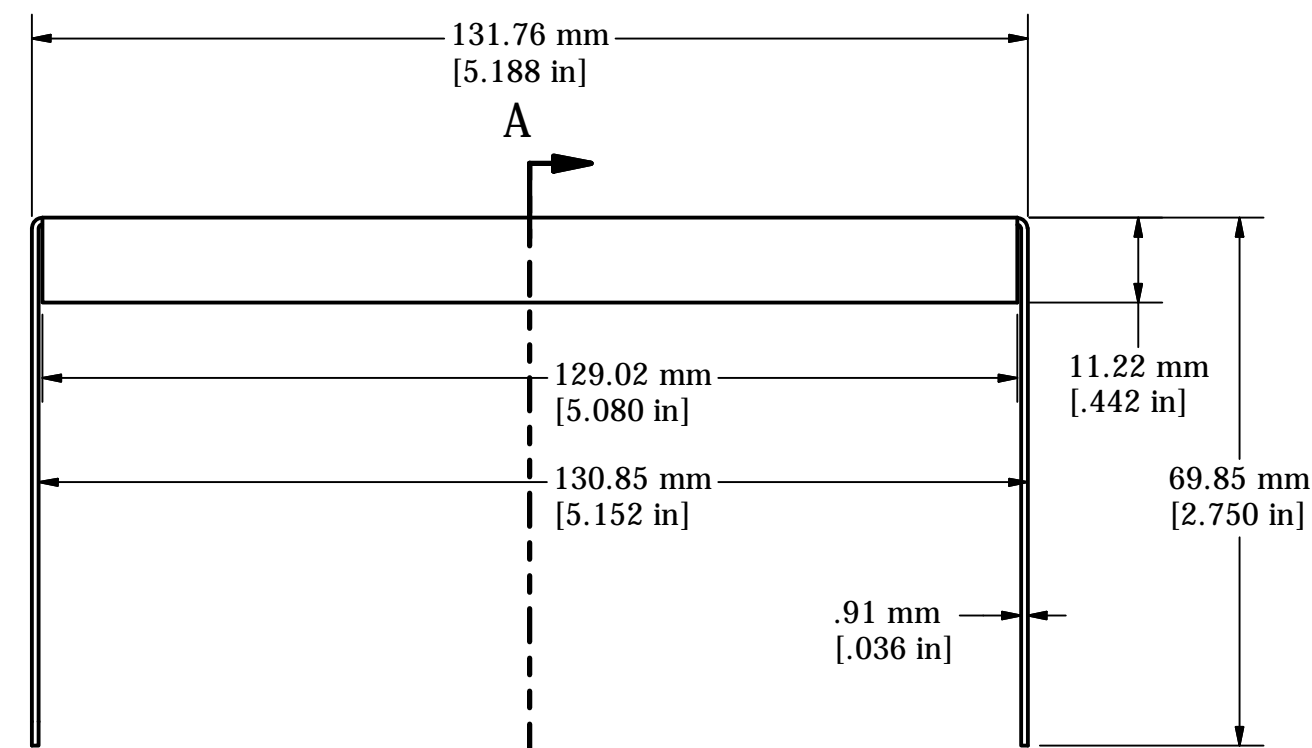
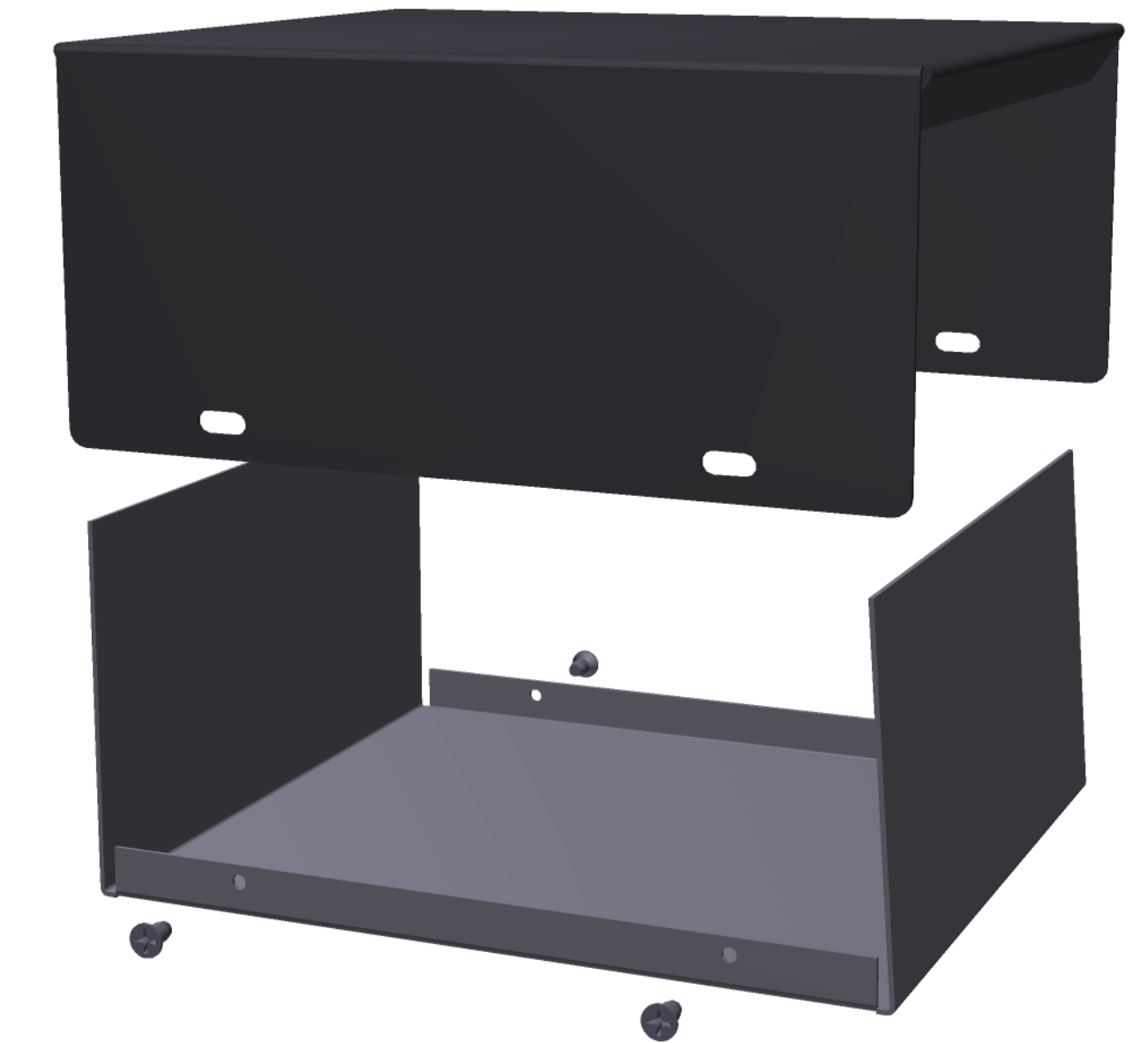


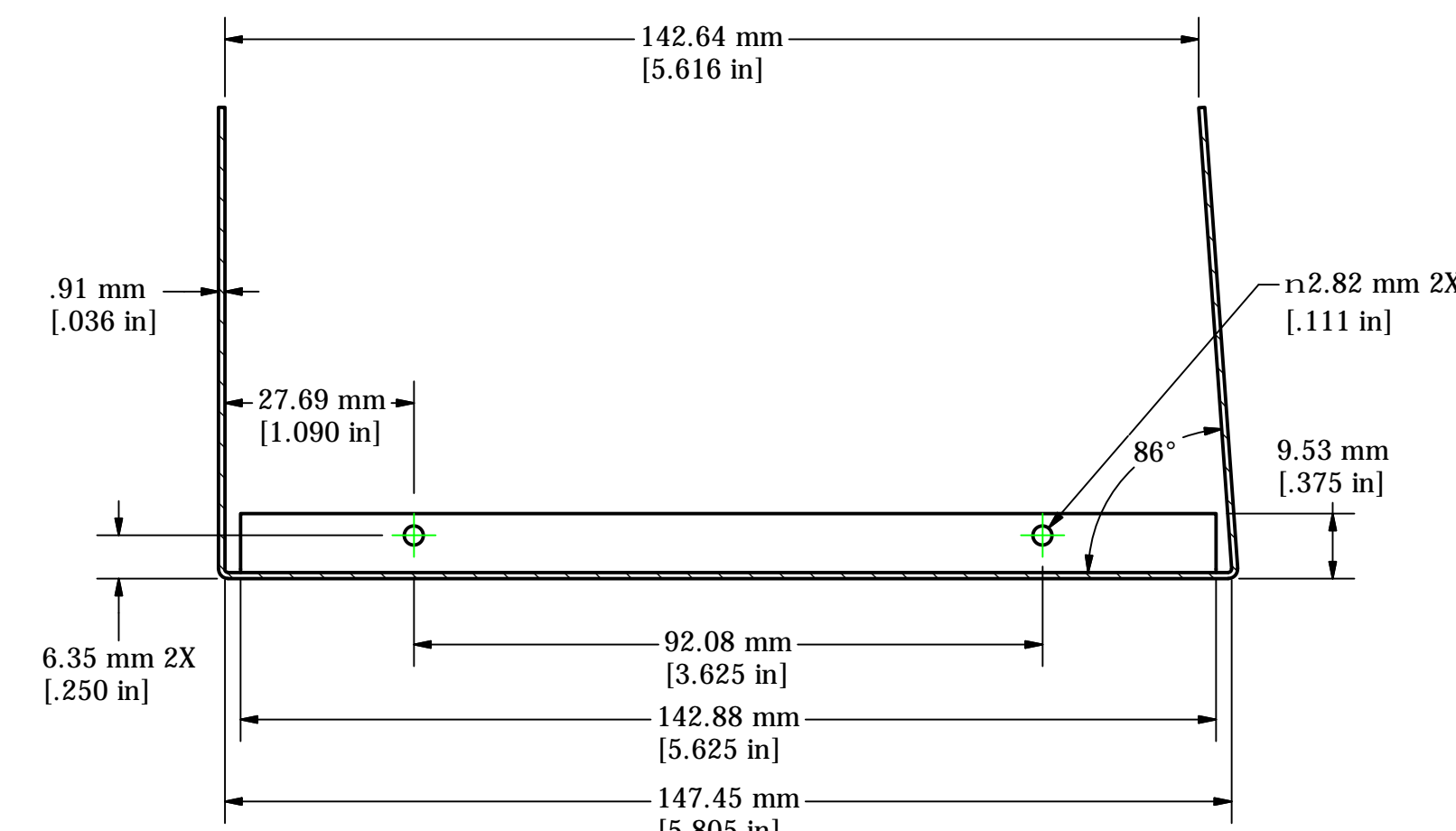
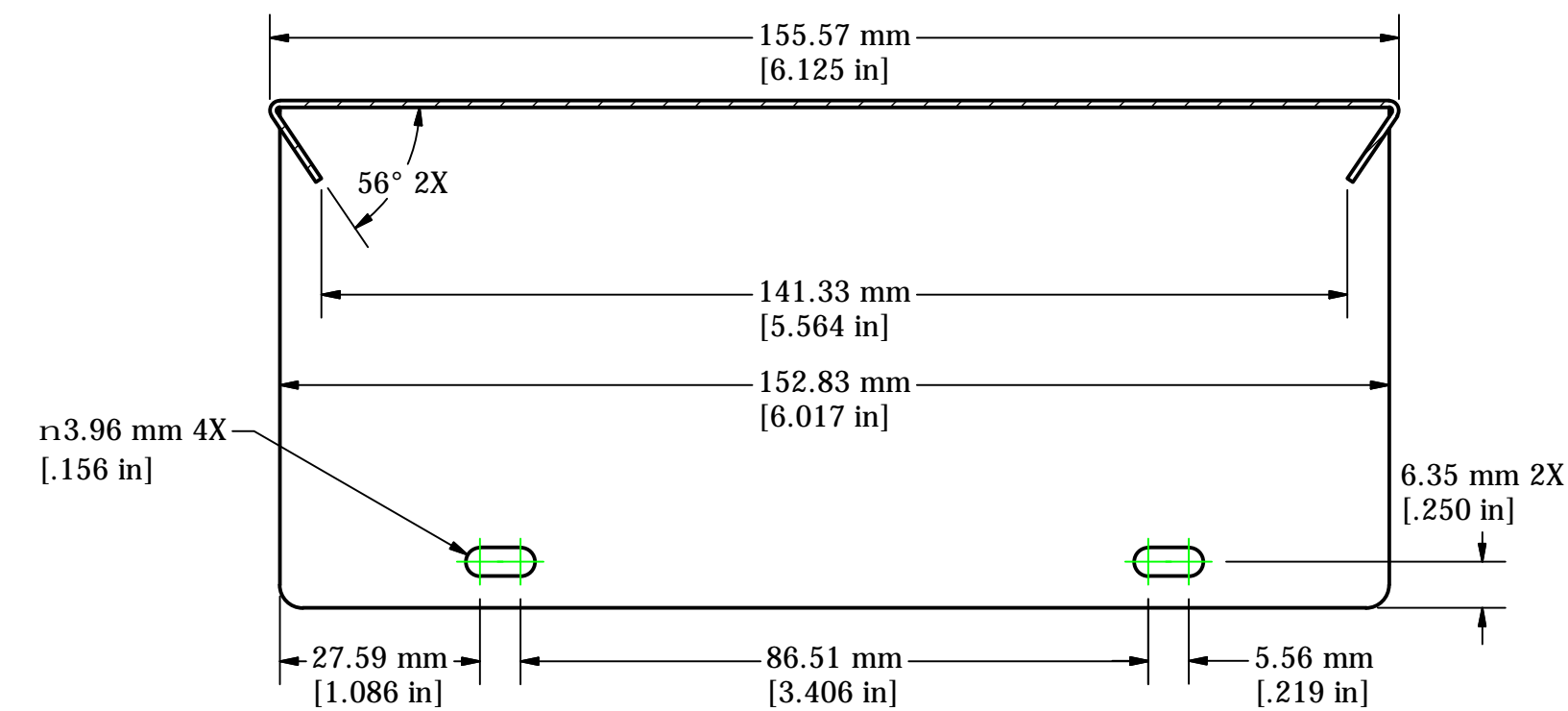
TOP VIEW OF ASSEMBLY



BOTTOM VIEW OF ASSEMBLY



END VIEW OF EXPLODED ASSEMBLY



END SECTION VIEW OF EXPLODED ASSEMBLY
SECTION A-A

Contact Factory mjm@hammondmfg.com for quotes
Enclosures can be Factory Modified (Milling, Drilling, Printing etc.)
Solid models of this enclosure available in STEP or IGES.

| |
|--|
| 1454DD |
| Material: 20 ga. Steel, Gray color |
| Cover: 20 ga. Steel, Textured black finish |
| Screws: 4 Supplied (#6-32 X 1/4" self tap) |
| Feet: Self-Adhesive rubber |



1454DD
www.hammondmfg.com