

# Electronic housing - UEGM 40/2 BU - 2792604

Please be informed that the data shown in this PDF Document is generated from our Online Catalog. Please find the complete data in the user's documentation. Our General Terms of Use for Downloads are valid (<http://download.phoenixcontact.com>)



Electronic housing, fully equipped with 6 screw connections per side for two PCBs

The illustration shows a green version

## Key commercial data

|                         |               |
|-------------------------|---------------|
| <b>package_quantity</b> | 10            |
| <b>GTIN</b>             | 4017918365318 |

## classifications

### eCl@ss

|                   |          |
|-------------------|----------|
| <b>eCl@ss 4.0</b> | 27180401 |
| <b>eCl@ss 4.1</b> | 27180401 |
| <b>eCl@ss 5.0</b> | 27180506 |
| <b>eCl@ss 5.1</b> | 27180506 |
| <b>eCl@ss 6.0</b> | 27180802 |
| <b>eCl@ss 7.0</b> | 27182702 |
| <b>eCl@ss 8.0</b> | 27182702 |

### ETIM

|                 |          |
|-----------------|----------|
| <b>ETIM 2.0</b> | EC001031 |
| <b>ETIM 3.0</b> | EC001031 |
| <b>ETIM 4.0</b> | EC001031 |

### UNSPSC

|                      |          |
|----------------------|----------|
| <b>UNSPSC 6.01</b>   | 31261501 |
| <b>UNSPSC 7.0901</b> | 31261501 |
| <b>UNSPSC 11</b>     | 31261501 |
| <b>UNSPSC 12.01</b>  | 31261501 |
| <b>UNSPSC 13.2</b>   | 31261501 |

## approvals

UL Recognized / cUL Recognized / GOST / cULus Recognized /

## Approval details

# Electronic housing - UEGM 40/2 BU - 2792604

## approvals

|                            |       |
|----------------------------|-------|
| <b>UL Recognized</b>       |       |
| Nominal voltage UN         | 300 V |
| Nominal current IN         | 10 A  |
| mm <sup>2</sup> /AWG/kcmil | 30-12 |

|                            |       |
|----------------------------|-------|
| <b>cUL Recognized</b>      |       |
| Nominal voltage UN         | 300 V |
| Nominal current IN         | 10 A  |
| mm <sup>2</sup> /AWG/kcmil | 30-12 |

|             |
|-------------|
| <b>GOST</b> |
|-------------|

|                         |
|-------------------------|
| <b>cULus Recognized</b> |
|-------------------------|

## accessories

### Bridge

DB 50- 90 GY - 2820929

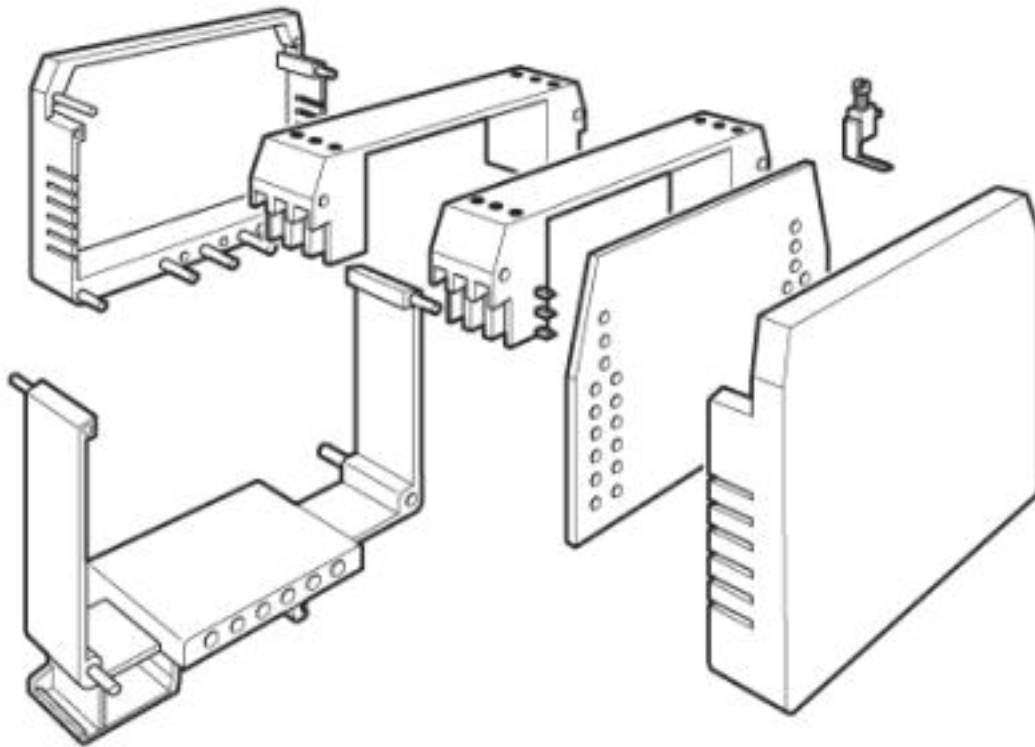


---

## Drawings

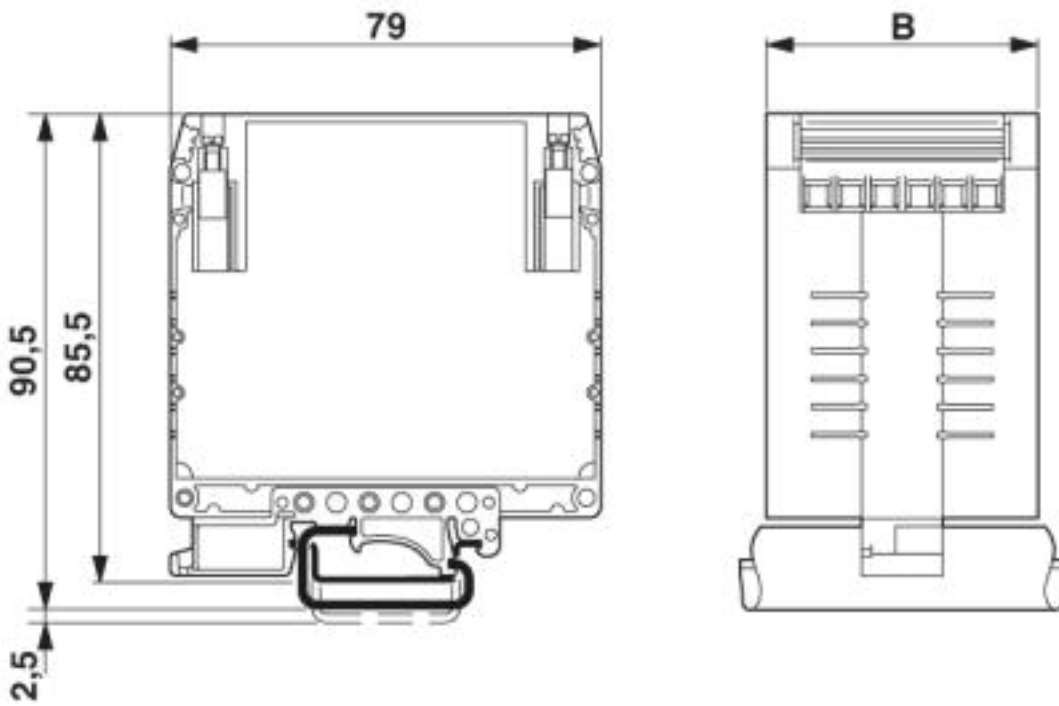
# Electronic housing - UEGM 40/2 BU - 2792604

Explosion drawing



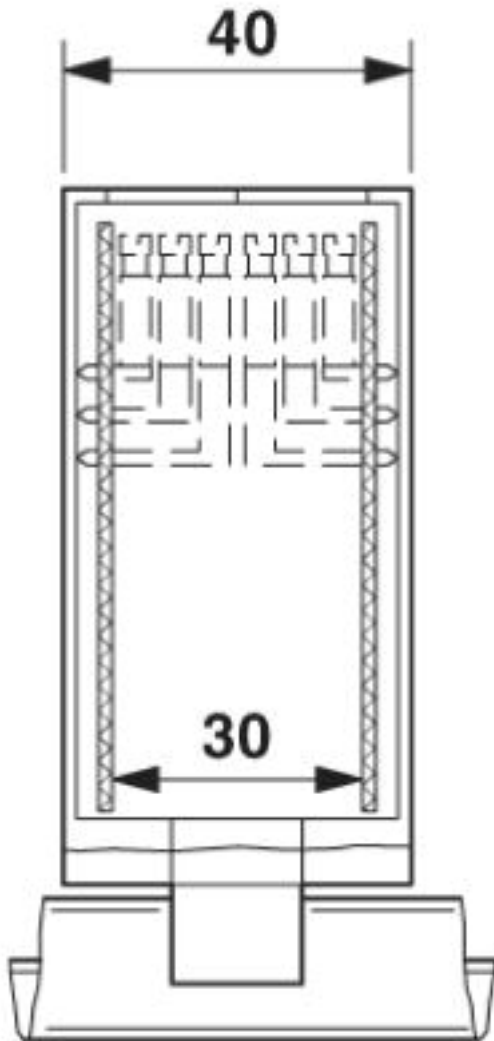
# Electronic housing - UEGM 40/2 BU - 2792604

Dimensioned drawing



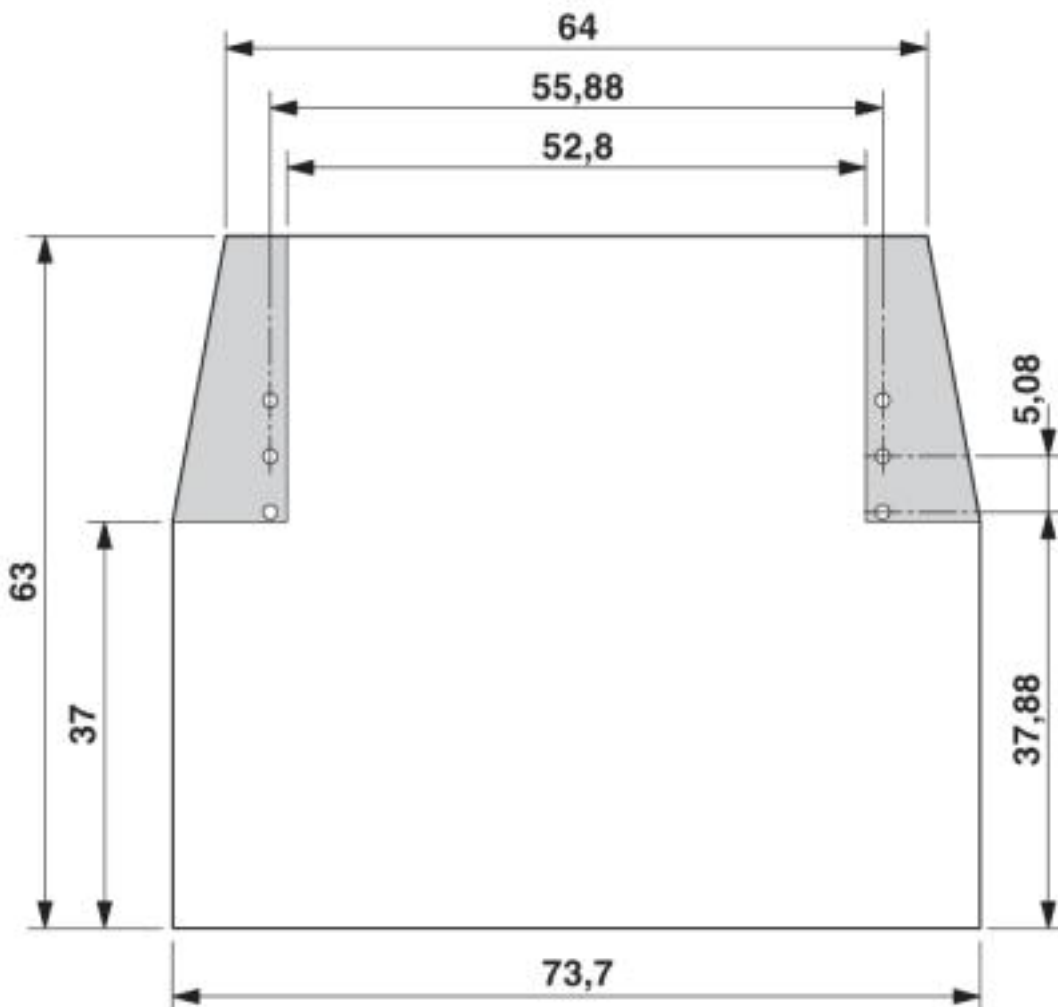
# Electronic housing - UEGM 40/2 BU - 2792604

Dimensioned drawing



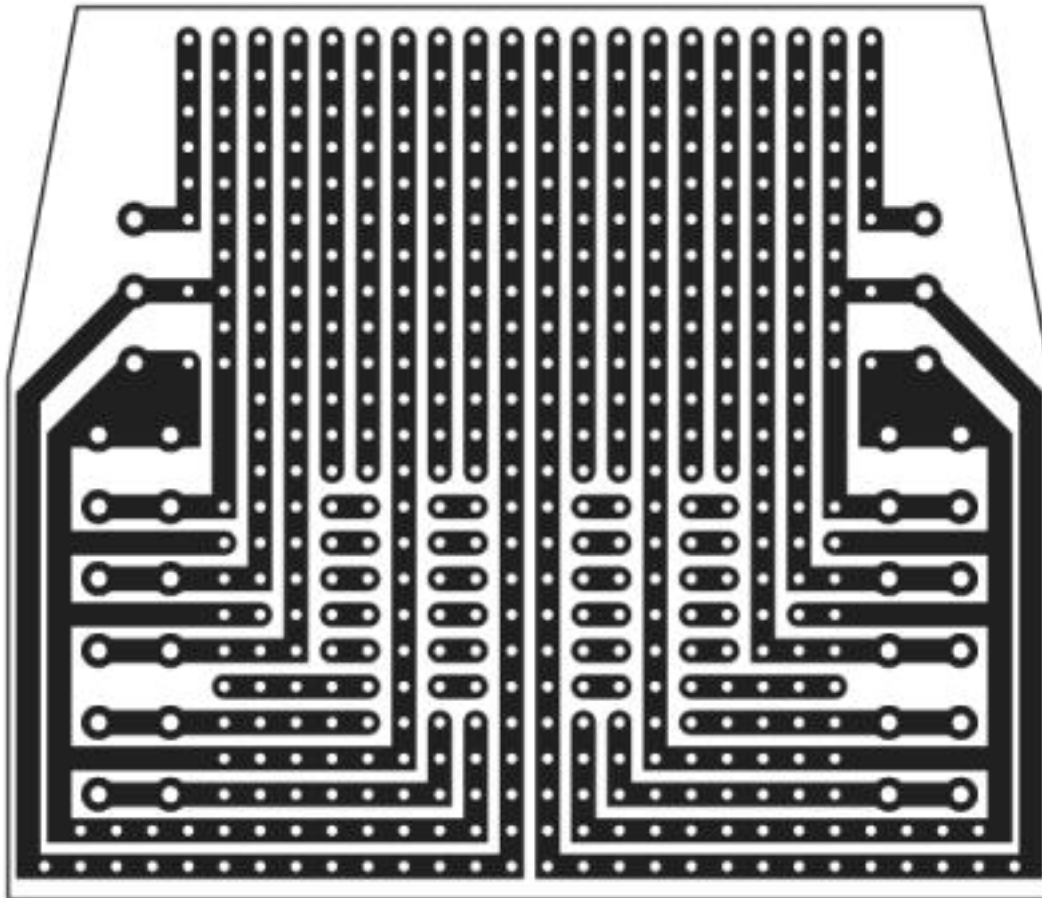
# Electronic housing - UEGM 40/2 BU - 2792604

Dimensioned drawing



# Electronic housing - UEGM 40/2 BU - 2792604

Schematic diagram



© Phoenix Contact 2013 - all rights reserved  
<http://www.phoenixcontact.com>