

Electronic housing - ME 45 UT/FE BUS/10+2 KMGY - 2695536

Please be informed that the data shown in this PDF Document is generated from our Online Catalog. Please find the complete data in the user's documentation. Our General Terms of Use for Downloads are valid (<http://download.phoenixcontact.com>)



Lower part of housing, integrated 10-pos. cross connection link for parallel through contacting, and 2-pos. connection link for serial contacting

The illustration shows the green product version

Product Features

- 2 optional serial contacts (daisy chain)
- Gold contacts for data transmission and power supply (125 V, 8 A)
- Can be snapped onto standard NS 35/7,5 and NS 35/15 DIN rails
- Supply via standard MINI COMBICON plug

Key commercial data

package_quantity	10
GTIN	4046356459617

Technical data

General

Housing type	Component housing
Housing material	Polyamide
Color	light gray

Ambient conditions

Ambient temperature (operation)	-40 °C ... 105 °C
--	-------------------

Dimensions

Length	99 mm
Constructional height	114.5 mm
Width	45 mm

Technical data

Inflammability class according to UL 94	V0
Power dissipation at 20°C in the horizontal mounting position	8.2 W 16.5 W
Number of positions	32
Number of positions	8

Electronic housing - ME 45 UT/FE BUS/10+2 KMGY - 2695536

classifications

eCl@ss

eCl@ss 4.0	27180401
eCl@ss 4.1	27180401
eCl@ss 5.0	27180506
eCl@ss 5.1	27180506
eCl@ss 6.0	27180802
eCl@ss 7.0	27182702
eCl@ss 8.0	27182702

ETIM

ETIM 2.0	EC001031
ETIM 3.0	EC001031
ETIM 4.0	EC001031
ETIM 5.0	EC001031

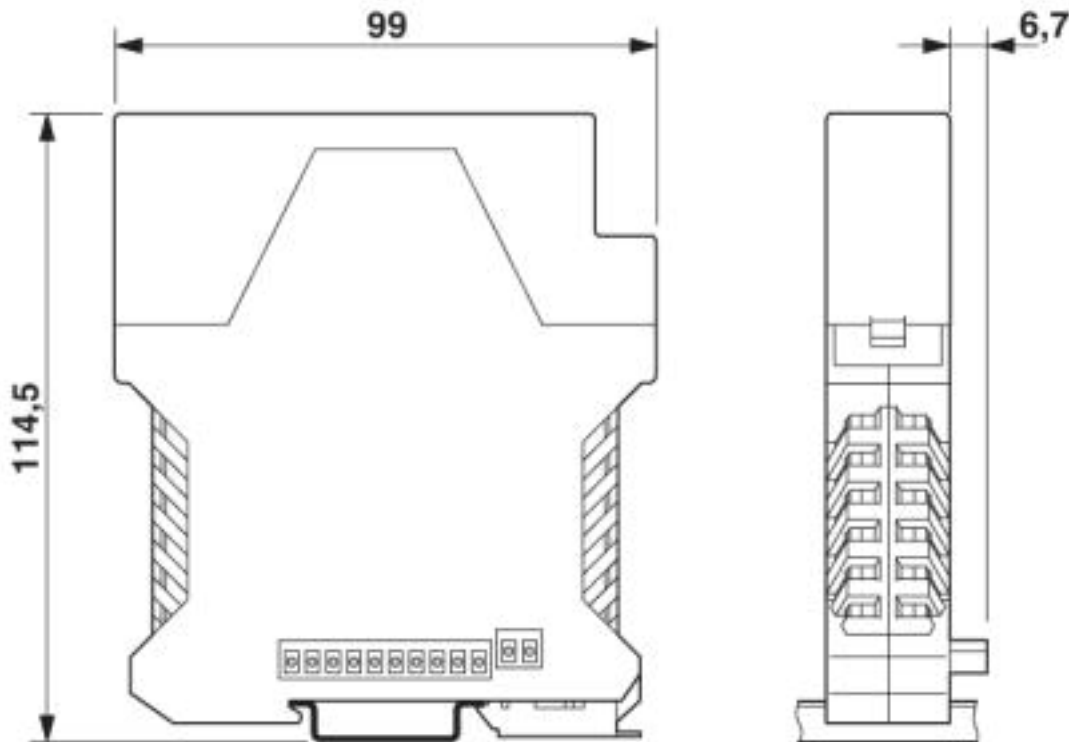
UNSPSC

UNSPSC 6.01	31261501
UNSPSC 7.0901	31261501
UNSPSC 11	31261501
UNSPSC 12.01	31261501
UNSPSC 13.2	31261501

Drawings

Electronic housing - ME 45 UT/FE BUS/10+2 KMGY - 2695536

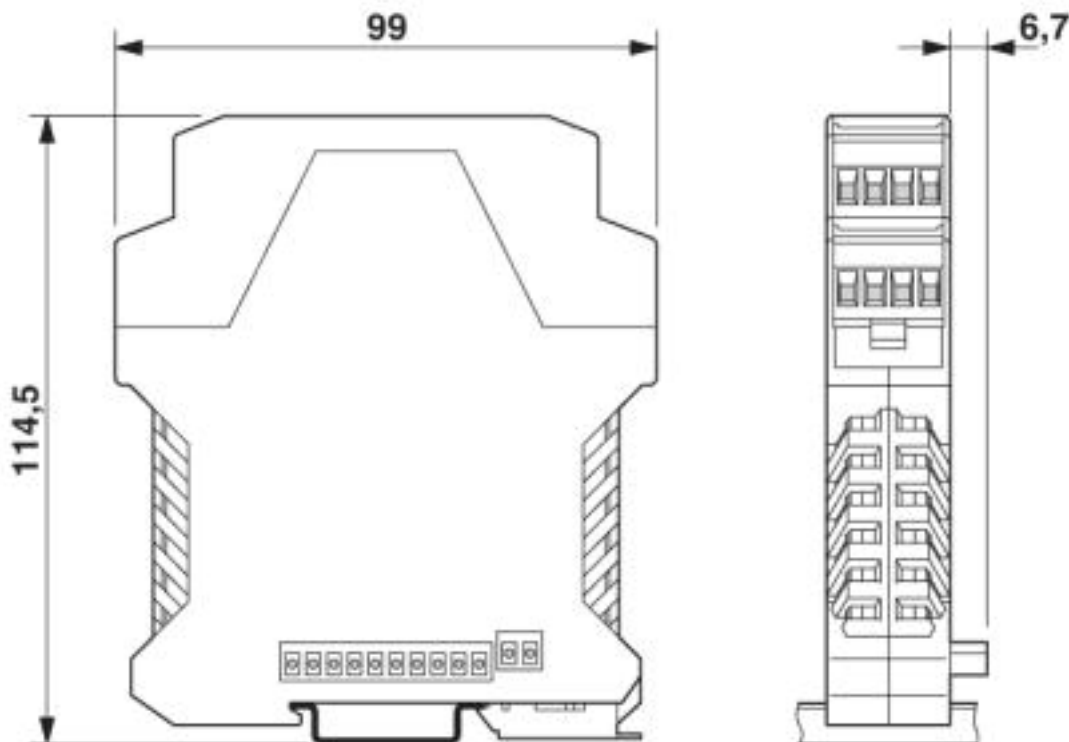
Dimensioned drawing



Dimensions of the electronics housing ME.../BUS 5+2 and ME.../BUS 10+2 with single-level upper part

Electronic housing - ME 45 UT/FE BUS/10+2 KMGY - 2695536

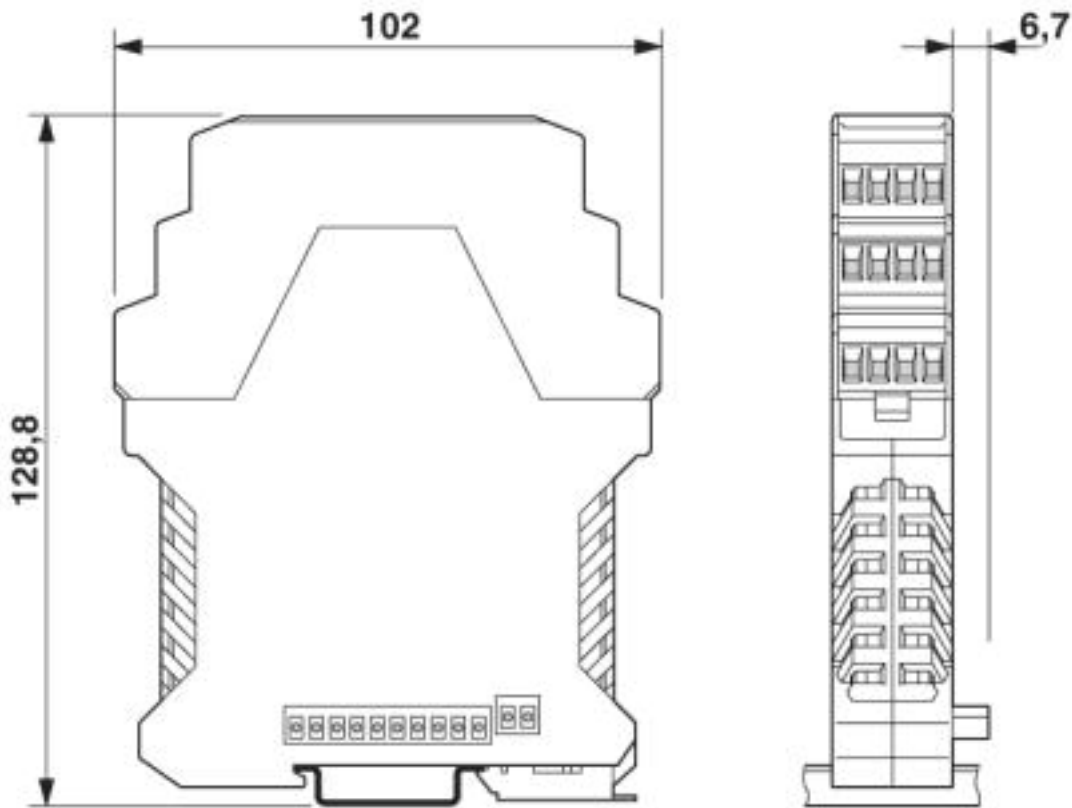
Dimensioned drawing



Dimensions of the electronics housing ME.../BUS 5+2 and ME.../BUS 10+2 with double-level upper part

Electronic housing - ME 45 UT/FE BUS/10+2 KMGY - 2695536

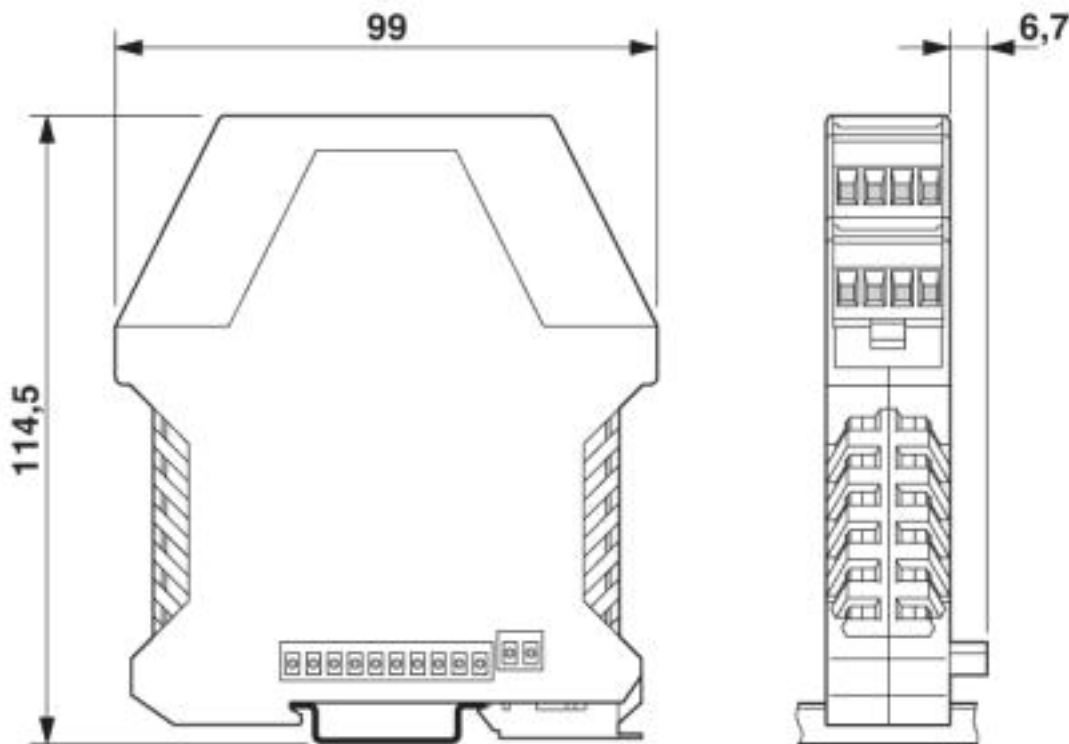
Dimensioned drawing



Dimensions of the electronics housing ME.../BUS 5+2 and ME.../BUS 10+2 with triple-level upper part

Electronic housing - ME 45 UT/FE BUS/10+2 KMGY - 2695536

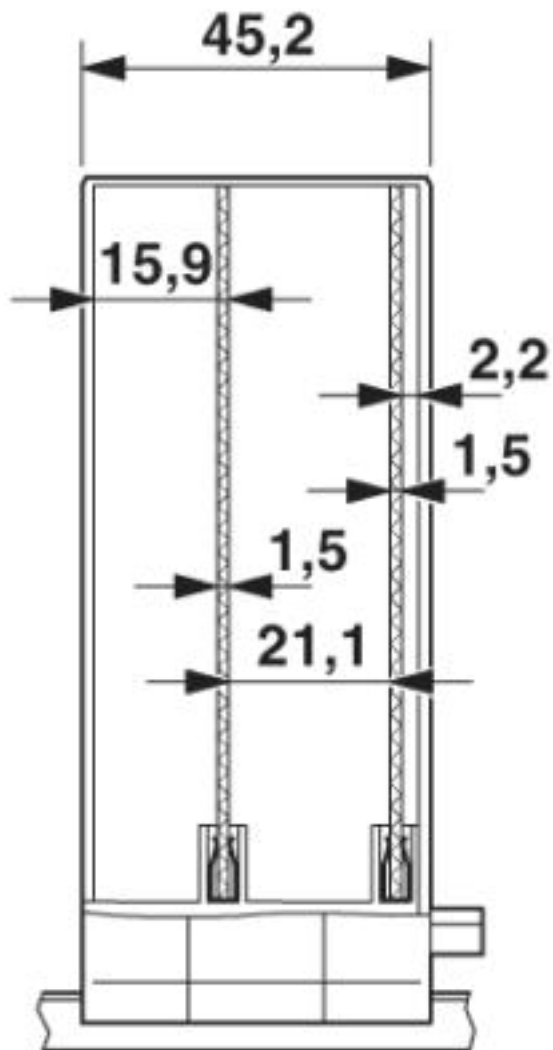
Dimensioned drawing



Dimensions of the electronics housing ME.../BUS 5+2 and ME.../BUS 10+2 with double-level upper part

Electronic housing - ME 45 UT/FE BUS/10+2 KMGY - 2695536

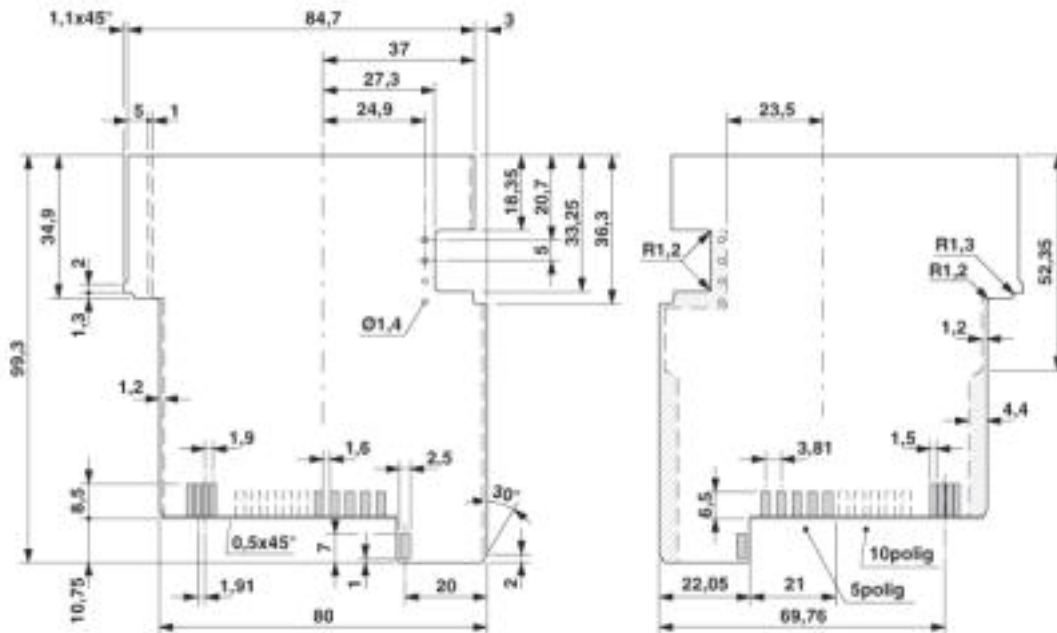
Dimensioned drawing



Inner housing dimensions, electronic housing ME 45.../BUS 5+2 and ME 45.../BUS 10+2

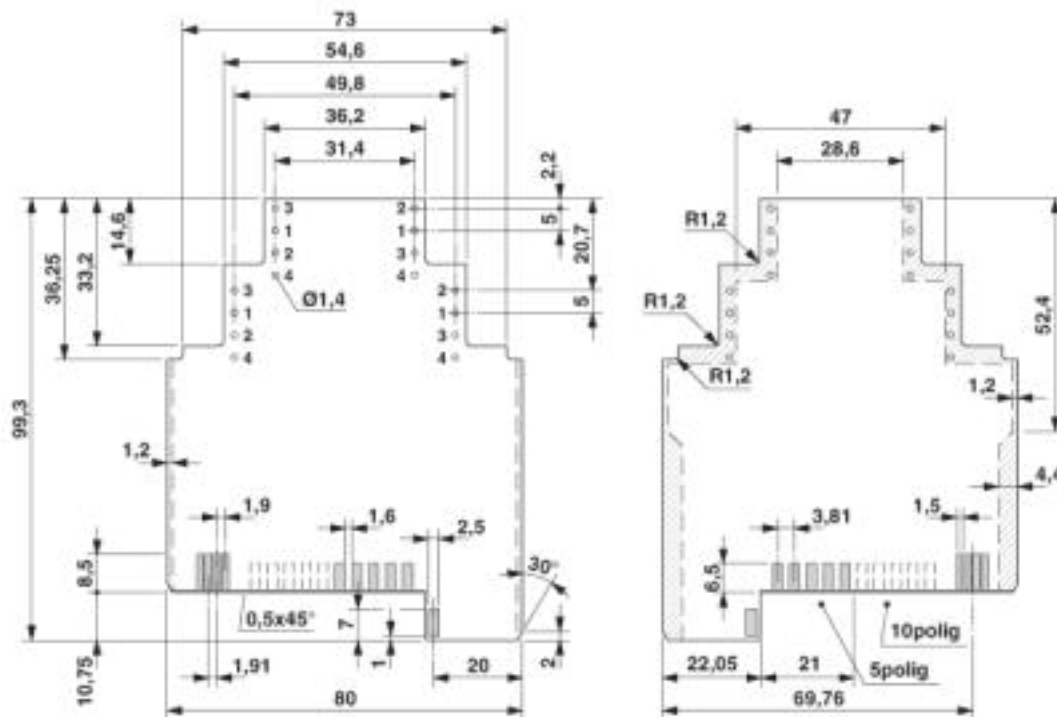
Electronic housing - ME 45 UT/FE BUS/10+2 KMGY - 2695536

Dimensioned drawing



Dimensional drawing of the ME.../BUS 5+2 and ME.../BUS 10+2 printed circuit boards if the single-level upper part is used

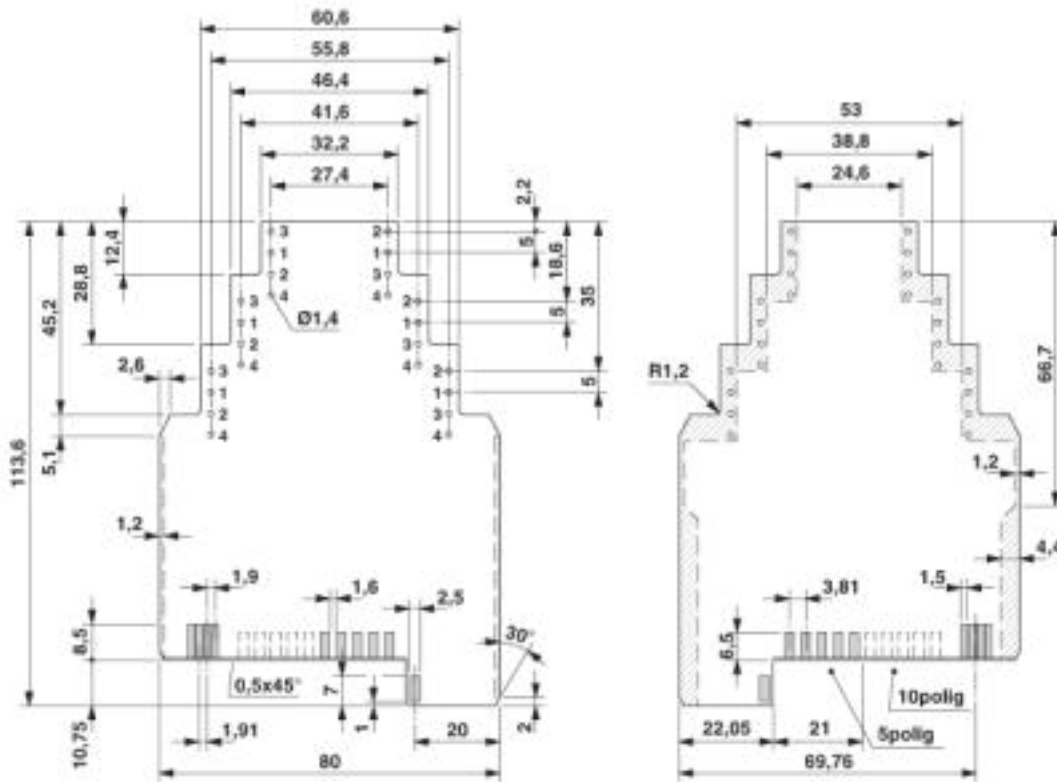
Dimensioned drawing



Dimensional drawing of the ME.../BUS 5+2 and ME.../BUS 10+2 printed circuit boards if the double-level upper part is used

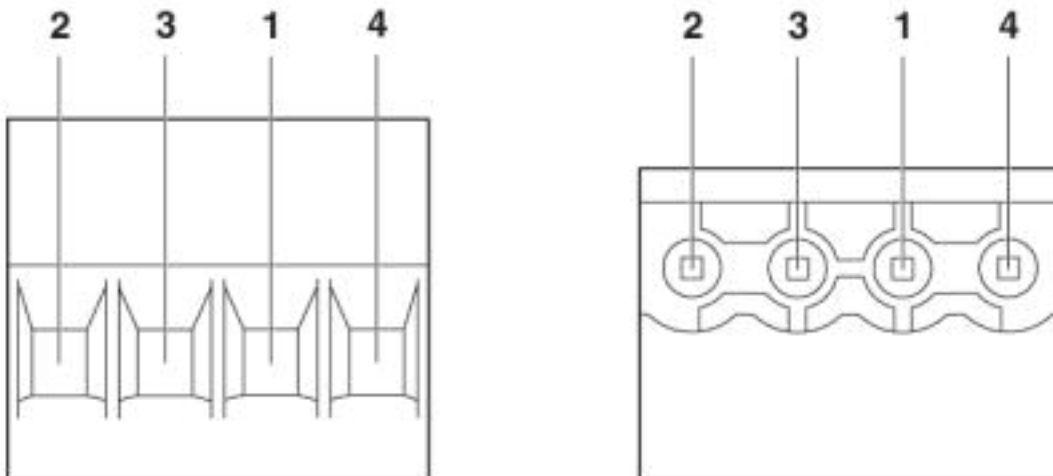
Electronic housing - ME 45 UT/FE BUS/10+2 KMGY - 2695536

Dimensioned drawing



Dimensional drawing of the ME.../BUS 5+2 and ME.../BUS 10+2 printed circuit boards if the triple-level upper part is used

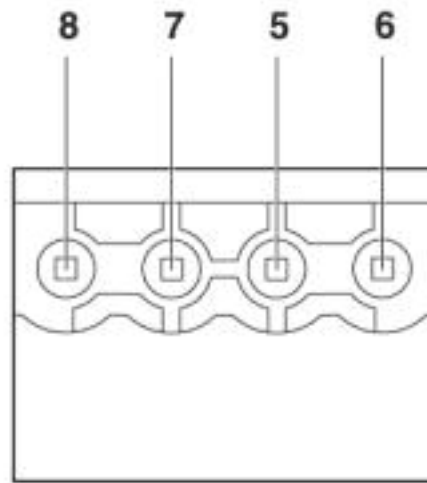
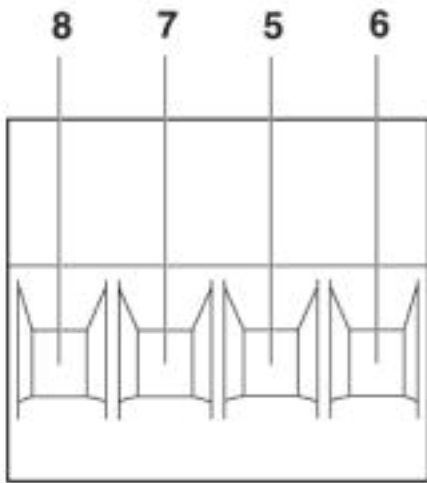
Schematic diagram



Pin assignment left

Electronic housing - ME 45 UT/FE BUS/10+2 KMGY - 2695536

Schematic diagram



Pin assignment right

© Phoenix Contact 2013 - all rights reserved
<http://www.phoenixcontact.com>