

Electronic housing - UM-SE-A73 - 2955603

Please be informed that the data shown in this PDF Document is generated from our Online Catalog. Please find the complete data in the user's documentation. Our General Terms of Use for Downloads are valid (<http://download.phoenixcontact.com>)



Side element, tall version, for closing both ends of the base element UM-BEFE, for 73 mm wide U-shaped profile cover

The illustration shows a combination of versions UM-SE-1, UM 16,5-1 BE, UM-BE 35-1, UM-BEFE 35-1, UM-SE-A 60-R and UM-A/U 73 CM

Key commercial data

package_quantity	10
GTIN	4017918085575

classifications

eCl@ss

eCl@ss 4.0	27180401
eCl@ss 4.1	27180401
eCl@ss 5.0	27180506
eCl@ss 5.1	27180506
eCl@ss 6.0	27180802
eCl@ss 7.0	27182701
eCl@ss 8.0	27182701

ETIM

ETIM 2.0	EC001031
ETIM 3.0	EC001031
ETIM 4.0	EC001031
ETIM 5.0	EC000721

UNSPSC

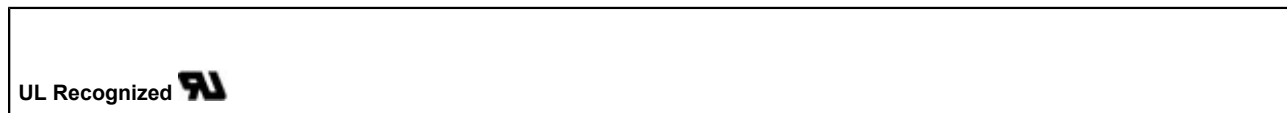
UNSPSC 6.01	31261501
UNSPSC 7.0901	31261501
UNSPSC 11	31261501
UNSPSC 12.01	31261501
UNSPSC 13.2	31261501

Electronic housing - UM-SE-A73 - 2955603

approvals

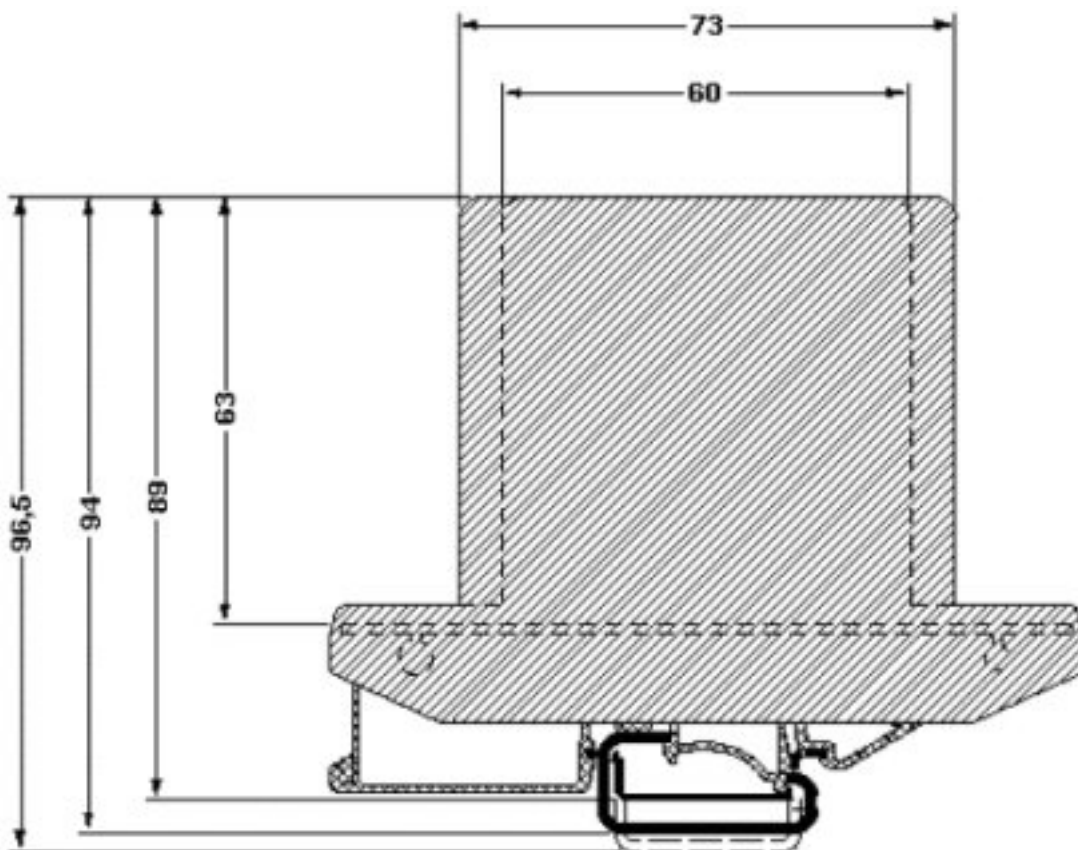
UL Recognized /

Approval details



Drawings

Dimensioned drawing



Electronic housing - UM-SE-A73 - 2955603

Dimensioned drawing

