

Electronic housing - ME MAX 22,5 F G 3-3 KMGY - 2869388

Please be informed that the data shown in this PDF Document is generated from our Online Catalog. Please find the complete data in the user's documentation. Our General Terms of Use for Downloads are valid (<http://download.phoenixcontact.com>)



Electronic housing consisting of: Housing shells left and right, front plate, transparent cover, metal foot catch and spring, enclosed housing, 24-pos. (6 x 4 pos.), design: Flat, width: 22,5 mm, color: Light gray

The illustration shows the housing versions

Product Features

- Labels for additional labeling as an option
- DIN rail bus connector as an option
- Plug-in connection with screw, spring-cage or fast connection technology
- Large front surface for high-pos. plugs or operating and setting elements
- Large PCB surface despite compact housing dimensions
- The fitted cover is easy to adapt and print
- Easy module replacement without interrupting the contact chain
- Fixed or plug-in connection technology can be combined on up to three connection levels, with different pitches
- Functional earth ground contact as an option
- Transparent front cover can be swiveled

Key commercial data

package_quantity	10
GTIN	4017918975111

Technical data

General

Housing type	Complete housing
Housing material	Polyamide
Color	light gray

Ambient conditions

Ambient temperature (operation)	-40 °C ... 105 °C
--	-------------------

Dimensions

Length	85 mm
Constructional height	92 mm
Width	22.5 mm

Technical data

Inflammability class according to UL 94	V0
--	----

Electronic housing - ME MAX 22,5 F G 3-3 KMGY - 2869388

Technical data

Technical data

Power dissipation at 20°C in the horizontal mounting position	5.5 W 9.6 W
Number of positions	24

classifications

eCl@ss

eCl@ss 4.0	27180401
eCl@ss 4.1	27180401
eCl@ss 5.0	27180506
eCl@ss 5.1	27180506
eCl@ss 6.0	27180802
eCl@ss 7.0	27182702
eCl@ss 8.0	27182702

ETIM

ETIM 2.0	EC001031
ETIM 3.0	EC001031
ETIM 4.0	EC001031
ETIM 5.0	EC001031

UNSPSC

UNSPSC 6.01	31261501
UNSPSC 7.0901	31261501
UNSPSC 11	31261501
UNSPSC 12.01	31261501
UNSPSC 13.2	31261501

approvals


UL Recognized / cUL Recognized / cULus Recognized /

Approval details



Electronic housing - ME MAX 22,5 F G 3-3 KMGY - 2869388

approvals

cULus Recognized  US

accessories

Ground contact

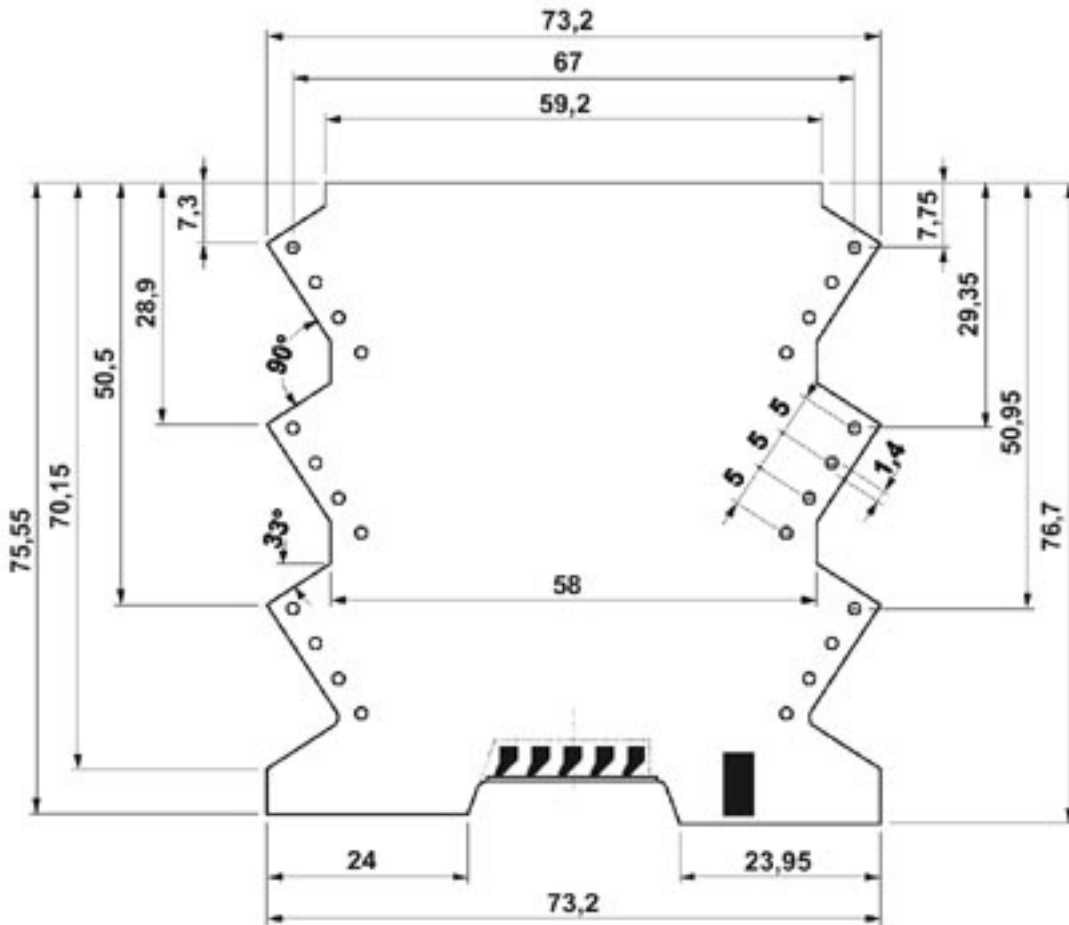
ME FE-CONTACT - 2908294



Drawings

Electronic housing - ME MAX 22,5 F G 3-3 KMGY - 2869388

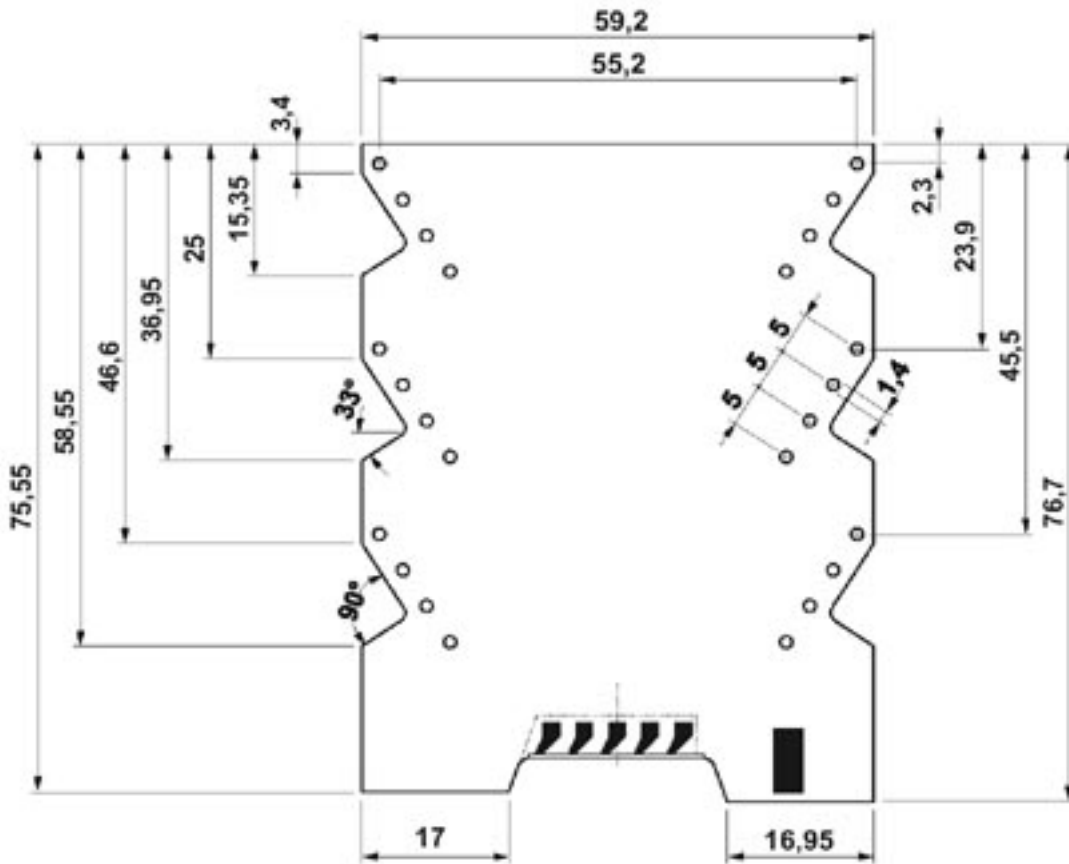
Dimensioned drawing



Dimensional drawing of the ME MAX ...F 3-3 PCB for PCB terminal block connection (MKDSO), view: Component side

Electronic housing - ME MAX 22,5 F G 3-3 KMGY - 2869388

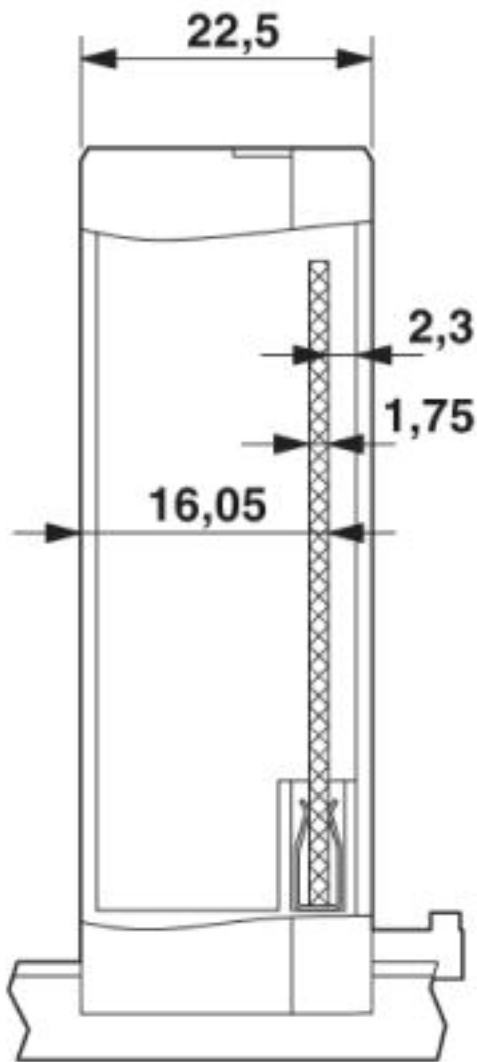
Dimensioned drawing



Dimensional drawing of the ME MAX ...SF 3-3 PCB for plug connection system (MSTBO), view: Component side

Electronic housing - ME MAX 22,5 F G 3-3 KMGY - 2869388

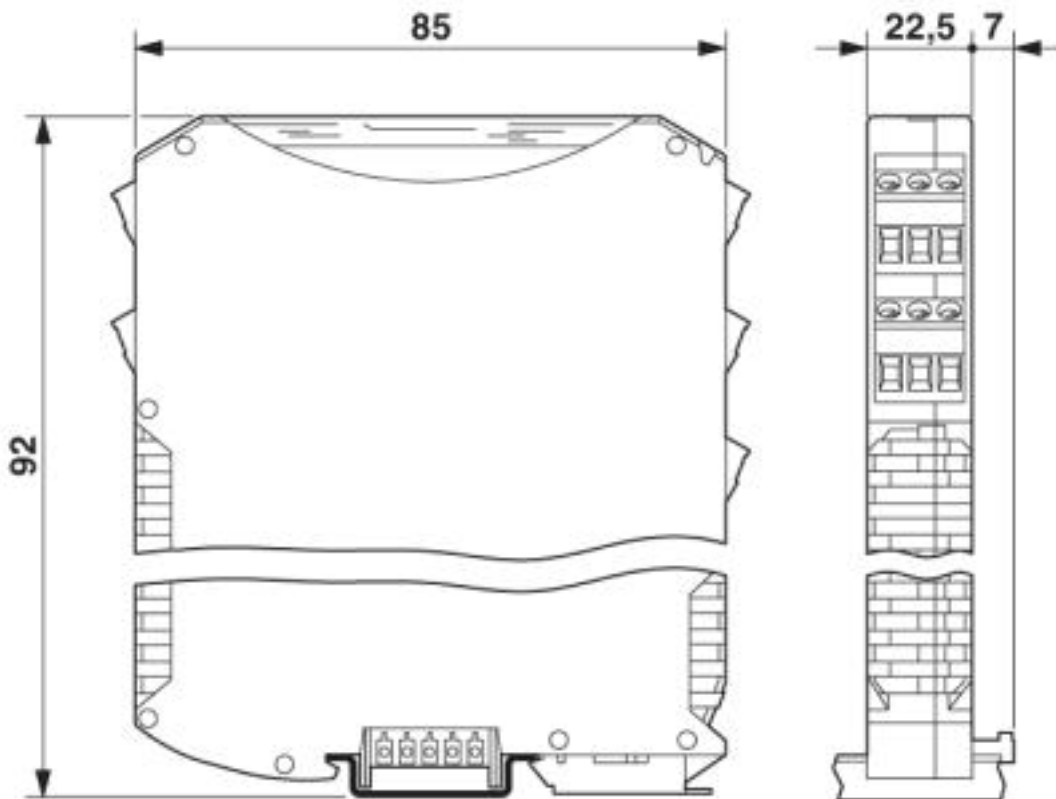
Dimensioned drawing



Housing inner dimensions ME MAX... Flat/extra-flat

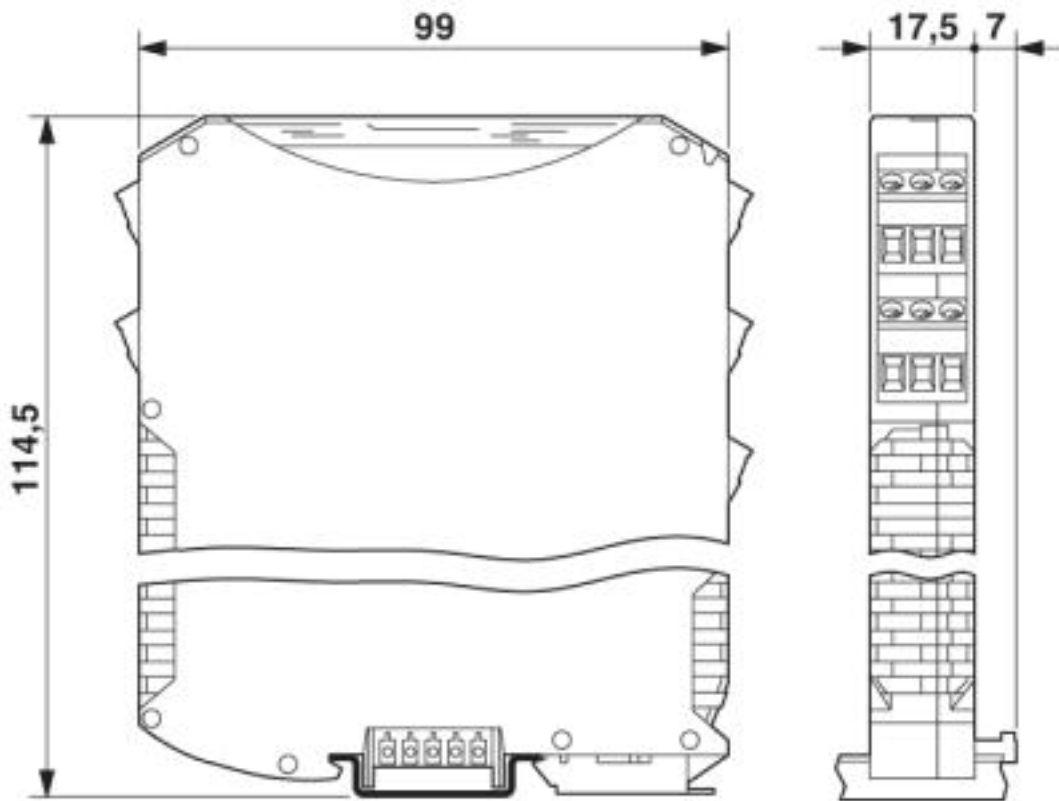
Electronic housing - ME MAX 22,5 F G 3-3 KMGY - 2869388

Dimensioned drawing



Electronic housing - ME MAX 22,5 F G 3-3 KMGY - 2869388

Dimensioned drawing



© Phoenix Contact 2013 - all rights reserved
<http://www.phoenixcontact.com>