

# Electronic housing - ME 35 UT/FE KMGY - 2854571

Please be informed that the data shown in this PDF Document is generated from our Online Catalog. Please find the complete data in the user's documentation. Our General Terms of Use for Downloads are valid (<http://download.phoenixcontact.com>)



Lower part of housing, fully assembled, with integrated functional earth ground contact, and metal foot catch.

Illustration shows fully mounted versions of the electronic housing, in green

## Key commercial data

<b>package_quantity</b>	10
<b>GTIN</b>	4017918479343

## Technical data

### General

<b>Housing type</b>	Component housing
<b>Housing material</b>	Polyamide
<b>Color</b>	light gray

### Ambient conditions

<b>Ambient temperature (operation)</b>	-40 °C ... 105 °C
--	-------------------

### Dimensions

<b>Length</b>	99 mm
<b>Constructional height</b>	114.5 mm
<b>Width</b>	35 mm

### Technical data

<b>Connection in acc. with standard</b>	CUL
<b>Nominal voltage <math>U_N</math></b>	300 V
<b>Nominal current <math>I_N</math></b>	10 A
<b>AWG/kcmil</b>	30-12
<b>Indicator1</b>	CUL1
<b>Inflammability class according to UL 94</b>	V0
<b>Number of positions</b>	24

## classifications

eCl@ss

# Electronic housing - ME 35 UT/FE KMGY - 2854571

## classifications

### eCl@ss

eCl@ss 4.0	27180401
eCl@ss 4.1	27180401
eCl@ss 5.0	27180506
eCl@ss 5.1	27180506
eCl@ss 6.0	27180802
eCl@ss 7.0	27182702
eCl@ss 8.0	27182702

### ETIM

ETIM 2.0	EC001031
ETIM 3.0	EC001031
ETIM 4.0	EC001031
ETIM 5.0	EC001031

### UNSPSC

UNSPSC 6.01	31261501
UNSPSC 7.0901	31261501
UNSPSC 11	31261501
UNSPSC 12.01	31261501
UNSPSC 13.2	31261501

## approvals

UL Recognized / cUL Recognized / cULus Recognized /

### Approval details

<b>UL Recognized</b>	
Nominal voltage UN	300 V
Nominal current IN	10 A
mm <sup>2</sup> /AWG/kcmil	30-12

<b>cUL Recognized</b>	
Nominal voltage UN	300 V
Nominal current IN	10 A
mm <sup>2</sup> /AWG/kcmil	30-12

## Electronic housing - ME 35 UT/FE KMGY - 2854571

approvals

cULus Recognized  US

accessories

**Coding element**

CR-MSTB - 1734401



CP-MSTB - 1734634



**Filler plug**

ME B-17,5 MSTBO KMGY - 2853776



ME B-17,5 MKDSO KMGY - 2854115



**Mounting material**

## Electronic housing - ME 35 UT/FE KMGY - 2854571

### accessories

ME-SAS - 2853899



---

ME LPZS - 2906911



---

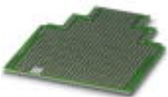
ME MF 17,5 - 2908281



---

### PCB

ME LP - 2906908



---

### Component housing center part

ME 35 UTM - 2908265



## Electronic housing - ME 35 UT/FE KMGY - 2854571

### accessories

ME 35 UTMG - 2908275



---

### Ground contact

ME FE-CONTACT - 2908294

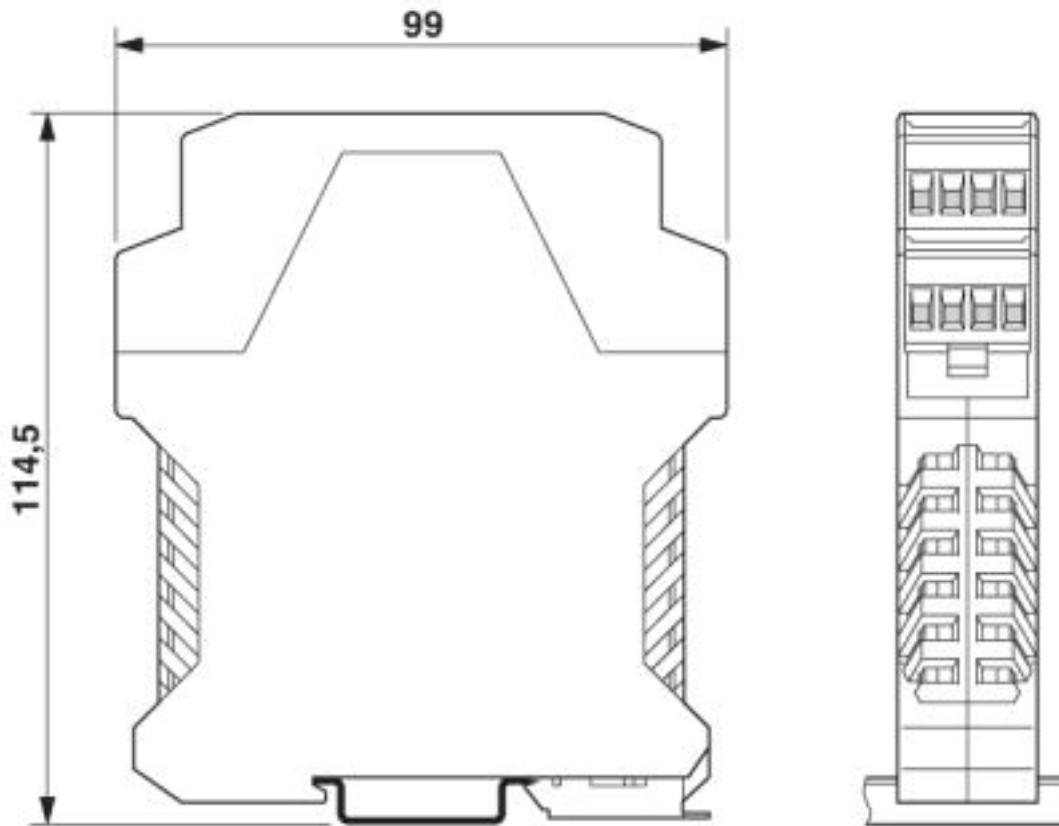


---

### Drawings

# Electronic housing - ME 35 UT/FE KMGY - 2854571

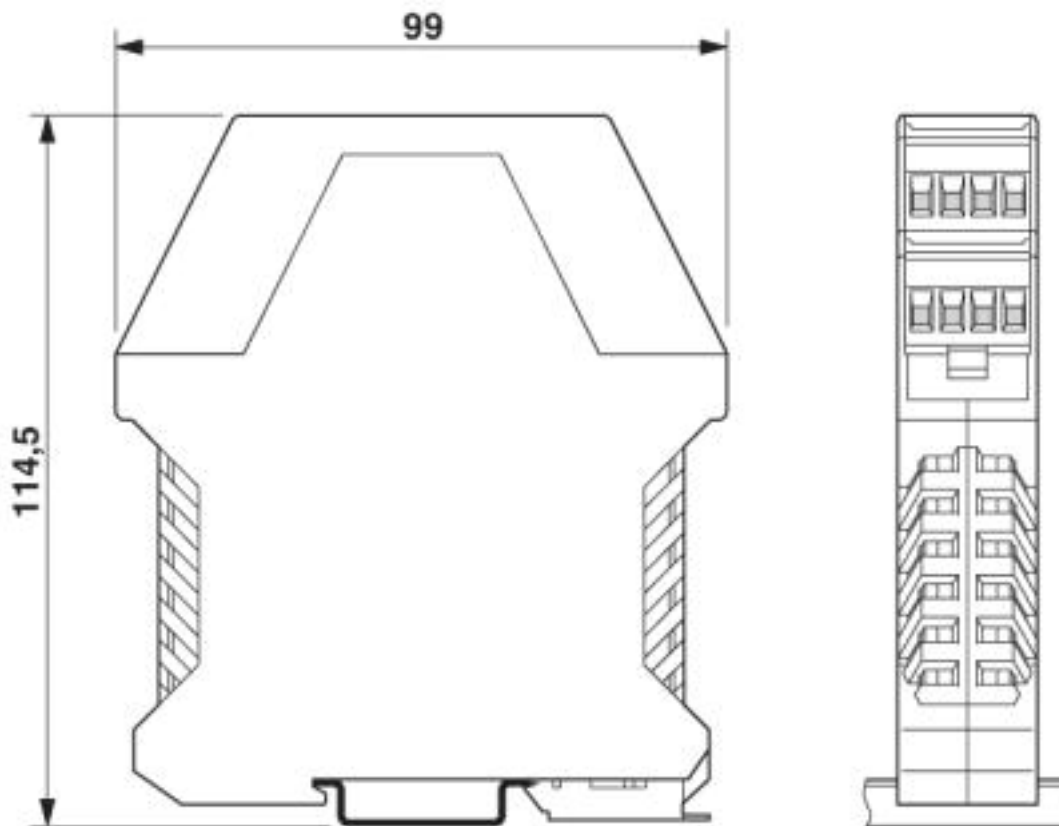
Dimensioned drawing



Dimensions of the electronic housing ME... with double-level upper part

# Electronic housing - ME 35 UT/FE KMGY - 2854571

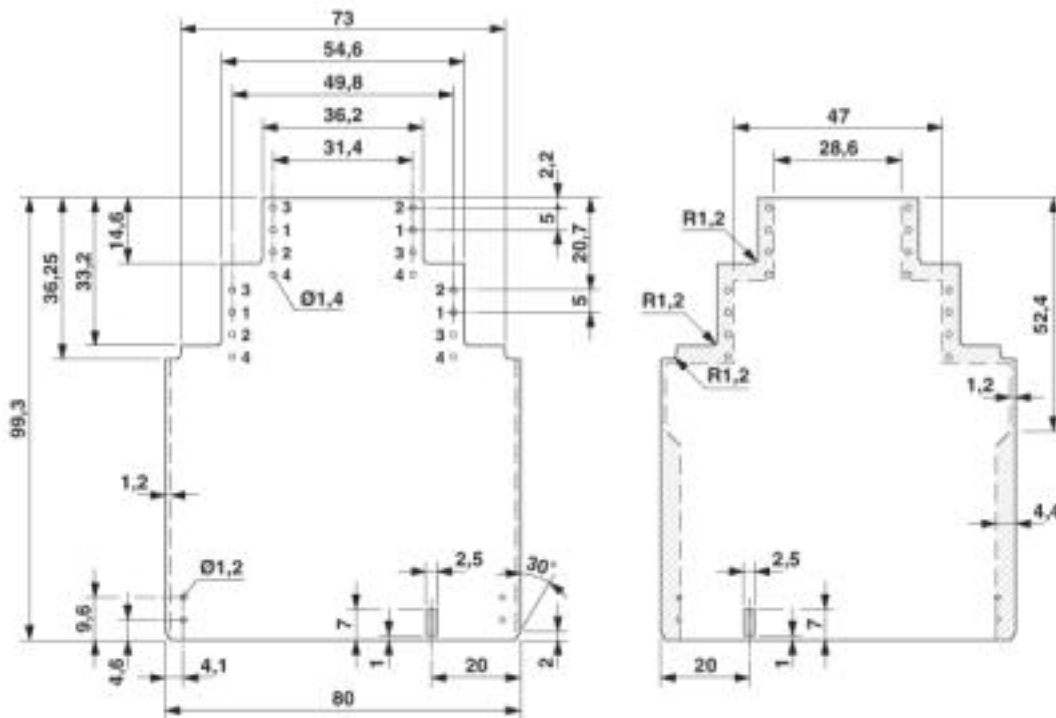
Dimensioned drawing



Dimensions of the electronic housing ME... with double-level upper part

# Electronic housing - ME 35 UT/FE KMGY - 2854571

Dimensioned drawing

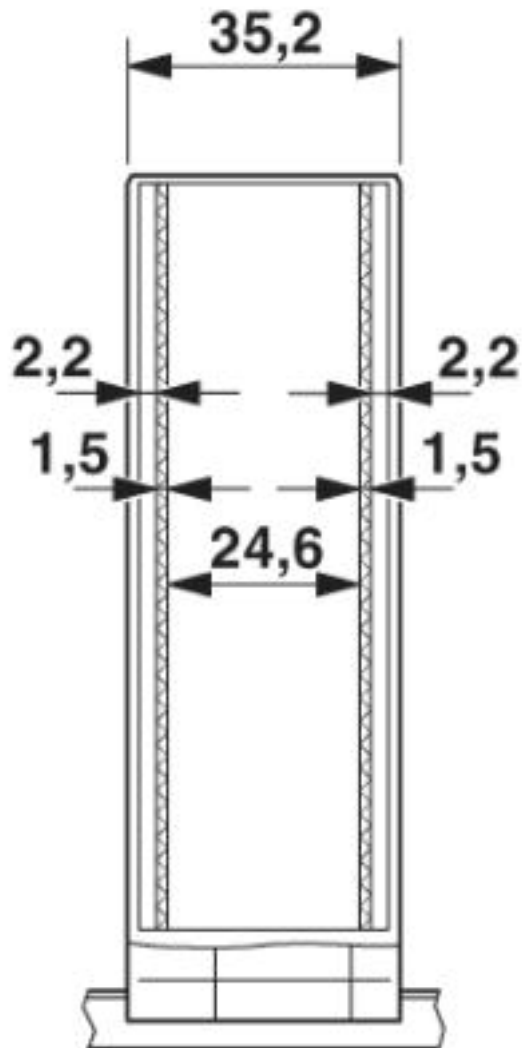


Dimensional drawing of the ME... printed circuit board if the double level upper part is used



# Electronic housing - ME 35 UT/FE KMGY - 2854571

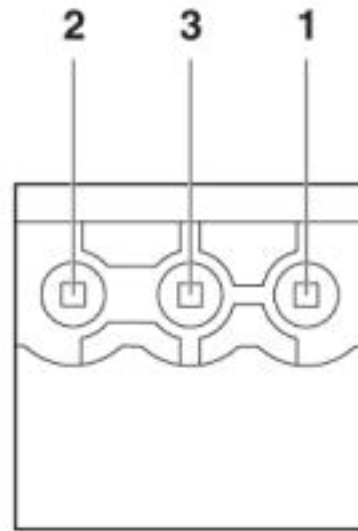
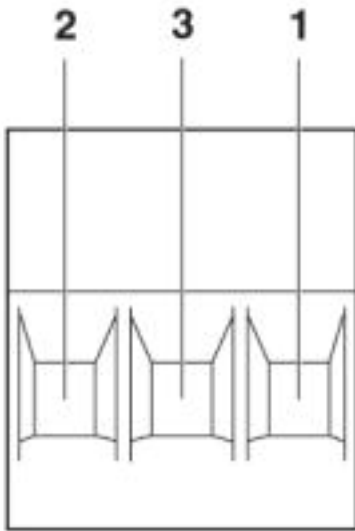
Dimensioned drawing



Inner housing dimensions, electronic housing ME 35 ...

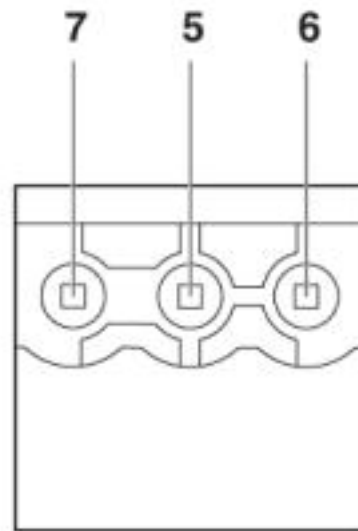
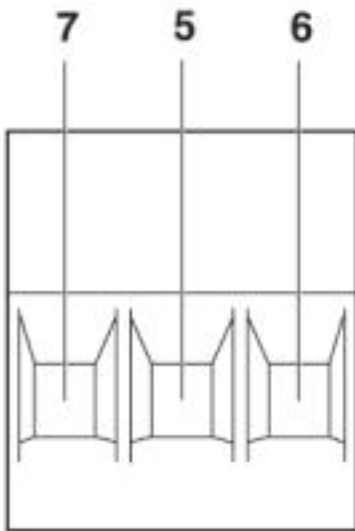
# Electronic housing - ME 35 UT/FE KMGY - 2854571

Schematic diagram



Pin assignment left

Schematic diagram



Pin assignment right