

Electronic housing - EMG 17-LG/O - 2942409

Please be informed that the data shown in this PDF Document is generated from our Online Catalog. Please find the complete data in the user's documentation. Our General Terms of Use for Downloads are valid (<http://download.phoenixcontact.com>)



Electronic housing, with universal foot, for p.c.b. insertion, without screw connection terminal blocks and cover, pitch 5, with open terminal space

Product Features

- Choice of four cover sizes in transparent or color versions
- Practical and easy-to-wire conductor connections
- User-friendly and safe mounting on DIN rails according to EN 60715
- Uniform and appropriate housing technology
- Space-saving accommodation of electronic components in finely graded module versions available with 10 to 150 mm pitch
- High degree of flexibility due to the wide choice of versions
- Inflammability class V0 insulation material (according to UL 94)
- Shock and contamination-proof accommodation of electronic components
- Universal PCBs for all pitches

Key commercial data

package_quantity	10
GTIN	4017918080723

Technical data

General

Housing type	Component housing
Housing material	Polycarbonate fiber reinforced
Color	green

Ambient conditions

Ambient temperature (operation)	-40 °C ... 125 °C
--	-------------------

Dimensions

Length	75 mm
Constructional height	47.5 mm
Width	17.5 mm

Technical data

Inflammability class according to UL 94	V0
Power dissipation at 20°C in the horizontal mounting position	1.3 W 1.4 W 7.5 mm
Power dissipation at 20°C in the horizontal mounting position	1.5 W 1.6 W 15 mm

Electronic housing - EMG 17-LG/O - 2942409

Technical data

Technical data

Power dissipation at 20°C in the horizontal mounting position	2.1 W 2.7 W 35 mm
Power dissipation at 20°C in the horizontal mounting position	2.7 W 4 W 52 mm

Connection data

Conductor cross section solid min.	0.2 mm ²
Conductor cross section solid max.	4 mm ²
Conductor cross section stranded min.	0.2 mm ²
Conductor cross section stranded max.	2.5 mm ²
Conductor cross section AWG/kcmil min.	24
Conductor cross section AWG/kcmil max	12

classifications

eCl@ss

eCl@ss 4.0	27180401
eCl@ss 4.1	27180401
eCl@ss 5.0	27180506
eCl@ss 5.1	27180506
eCl@ss 6.0	27180802
eCl@ss 7.0	27182702
eCl@ss 8.0	27182702

ETIM

ETIM 2.0	EC001031
ETIM 3.0	EC001031
ETIM 4.0	EC001031
ETIM 5.0	EC000886

UNSPSC

UNSPSC 6.01	31261501
UNSPSC 7.0901	31261501
UNSPSC 11	31261501
UNSPSC 12.01	31261501
UNSPSC 13.2	31261501

approvals

GOST /

Approval details

Electronic housing - EMG 17-LG/O - 2942409

approvals



accessories

Filler plug

EMG-KA - 2941510



PCB

P 1-EMG 17 - 2946120



accessories

EMG-GKS 12 - 2947035



EMG-SGKS 10 - 2947585



Electronic housing - EMG 17-LG/O - 2942409

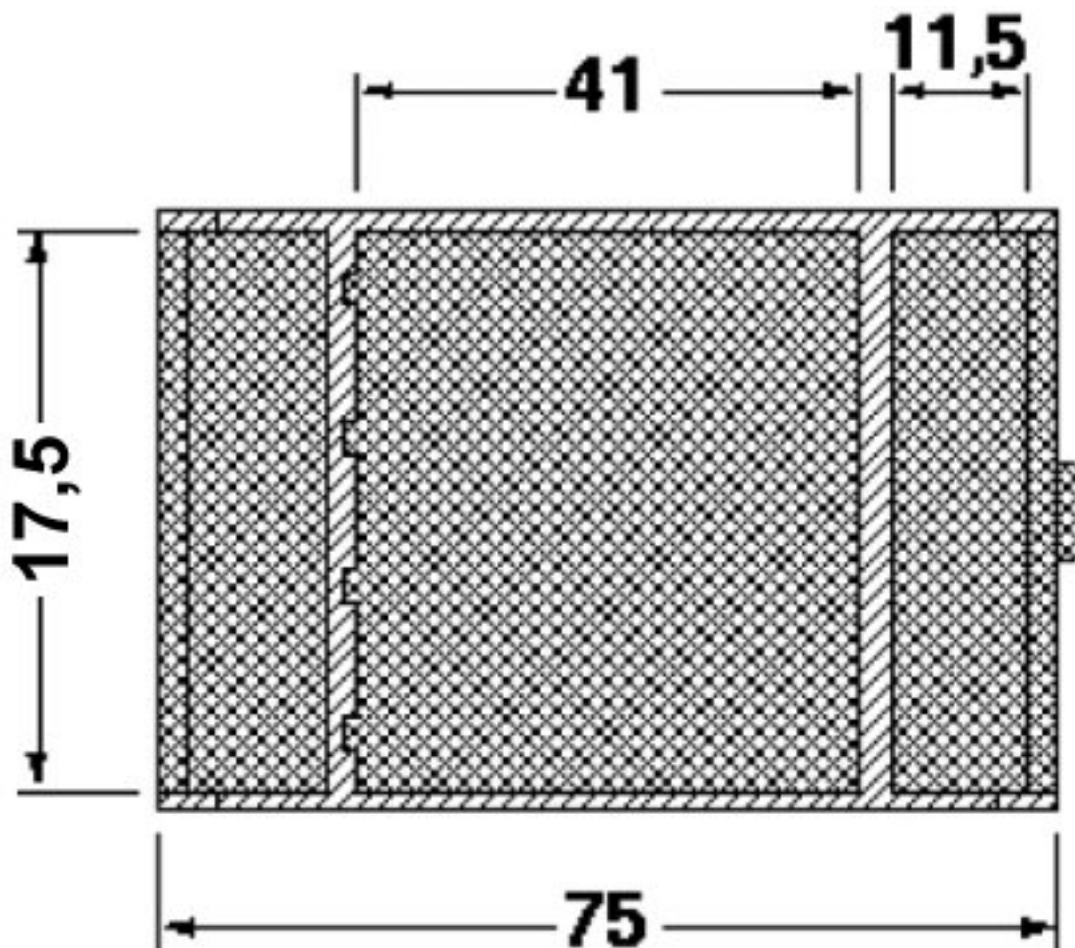
accessories

EMG-GKS 12 - 2947035



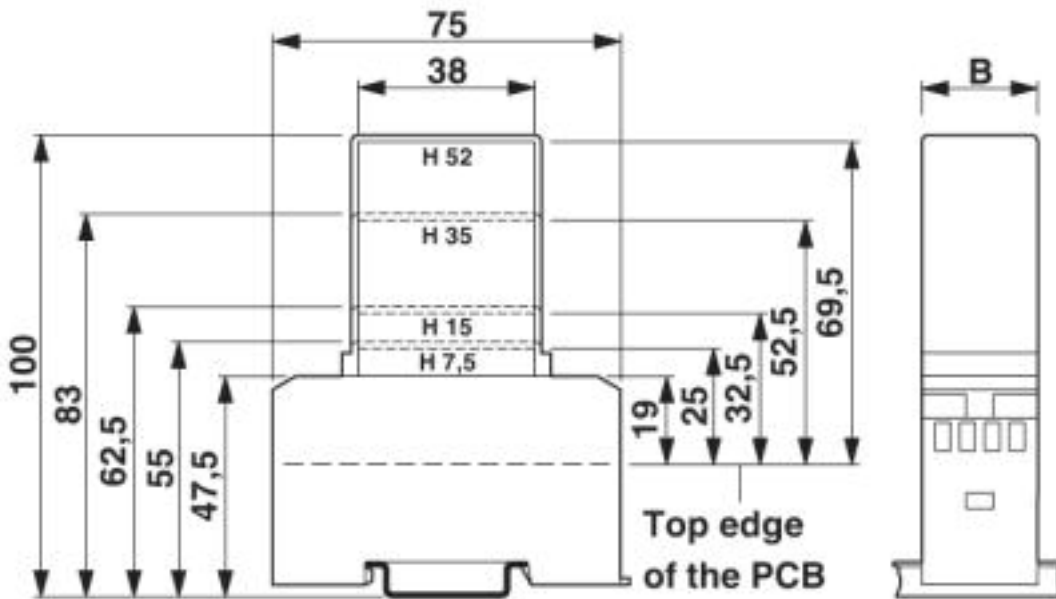
Drawings

Dimensioned drawing



Electronic housing - EMG 17-LG/O - 2942409

Dimensioned drawing



1 = Top edge of the PCB B = Housing width

Dimensioned drawing

