

# Electronic housing - ME 22,5 UT/FE LBGY - 2909840

Please be informed that the data shown in this PDF Document is generated from our Online Catalog. Please find the complete data in the user's documentation. Our General Terms of Use for Downloads are valid (<http://download.phoenixcontact.com>)



Lower part of housing, fully assembled, with integrated functional earth ground contact, and metal foot catch.

Illustration shows fully mounted versions of the electronic housing, in green

## Product Features

- Tool-free mounting
- Low design width with a high number of positions
- Large assembly area
- Same PCB geometry for all design widths
- Recessed labeling areas
- Fast mounting on DIN rails according to EN 60715
- Inflammability class V0 according to UL 94
- Material and part identification embossed on the housing (recyclability)
- Cost savings thanks to easy device production
- Electronic components can be partially removed
- Metal foot catch
- Functional earth ground contact (EMC) integrated in the housing base
- Optional BUS connection integrated in the housing, for either parallel or serial contacting

## Key commercial data

<b>package_quantity</b>	100
<b>GTIN</b>	4017918415532

## classifications

### eCl@ss

<b>eCl@ss 4.0</b>	27180401
<b>eCl@ss 4.1</b>	27180401
<b>eCl@ss 5.0</b>	27180506
<b>eCl@ss 5.1</b>	27180506
<b>eCl@ss 6.0</b>	27180802
<b>eCl@ss 7.0</b>	27182702
<b>eCl@ss 8.0</b>	27182702

### ETIM

<b>ETIM 2.0</b>	EC001031
-----------------	----------

# Electronic housing - ME 22,5 UT/FE LBGY - 2909840

## classifications

### ETIM

<b>ETIM 3.0</b>	EC001031
<b>ETIM 4.0</b>	EC001031


### UNSPSC


<b>UNSPSC 6.01</b>	31261501
<b>UNSPSC 7.0901</b>	31261501
<b>UNSPSC 11</b>	31261501
<b>UNSPSC 12.01</b>	31261501
<b>UNSPSC 13.2</b>	31261501


## approvals

UL Recognized / cUL Recognized / cULus Recognized /

### Approval details

<b>UL Recognized</b> 	
Nominal voltage UN	300 V
Nominal current IN	10 A
mm <sup>2</sup> /AWG/kcmil	30-12

<b>cUL Recognized</b> 	
Nominal voltage UN	300 V
Nominal current IN	10 A
mm <sup>2</sup> /AWG/kcmil	30-12

<b>cULus Recognized</b> 	
---	--

## accessories

### Coding element

## Electronic housing - ME 22,5 UT/FE LBGY - 2909840

accessories

CR-MSTB - 1734401



CP-MSTB - 1734634



### Component housing center part

ME 45 UTM GN - 2853404



ME 45 UTM G GN - 2853417



ME 45 UTM GN - 2853404



### Mounting material

## Electronic housing - ME 22,5 UT/FE LBGY - 2909840

accessories

ME-SAS - 2853899



ME LPZS - 2906911



ME MF 17,5 - 2908281



ME LPZS - 2906911



ME MF 17,5 - 2908281

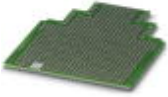


**PCB**

## Electronic housing - ME 22,5 UT/FE LBGY - 2909840

### accessories

ME LP - 2906908



---

### Filler plug

ME B-22,5 MKDSO GN - 2907143



---

### Ground contact

ME FE-CONTACT - 2908294



ME FE-CONTACT - 2908294



---

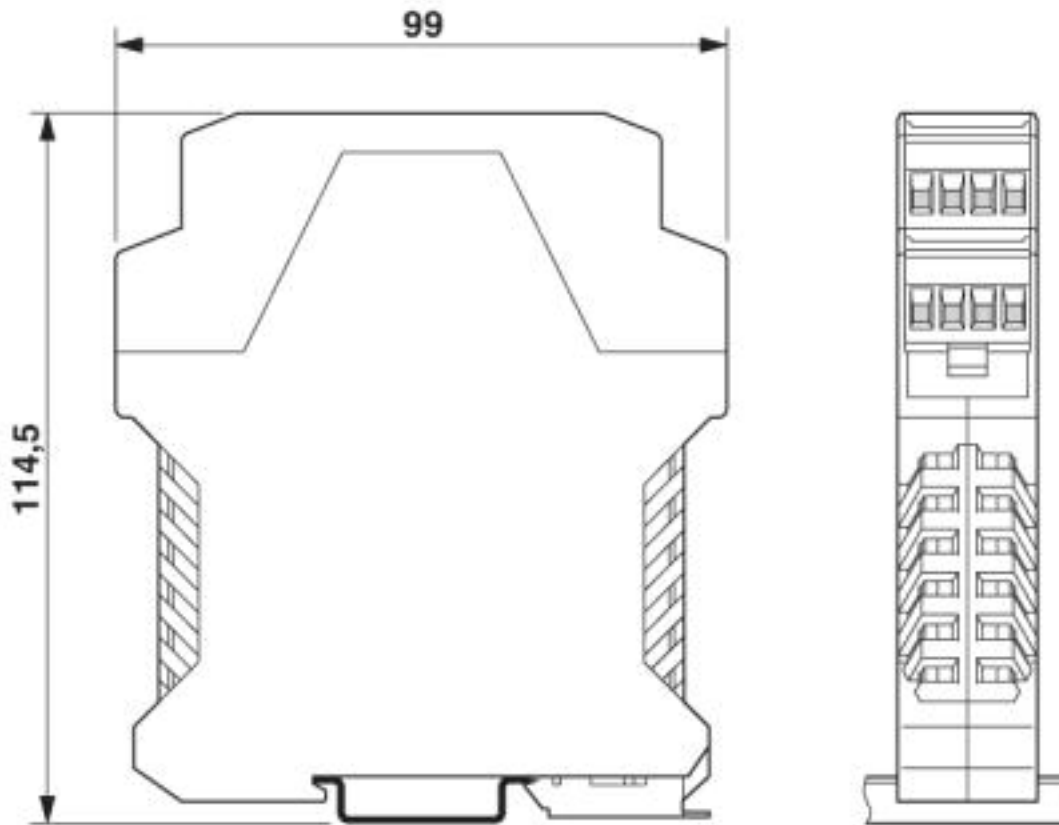
### accessories

ME B-22,5 MSTBO BEIGE - 2909950

# Electronic housing - ME 22,5 UT/FE LBGY - 2909840

## Drawings

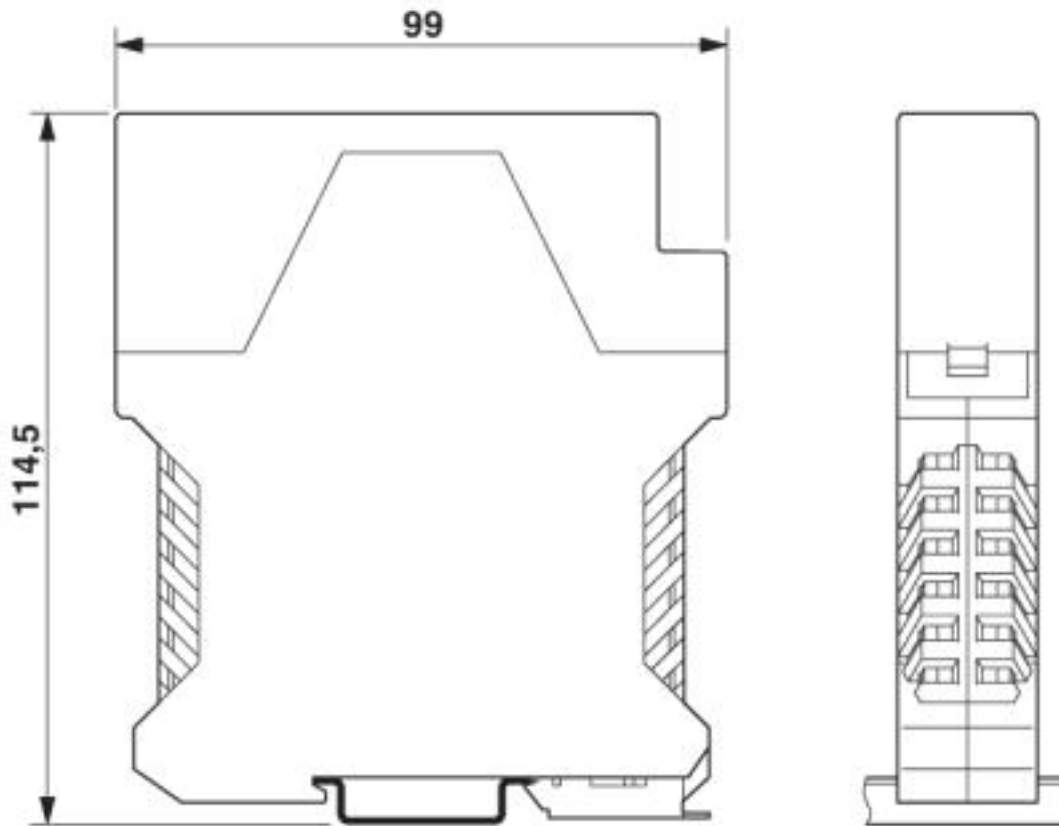
Dimensioned drawing



Dimensions of the electronic housing ME... with double-level upper part

# Electronic housing - ME 22,5 UT/FE LBGY - 2909840

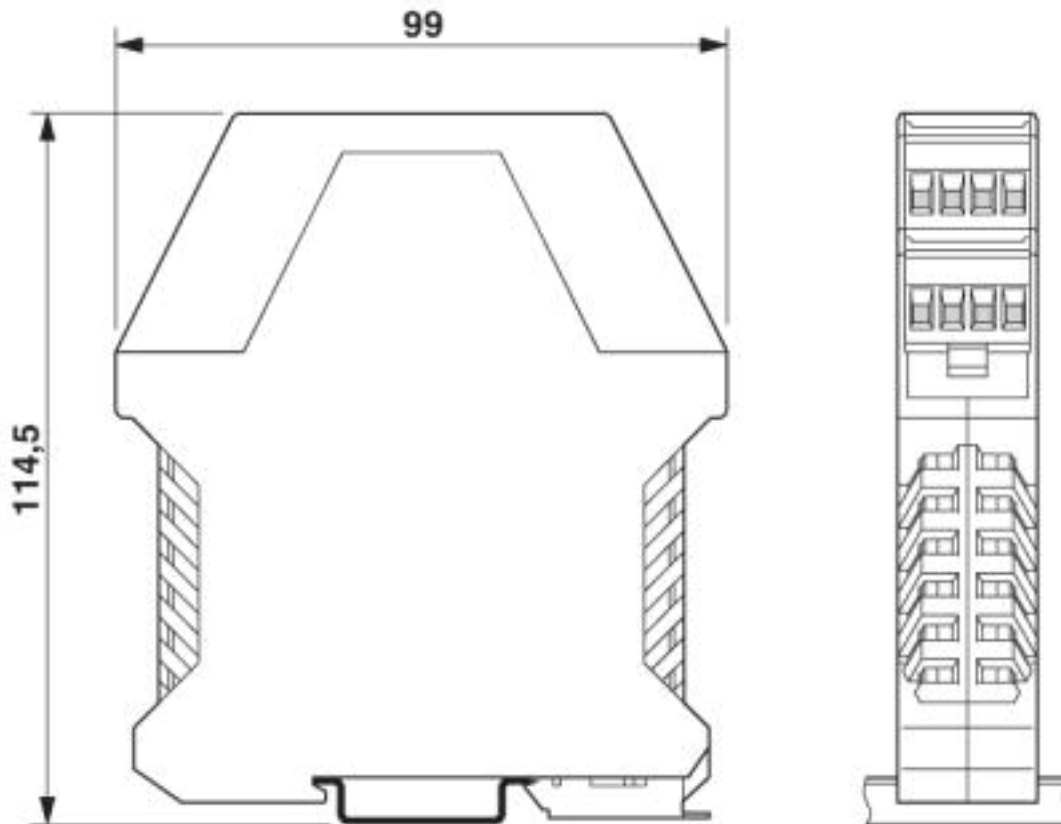
Dimensioned drawing



Dimensions of the electronic housing ME... with single-level upper part

# Electronic housing - ME 22,5 UT/FE LBGY - 2909840

Dimensioned drawing

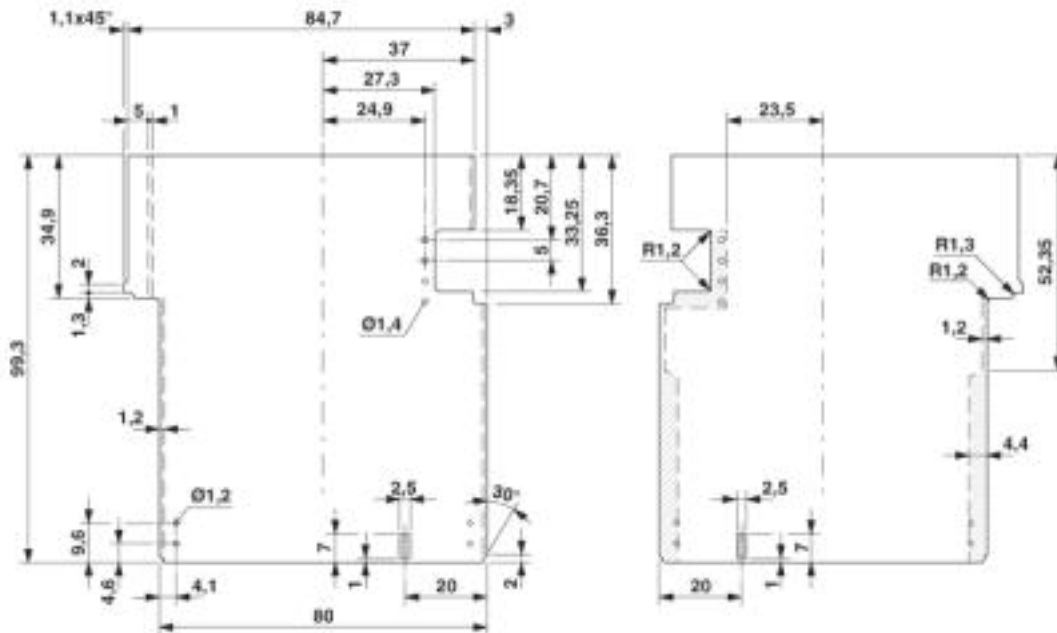


Dimensions of the electronic housing ME... with double-level upper part



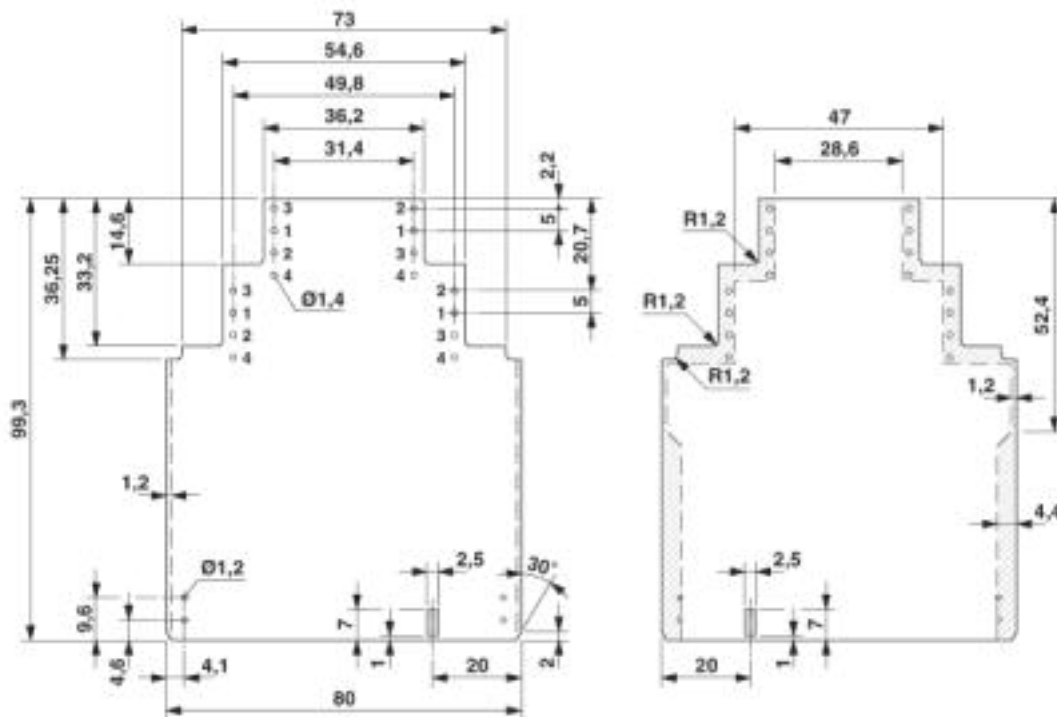
# Electronic housing - ME 22,5 UT/FE LBGY - 2909840

Dimensioned drawing



Dimensional drawing of the ME... printed circuit board if the single level upper part is used

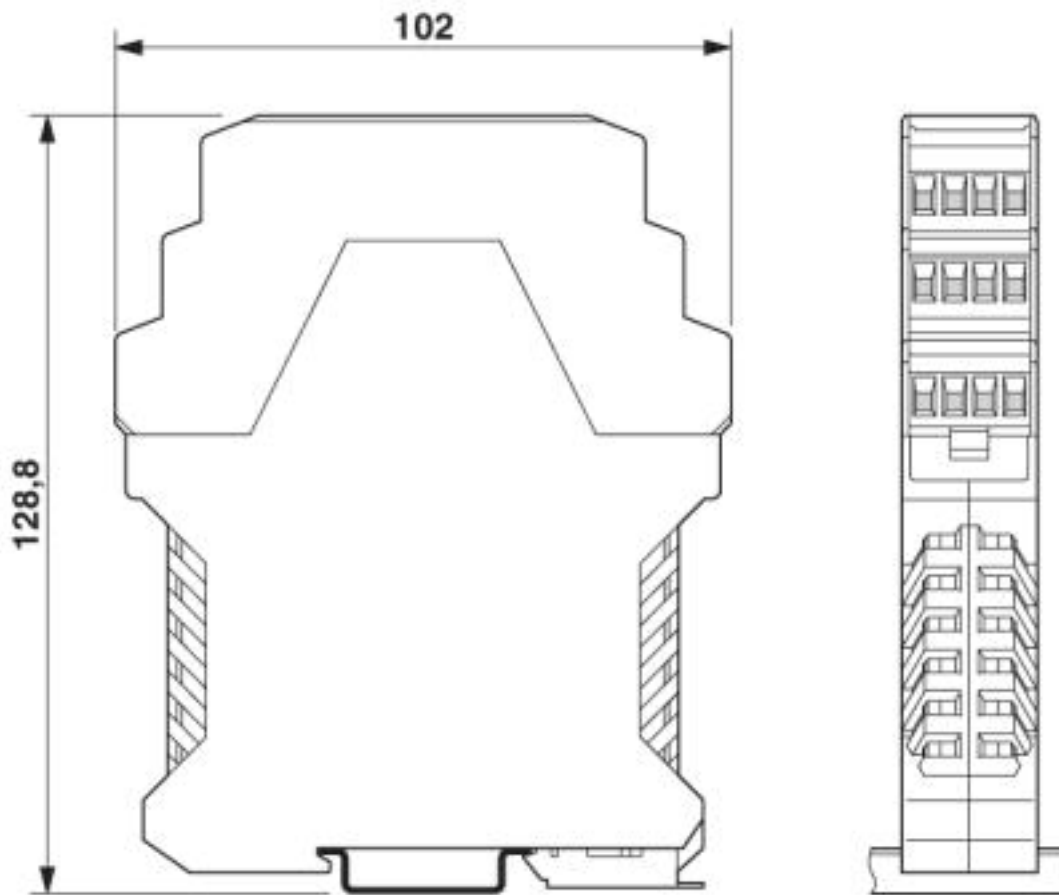
Dimensioned drawing



Dimensional drawing of the ME... printed circuit board if the double level upper part is used

# Electronic housing - ME 22,5 UT/FE LBGY - 2909840

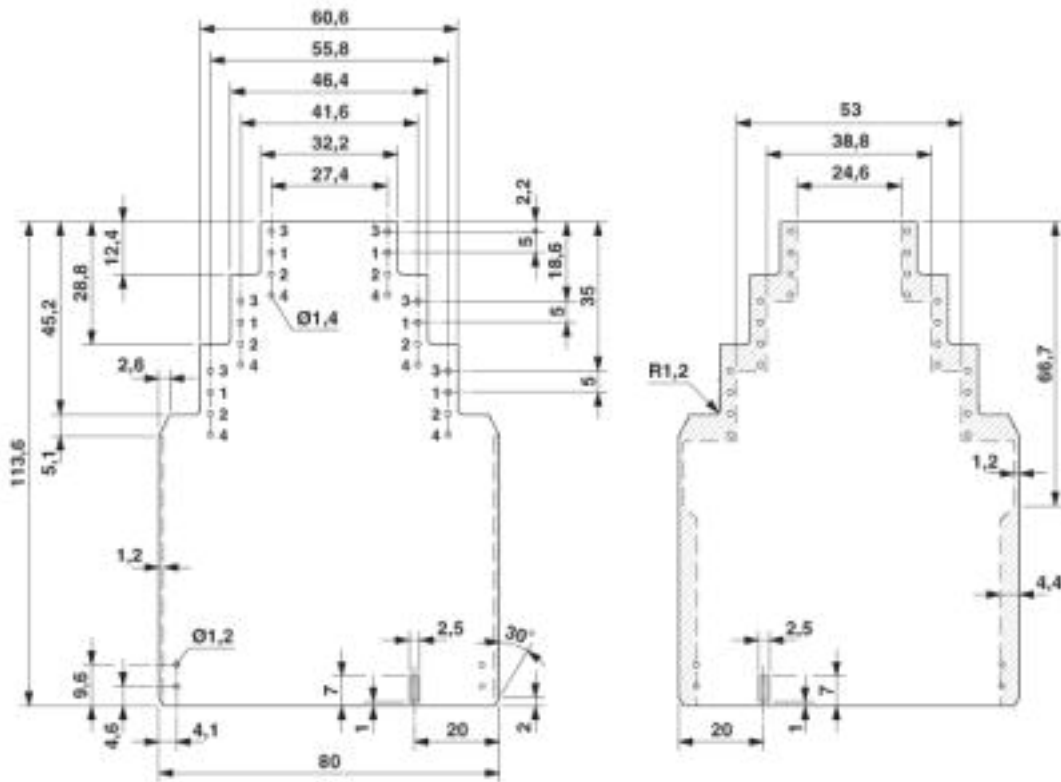
Dimensioned drawing



Dimensional drawing of the ME... printed circuit board if the triple-level upper part is used

# Electronic housing - ME 22,5 UT/FE LBGY - 2909840

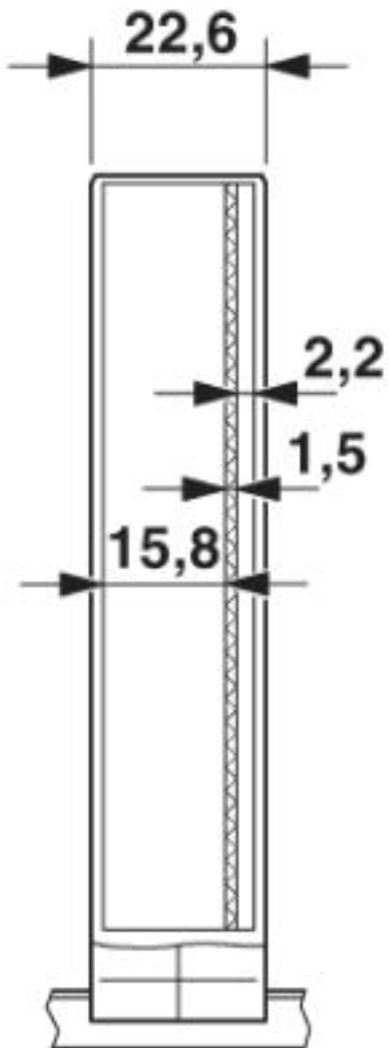
Dimensioned drawing



Dimensional drawing of the ME... printed circuit board if the triple-level upper part is used

## Electronic housing - ME 22,5 UT/FE LBGY - 2909840

Dimensioned drawing



Inner housing dimensions, electronic housing ME 22.5 ...

© Phoenix Contact 2013 - all rights reserved  
<http://www.phoenixcontact.com>