

Electronic housing - ME 22,5 UTG GYWH - 2707149

Please be informed that the data shown in this PDF Document is generated from our Online Catalog. Please find the complete data in the user's documentation. Our General Terms of Use for Downloads are valid (<http://download.phoenixcontact.com>)



Lower part of housing closed, fully assembled, with metal foot catch.

Illustration shows fully mounted versions of the electronic housing, in green

Key commercial data

package_quantity	10
GTIN	4017918895686

classifications

eCl@ss

eCl@ss 4.0	27180401
eCl@ss 4.1	27180401
eCl@ss 5.0	27180506
eCl@ss 5.1	27180506
eCl@ss 6.0	27180802
eCl@ss 7.0	27182702
eCl@ss 8.0	27182702

ETIM

ETIM 2.0	EC001031
ETIM 3.0	EC001031
ETIM 4.0	EC001031

UNSPSC

UNSPSC 6.01	31261501
UNSPSC 7.0901	31261501
UNSPSC 11	31261501
UNSPSC 12.01	31261501
UNSPSC 13.2	31261501

approvals

UL Recognized /

Electronic housing - ME 22,5 UTG GYWH - 2707149

approvals

Approval details



accessories

Coding element

CR-MSTB - 1734401



CP-MSTB - 1734634



Component housing center part

ME 45 UTM GN - 2853404



ME 45 UTM G GN - 2853417



Mounting material

Electronic housing - ME 22,5 UTG GYWH - 2707149

accessories

ME-SAS - 2853899



ME LPZS - 2906911

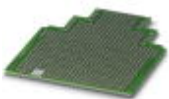


ME MF 17,5 - 2908281



PCB

ME LP - 2906908



Filler plug

ME B-22,5 MKDSO GN - 2907143



Ground contact

Electronic housing - ME 22,5 UTG GYWH - 2707149

accessories

ME FE-CONTACT - 2908294



accessories

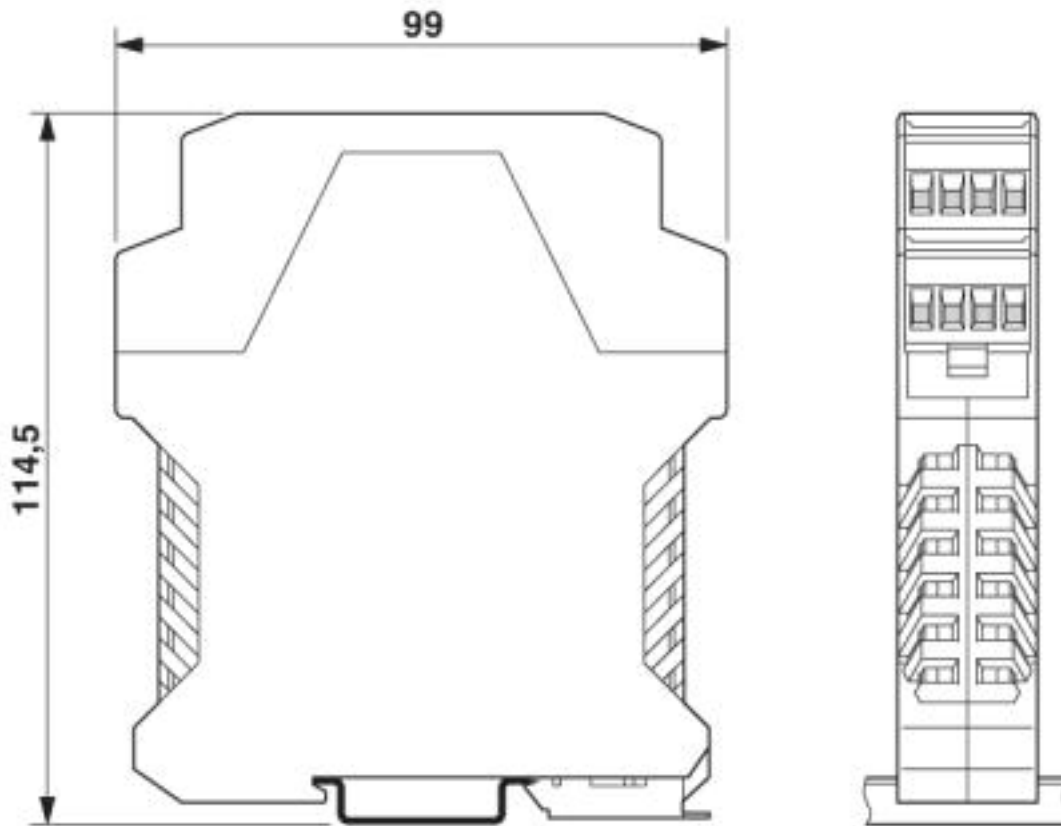
ME B-22,5 MSTBO GYWH - 2853941



Drawings

Electronic housing - ME 22,5 UTG GYWH - 2707149

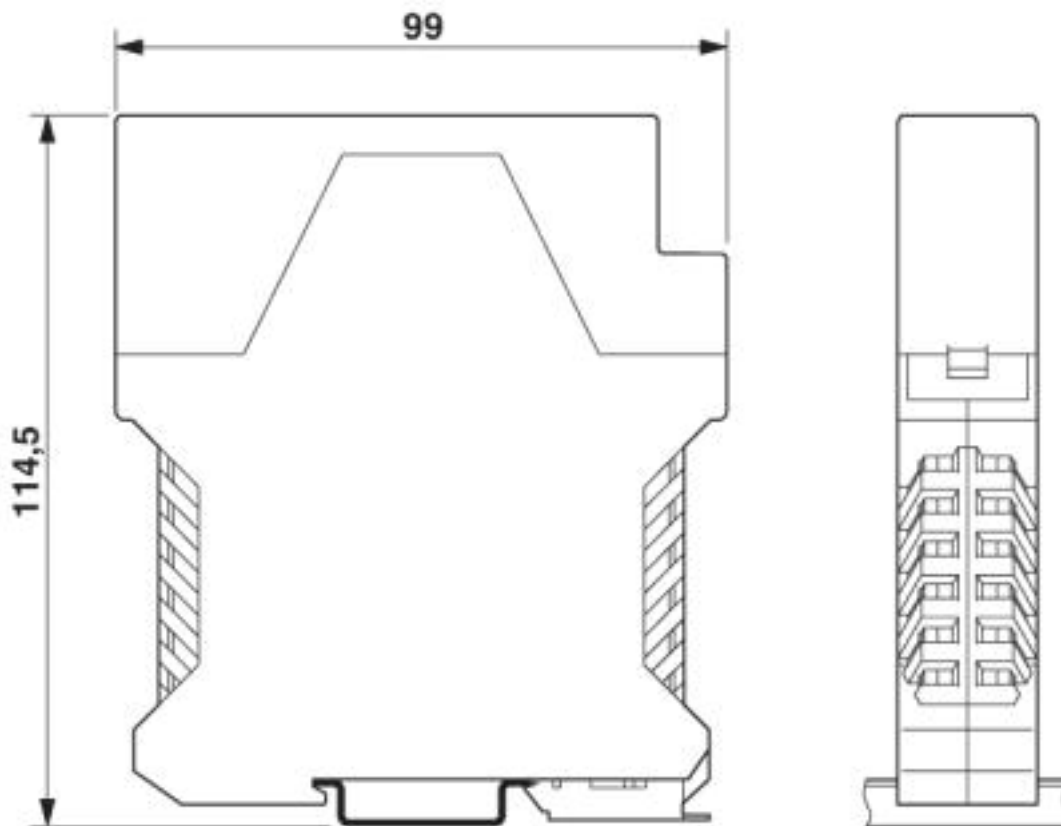
Dimensioned drawing



Dimensions of the electronic housing ME... with double-level upper part

Electronic housing - ME 22,5 UTG GYWH - 2707149

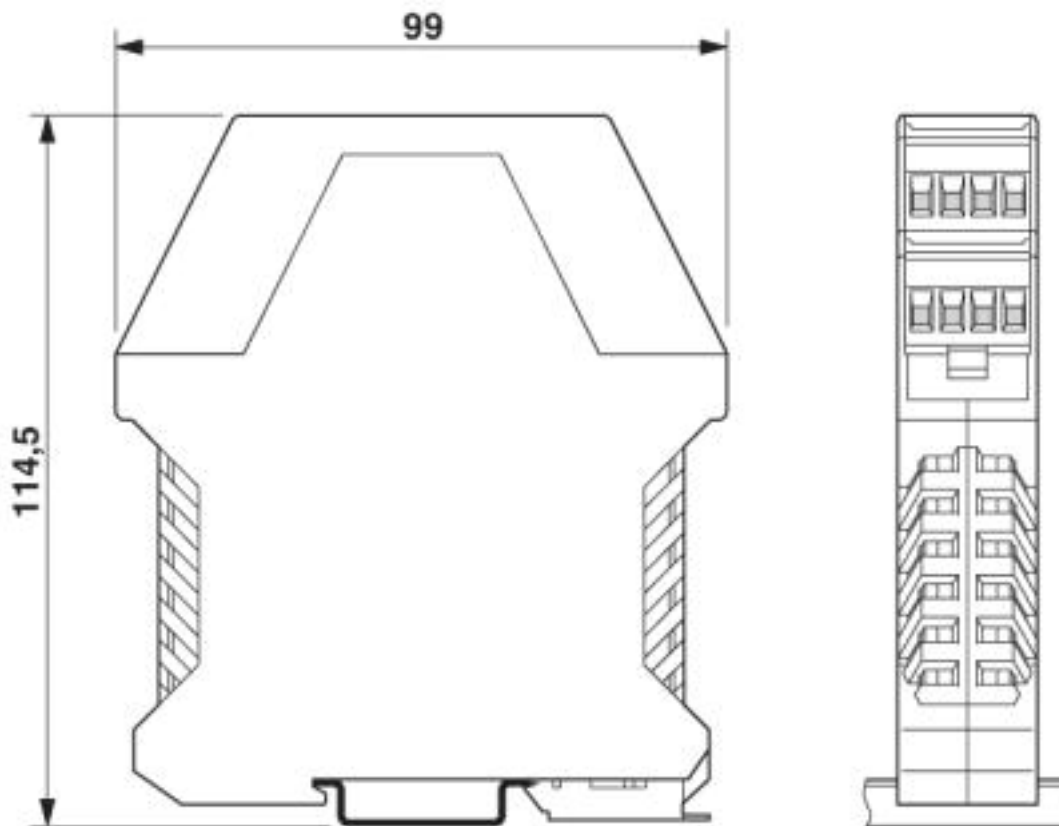
Dimensioned drawing



Dimensions of the electronic housing ME... with single-level upper part

Electronic housing - ME 22,5 UTG GYWH - 2707149

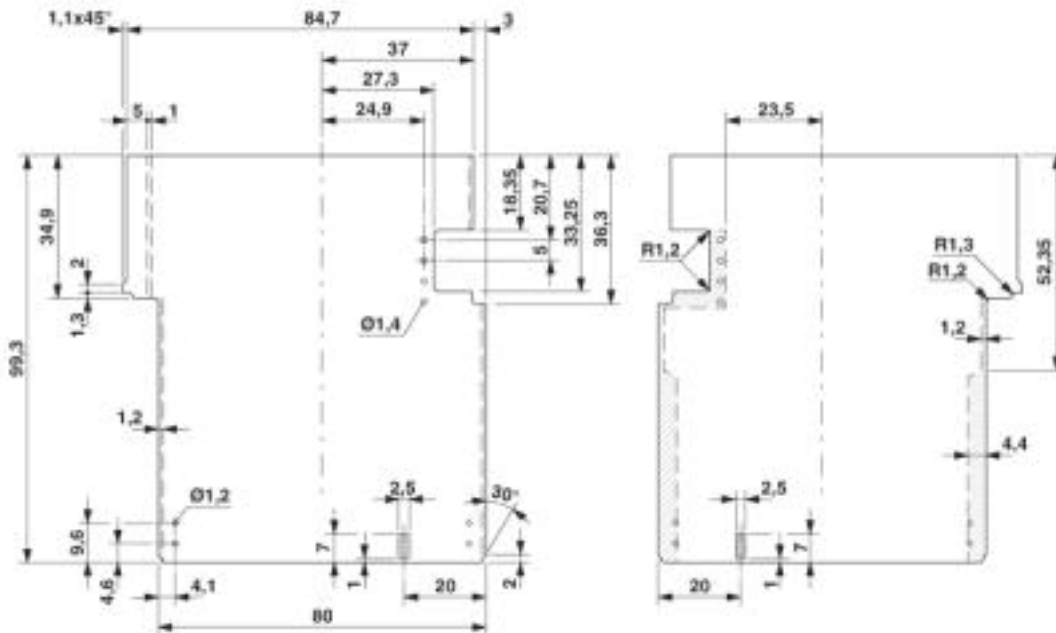
Dimensioned drawing



Dimensions of the electronic housing ME... with double-level upper part

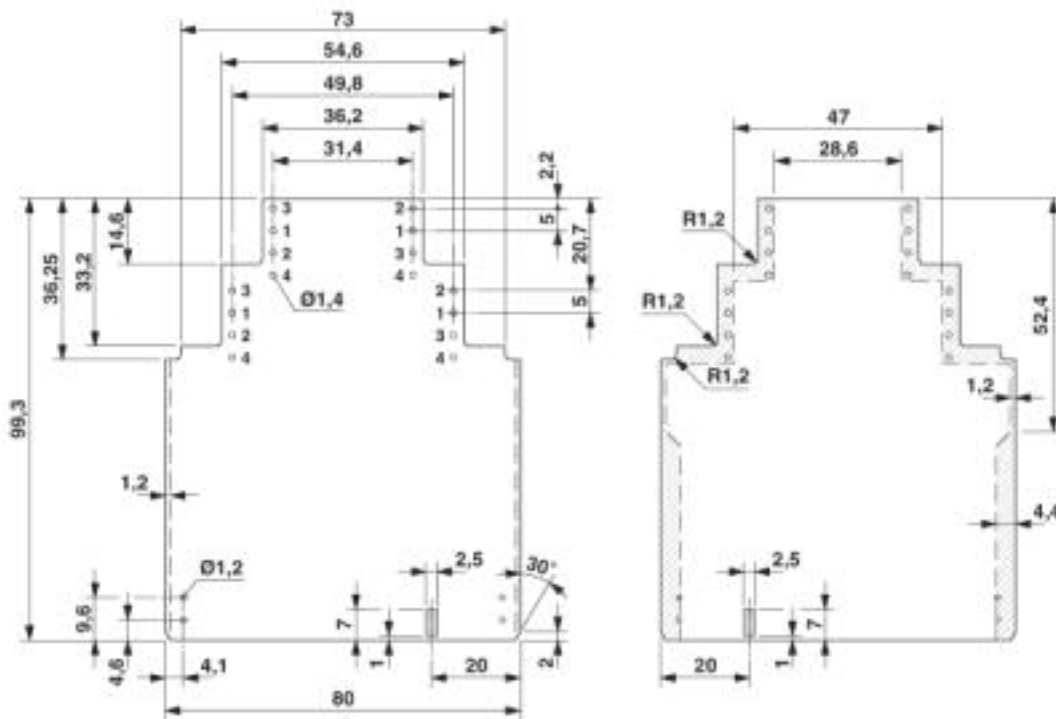
Electronic housing - ME 22,5 UTG GYWH - 2707149

Dimensioned drawing



Dimensional drawing of the ME... printed circuit board if the single level upper part is used

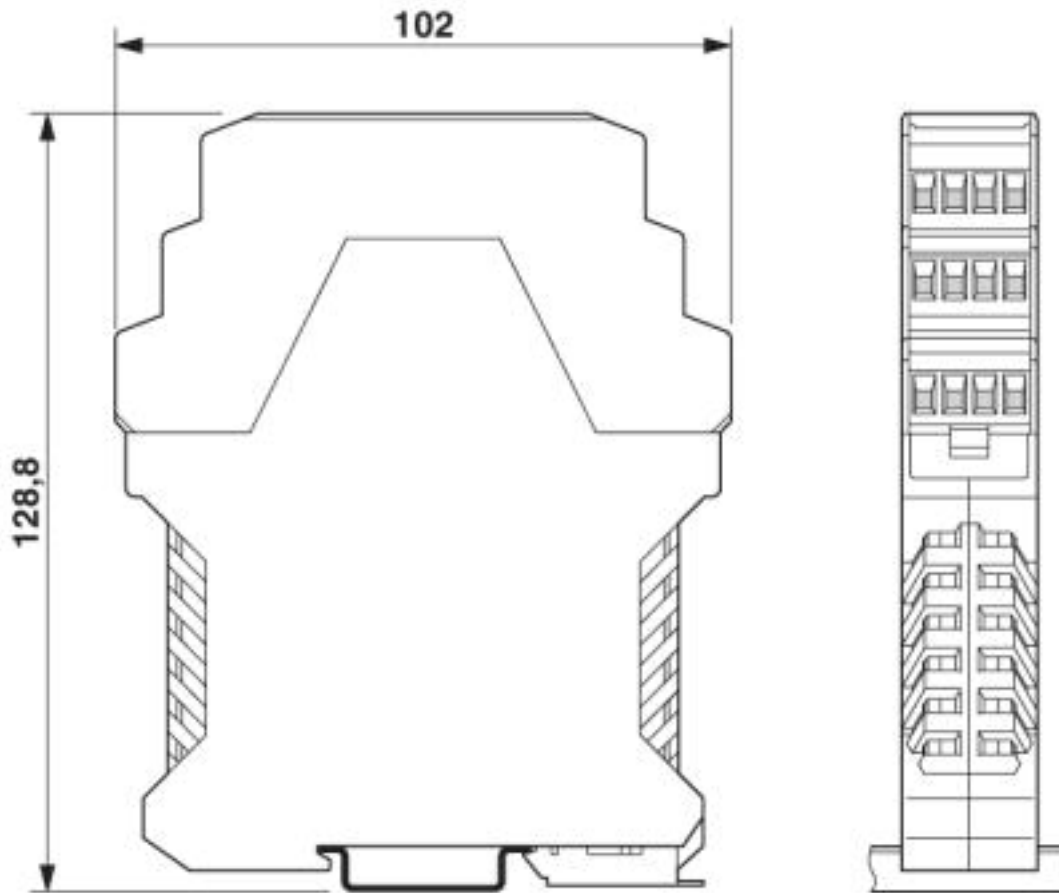
Dimensioned drawing



Dimensional drawing of the ME... printed circuit board if the double level upper part is used

Electronic housing - ME 22,5 UTG GYWH - 2707149

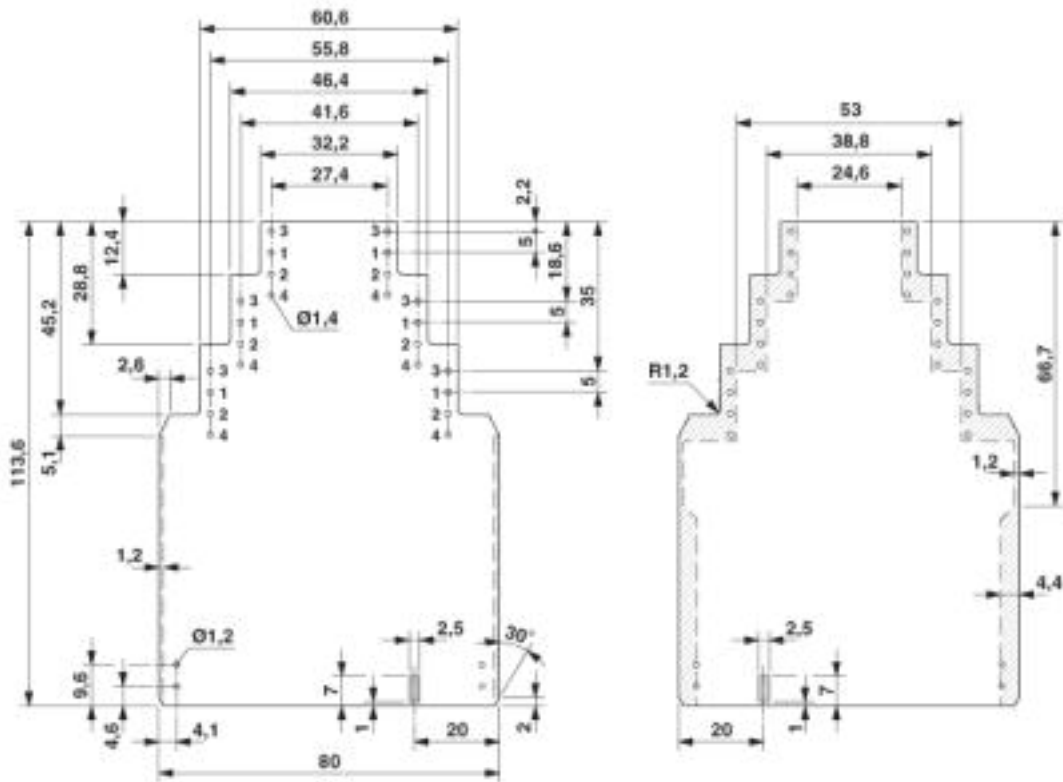
Dimensioned drawing



Dimensional drawing of the ME... printed circuit board if the triple-level upper part is used

Electronic housing - ME 22,5 UTG GYWH - 2707149

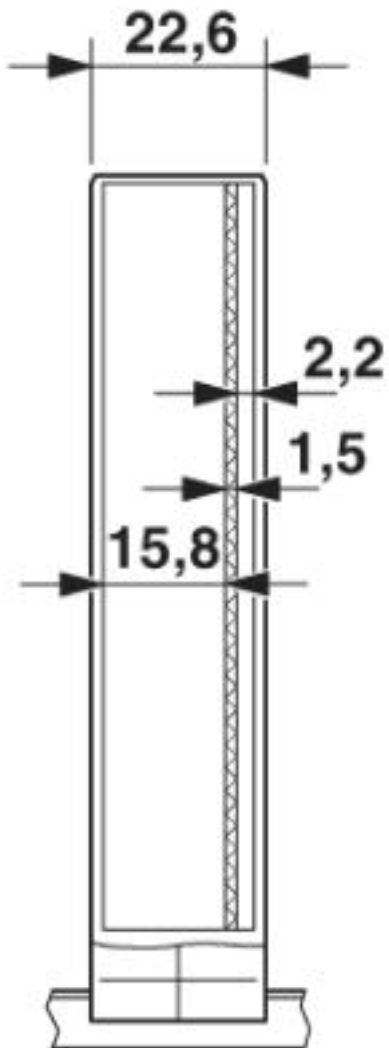
Dimensioned drawing



Dimensional drawing of the ME... printed circuit board if the triple-level upper part is used

Electronic housing - ME 22,5 UTG GYWH - 2707149

Dimensioned drawing



Inner housing dimensions, electronic housing ME 22.5 ...

© Phoenix Contact 2013 - all rights reserved
<http://www.phoenixcontact.com>