

# Electronic housing - ME 12,5 UTG/FE GN - 2906801

Please be informed that the data shown in this PDF Document is generated from our Online Catalog. Please find the complete data in the user's documentation. Our General Terms of Use for Downloads are valid (<http://download.phoenixcontact.com>)



Lower part of housing, fully assembled, with integrated functional earth ground contact, (housing closed) and metal foot catch.

## Product Features

- Tool-free mounting
- Low design width with a high number of positions
- Large assembly area
- Recessed labeling areas
- Same PCB geometry for all design widths
- Inflammability class V0 according to UL 94
- Fast mounting on DIN rails according to EN 60715
- Material and part identification embossed on the housing (recyclability)
- Cost savings thanks to easy device production
- Functional earth ground contact (EMC) integrated in the housing base
- Optional BUS connection integrated in the housing, for either parallel or serial contacting
- Metal foot catch
- Electronic components can be partially removed

## Key commercial data

<b>package_quantity</b>	10
<b>GTIN</b>	4017918131401

## Technical data

### General

<b>Housing type</b>	Component housing
<b>Housing material</b>	Polyamide
<b>Color</b>	green

### Ambient conditions

<b>Ambient temperature (operation)</b>	-40 °C ... 105 °C
--	-------------------

### Dimensions

<b>Length</b>	99 mm
<b>Constructional height</b>	114.5 mm
<b>Width</b>	12.5 mm

### Technical data

# Electronic housing - ME 12,5 UTG/FE GN - 2906801

## Technical data

### Technical data

Inflammability class according to UL 94	V0
Power dissipation at 20°C in the horizontal mounting position	4.3 W 7.1 W
Number of positions	8

## classifications

### eCl@ss

eCl@ss 4.0	27180401
eCl@ss 4.1	27180401
eCl@ss 5.0	27180506
eCl@ss 5.1	27180506
eCl@ss 6.0	27180802
eCl@ss 7.0	27182702
eCl@ss 8.0	27182702

### ETIM

ETIM 2.0	EC001031
ETIM 3.0	EC001031
ETIM 4.0	EC001031
ETIM 5.0	EC001031

### UNSPSC

UNSPSC 6.01	31261501
UNSPSC 7.0901	31261501
UNSPSC 11	31261501
UNSPSC 12.01	31261501
UNSPSC 13.2	31261501

## approvals

UL Recognized /

### Approval details



## accessories

### Coding element

## Electronic housing - ME 12,5 UTG/FE GN - 2906801

### accessories

CR-MSTB - 1734401



CP-MSTB - 1734634



### Mounting material

ME-SAS - 2853899



ME LPZS - 2906911



ME-SAS - 2853899



## Electronic housing - ME 12,5 UTG/FE GN - 2906801

### accessories

ME LPZS - 2906911



---

### Filler plug

ME B-12,5 MSTBO GN - 2906856



ME B-12,5 MKDSO GN - 2906872



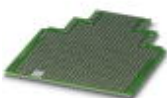
ME B-12,5 MKDSO GN - 2906872



---

### PCB

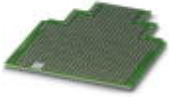
ME LP - 2906908



## Electronic housing - ME 12,5 UTG/FE GN - 2906801

accessories

ME LP - 2906908



---

### Printed circuit board terminal

MKDSO 2,5/ 2-R - 1707195

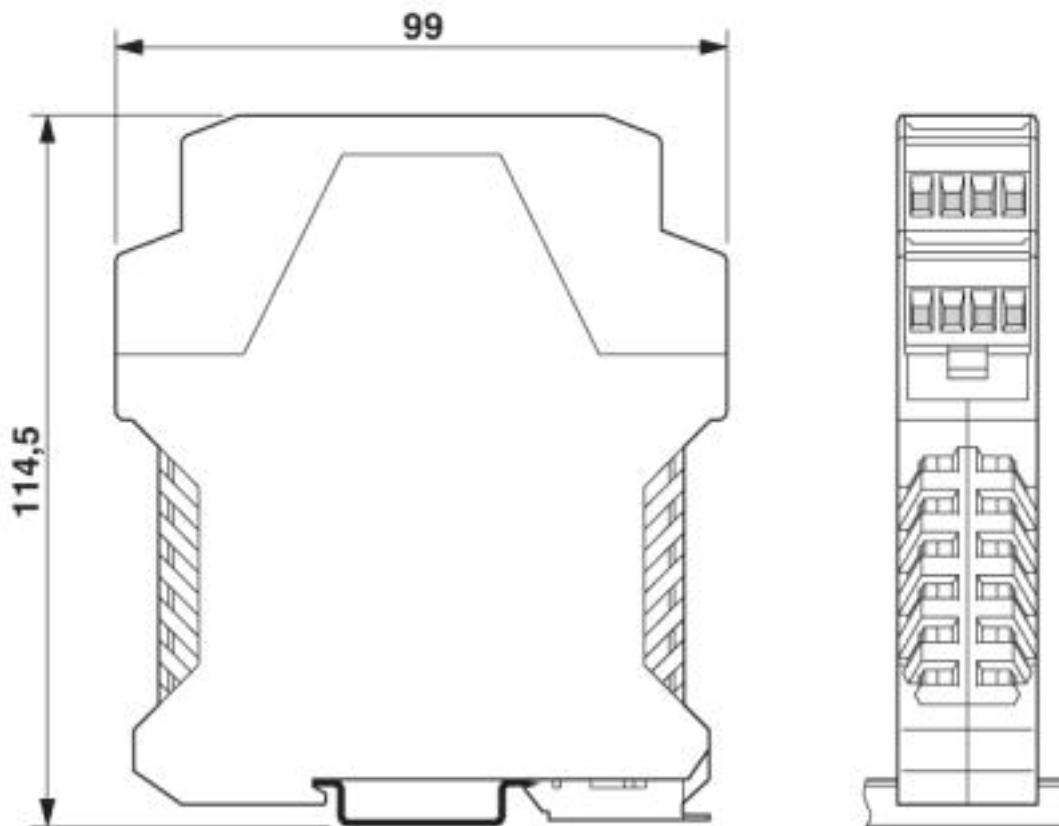


---

Drawings

# Electronic housing - ME 12,5 UTG/FE GN - 2906801

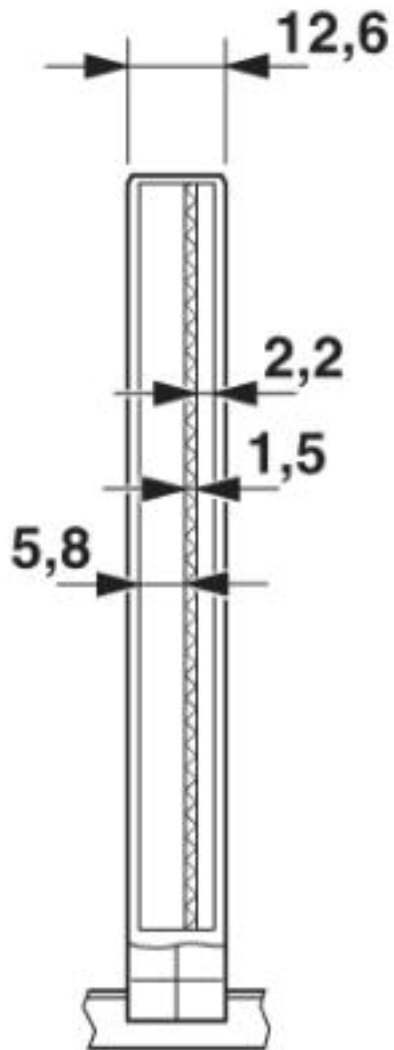
Dimensioned drawing



Dimensions of the electronic housing ME... with double-level upper part

# Electronic housing - ME 12,5 UTG/FE GN - 2906801

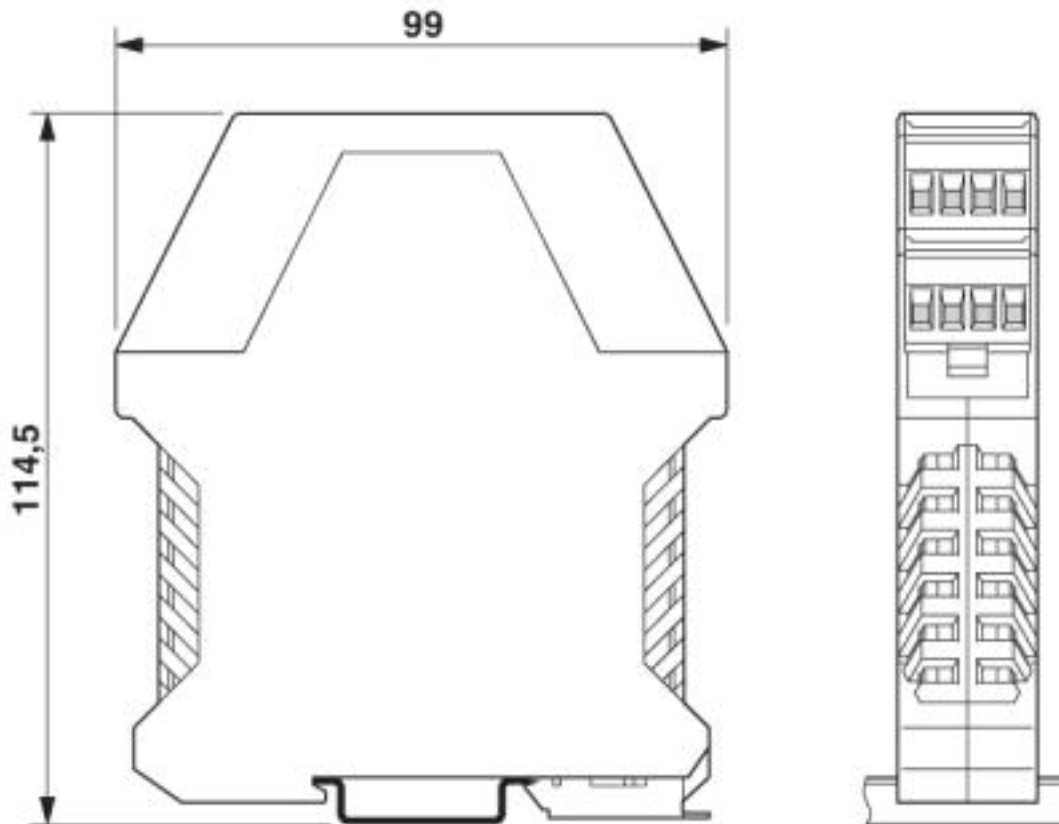
Dimensioned drawing



Inner housing dimensions, electronic housing ME 17,5 ...

# Electronic housing - ME 12,5 UTG/FE GN - 2906801

Dimensioned drawing

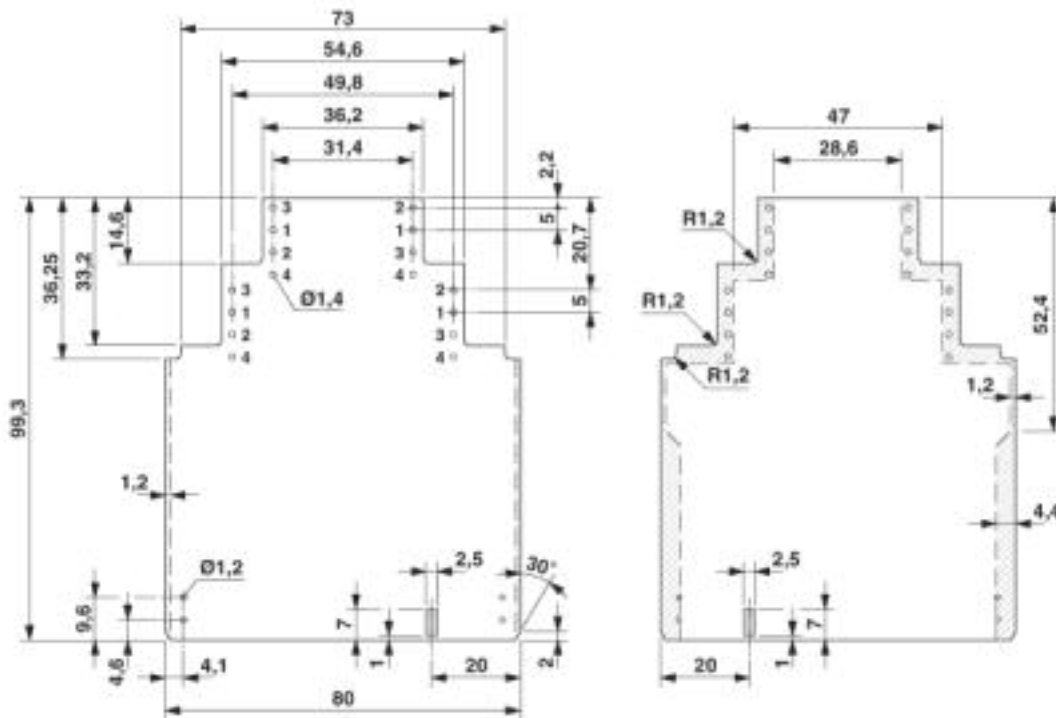


Dimensions of the electronic housing ME... with double-level upper part



# Electronic housing - ME 12,5 UTG/FE GN - 2906801

Dimensioned drawing



Dimensional drawing of the ME... printed circuit board if the double level upper part is used

© Phoenix Contact 2013 - all rights reserved  
<http://www.phoenixcontact.com>