

Electronic housing - ME 35 UT TBUS GN - 2709532

Please be informed that the data shown in this PDF Document is generated from our Online Catalog. Please find the complete data in the user's documentation. Our General Terms of Use for Downloads are valid (<http://download.phoenixcontact.com>)



Lower part of housing, 35 mm wide, housing open, fully assembled, without bus connector.

Product Features

- Gold contacts for data transmission and power supply (125 V, 8 A)
- When a device is unplugged from the system as a whole, the signal chain is not interrupted# Supply via standard MINI COMBICON plug
- ME...TBUS connector with 5 parallel contacts can be snapped onto DIN rails to save space

Key commercial data

package_quantity	10
GTIN	4017918904579

classifications

eCl@ss

eCl@ss 4.0	27180401
eCl@ss 4.1	27180401
eCl@ss 5.0	27180506
eCl@ss 5.1	27180506
eCl@ss 6.0	27180802
eCl@ss 7.0	27182702
eCl@ss 8.0	27182702

ETIM

ETIM 2.0	EC001031
ETIM 3.0	EC001031
ETIM 4.0	EC001031
ETIM 5.0	EC001031

UNSPSC

UNSPSC 6.01	31261501
UNSPSC 7.0901	31261501
UNSPSC 11	31261501
UNSPSC 12.01	31261501
UNSPSC 13.2	31261501

Electronic housing - ME 35 UT TBUS GN - 2709532

approvals

UL Recognized /

Approval details

UL Recognized 

accessories

Coding element

CR-MSTB - 1734401



CP-MSTB - 1734634



Mounting material

ME-SAS - 2853899



Filler plug

Electronic housing - ME 35 UT TBUS GN - 2709532

accessories

ME B-17,5 MSTBO GN - 2906869

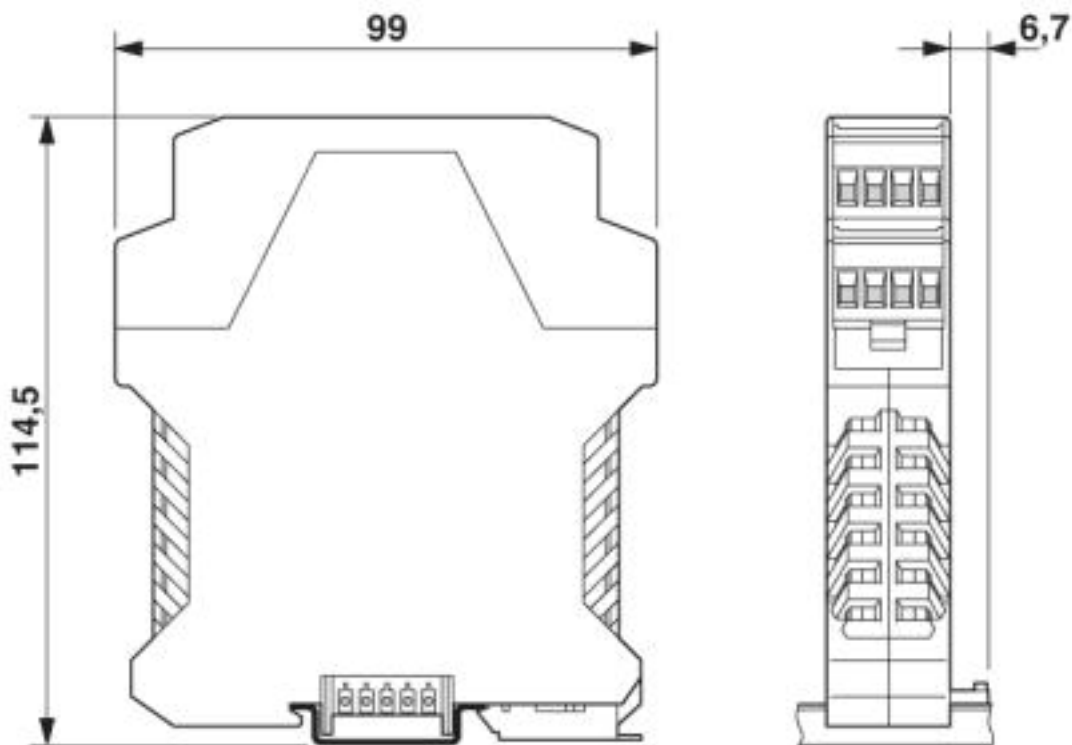


ME B-17,5 MKDSO GN - 2906885



Drawings

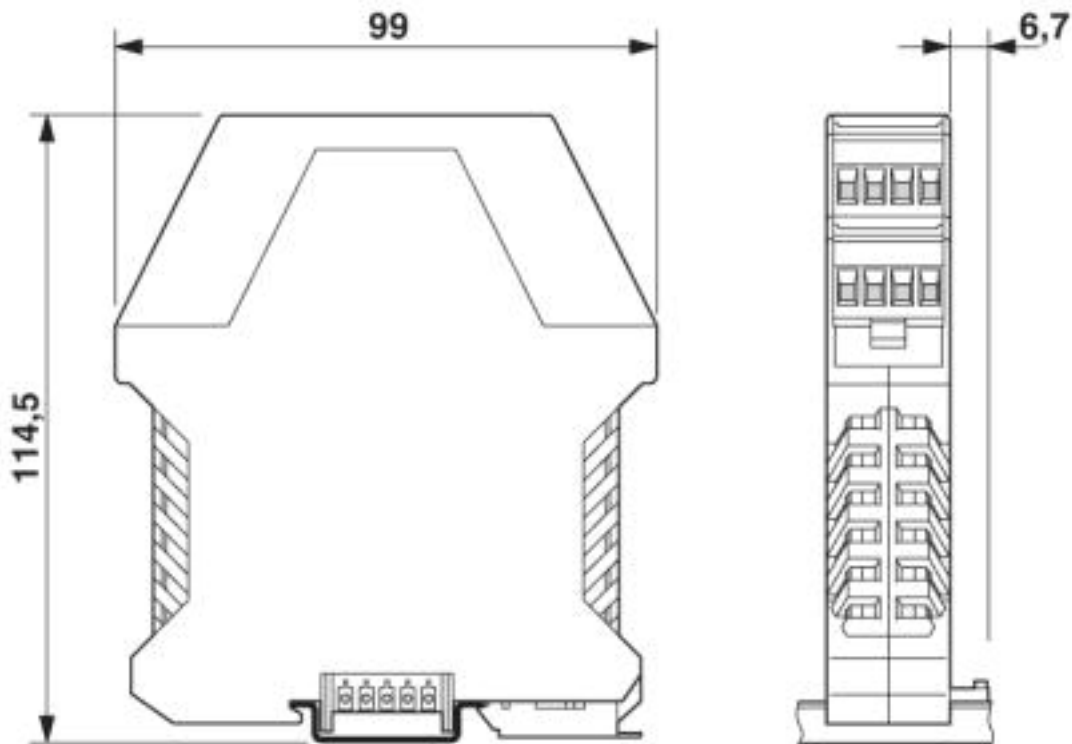
Dimensioned drawing



Dimensions of the electronic housing ME...TBUS... with double-level upper part

Electronic housing - ME 35 UT TBUS GN - 2709532

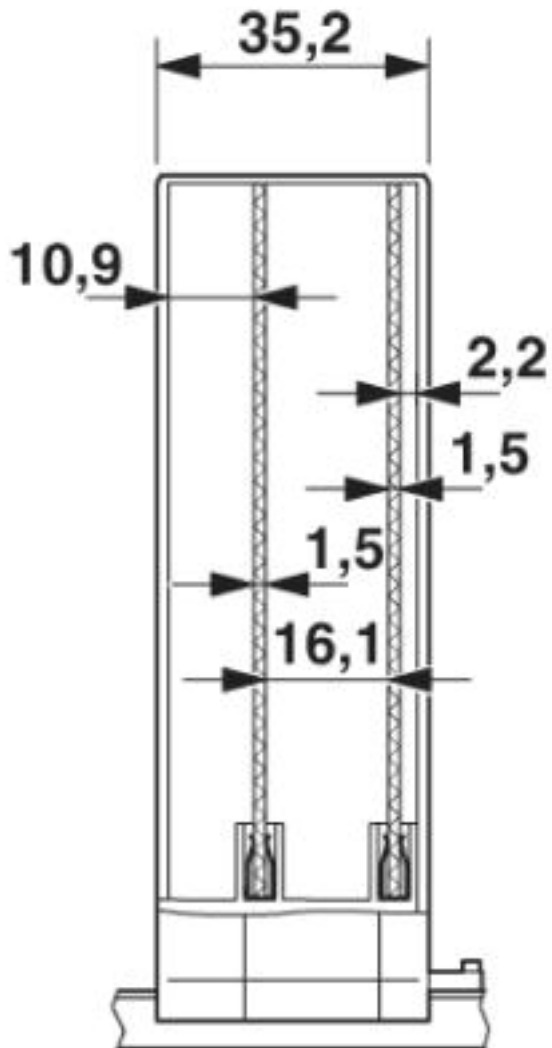
Dimensioned drawing



Dimensions of the electronic housing ME...TBUS... with double-level upper part

Electronic housing - ME 35 UT TBUS GN - 2709532

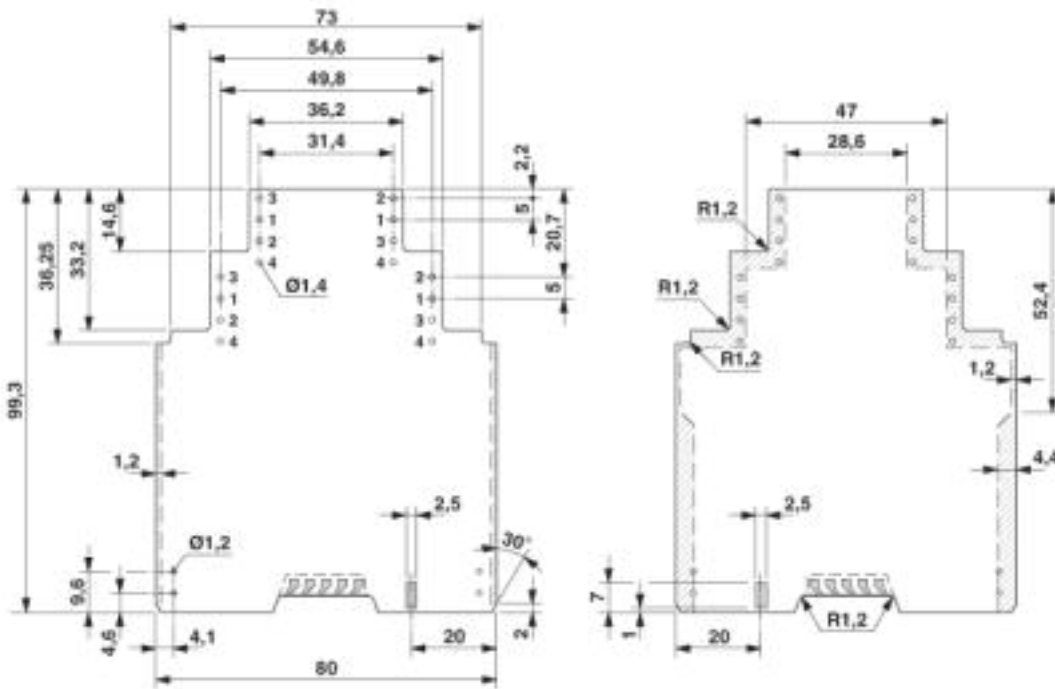
Dimensioned drawing



Internal housing dimensions, electronics housing ME 35 TBUS...

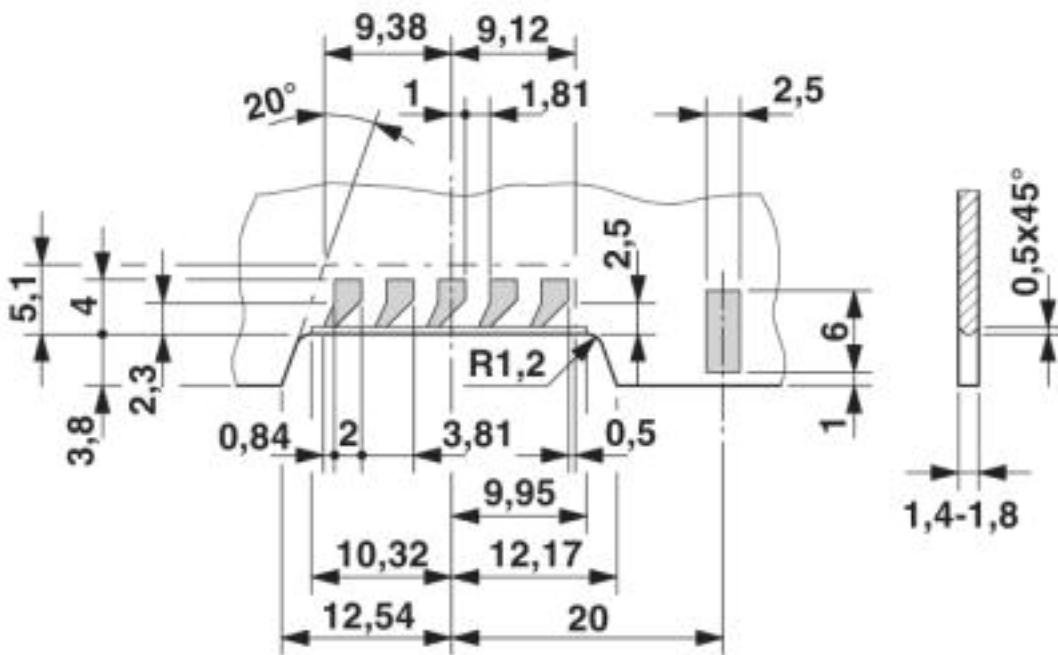
Electronic housing - ME 35 UT TBUS GN - 2709532

Dimensioned drawing



Dimensional drawing of the ME.../TBUS printed circuit board if the double level upper part is used

Dimensioned drawing



Detailed dimensional drawing of the DIN rail connector contact pads

