

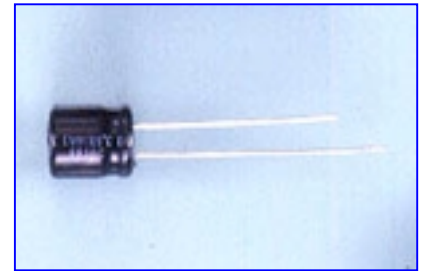
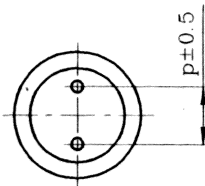
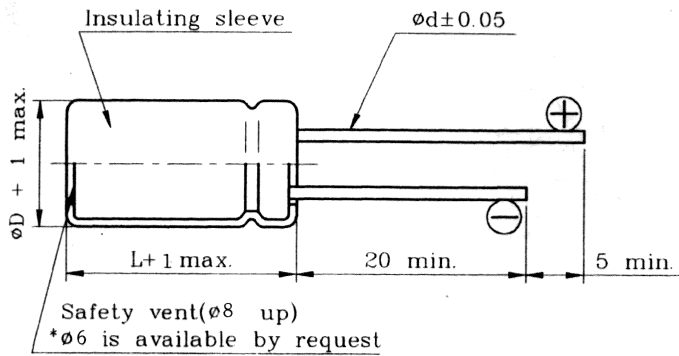
**EMR SERIES**

- Super miniature size.
- Designed for use in VTRs, car radios, Car stereos. Micro-cassette tape recorders, pocket calculators and watches.

**Characteristics**

<b>Voltage Range</b>	6.3 ~ 63V							
<b>Capacitance Range</b>	0.47 ~ 220uF							
<b>Temperature Range</b>	-40 ~ + 105°C							
<b>Capacitance Tolerance</b>	+20% -20% (at 20°C, 120Hz)							
<b>Leakage Current</b>	I≤0.01CV or 3uA, whichever is greater (After 2 minutes)							
<b>Dissipation Factor</b>	Rated Voltage (V)	6.3V	10V	16V	25V	35V	50V	63V
	Dissipation Factor( tan δ )max	0.24	0.20	0.16	0.14	0.12	0.10	0.10
(at 20°C, 120Hz)								
<b>Stability at Low Temperature</b>	Impedance ration at 120Hz							
	Rated Voltage (V)	6.3V	10V	16V	25V	35V	50V	63V
	Z-25°C/Z 20°C	4	3	2	2	2	2	2
	Z-40°C/Z 20°C	8	6	4	4	3	3	3
<b>Load Life</b>	After the rated voltage has been applied for 1000 hours at 105°C	Capacitance change	Within ±20% of initial value					
		D.F. tanδ	200% of less of initial specified value					
		Leakage current	Initial specified value of less					
<b>Shelf Life</b>	After storage for 500 hours at 105°C, with no voltage applied and being stabilized at +20°C, Capacitor shall meet the limit specified in load life.							

**Diagram of dimensions**



Dø	4	5	6	8
F	1.5	2.0	2.5	3.5
dø	0.45			0.5

**Maximum Ripple Current mA rms 105°C 120Hz**

uF \ WV	6.3	10	16	25	35	50	63
0.47						5	6
1						10	13
2.2						19	21
3.3						24	26
4.7						29	33
10			30	30	33	36	45
22			37	45	47	50	
33		40	42	47	52		
47		47	60	65	70		
100		90	96	150			
220		120	150				

**Case Size of Standard Products D x L (mm)**

UF \ WV	6.3	10	16	25	35	50	63
0.47					→	4x7	4x7
1	ALL BLANK VOLTAGE ON SLEEVE MARKING IS SAME VOLTAGE "→" POINT TO				→	4x7	4x7
2.2					→	4x7	4x7
3.3					→	4x7	4x7
4.7					→	4x7	4x7
10		→	4x7	4x7	4x7	5x7	6x7
22	→	→	4x7	5x7	5x7	6x7	
33	→	4x7	4x7	5x7	6x7		
47	→	4x7	5x7	6x7	6x7		
100	→	5x7	6x7	8x9			
220	→	6x7	8x9				