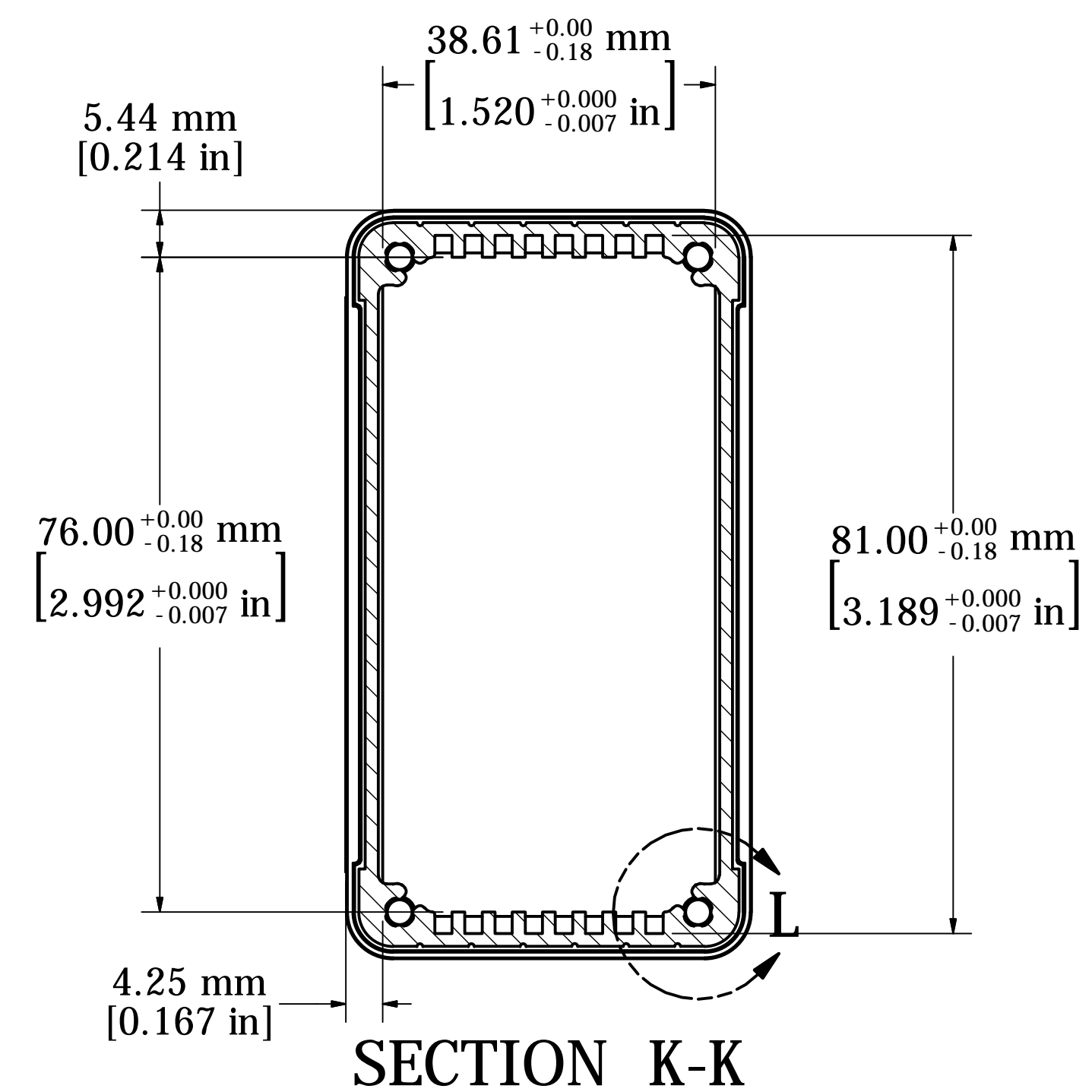


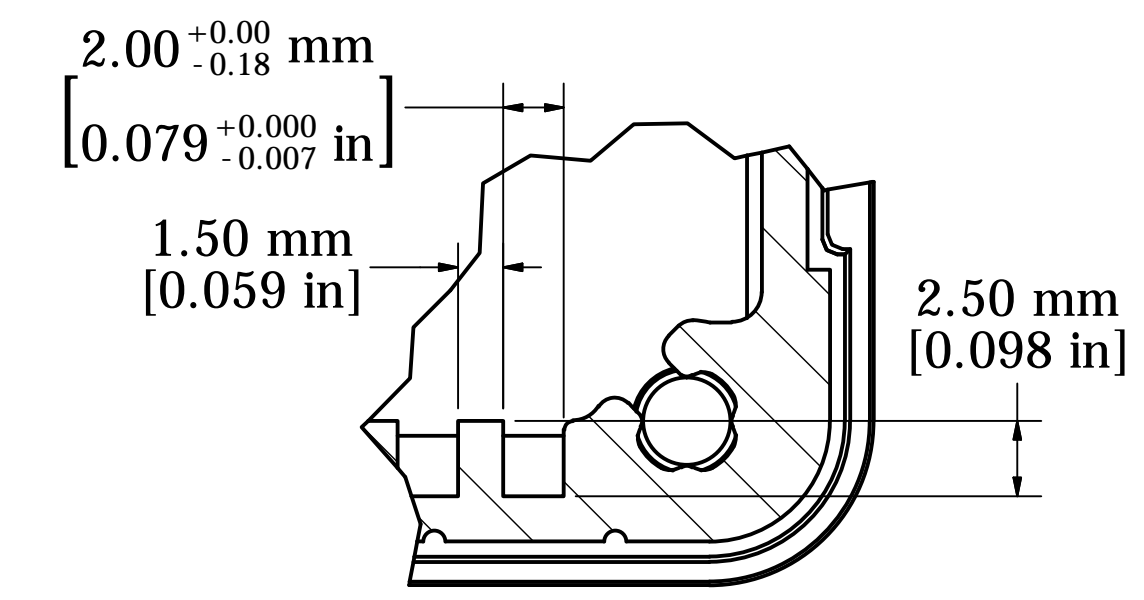
ASSEMBLY - VIEW FROM TOP

Inside Face to Face Dimension

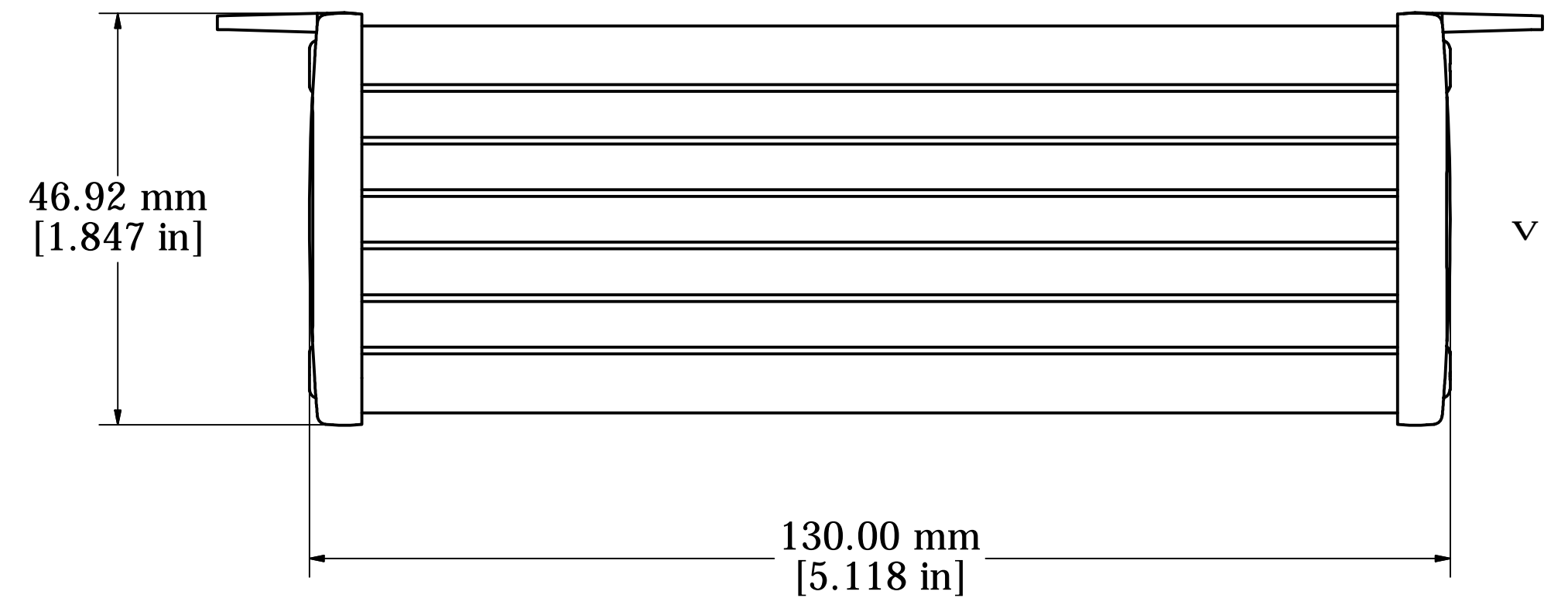
.75mm (.030") Deep Recess For Labels/Keypads etc.



SECTION K-K

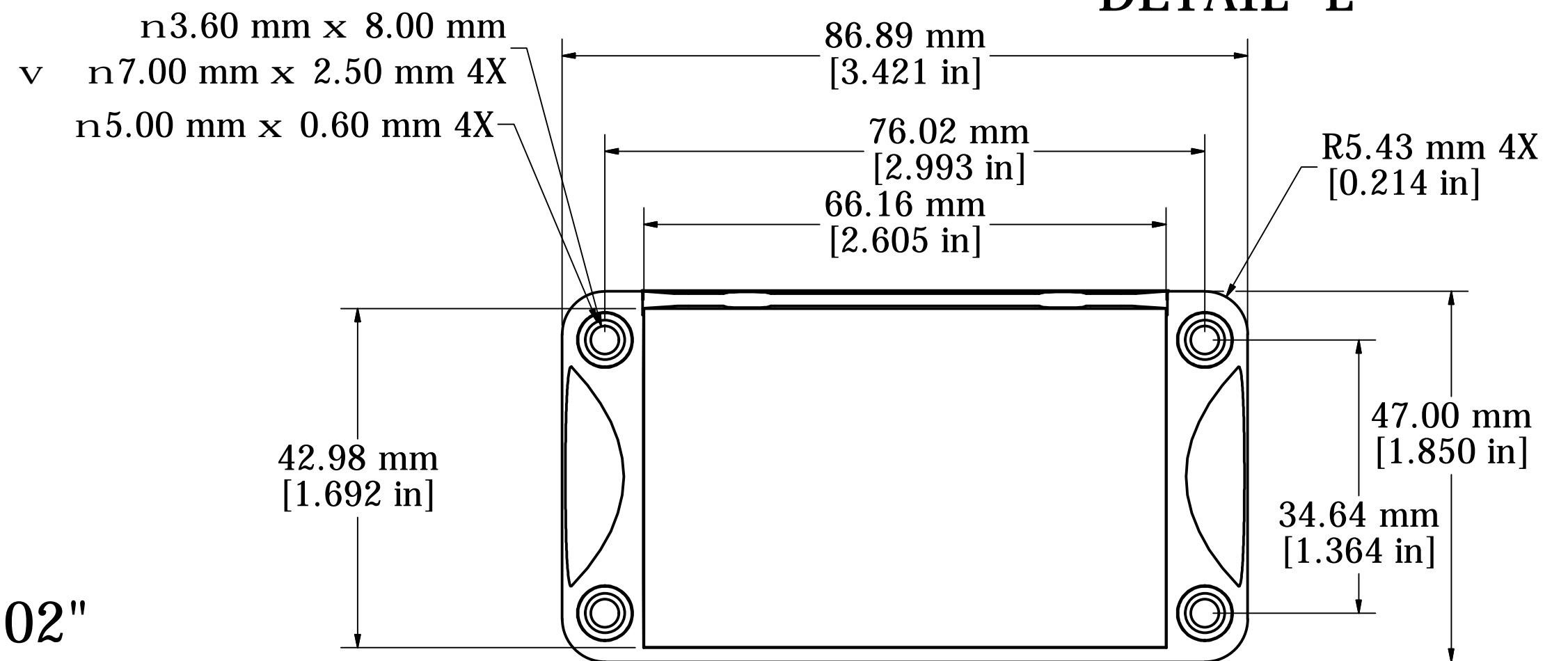


DETAIL L



Fits 120mm (4.724") X 80mm (3.149") PCB

Note: Aluminum extrusion has a tolerance of +/- .02"



END PANEL - VIEW FROM OUTSIDE

PROTECTION TO IP 65

Enclosures can be Factory Modified ( Milling, Drilling, Printing etc. )  
 Contact Factory [mjm@hammondmfg.com](mailto:mjm@hammondmfg.com) for quotes  
 Solid models of this enclosure available in STEP or IGES.

NOTE	
Purchased assembly includes box, end panels, stainless steel #6 Taptight screws, self adhesive rubber feet, gaskets and O-Rings.	
Box made from Extruded Aluminum 6063.	
End panels made from Type 380 Diecast Aluminum with a black powder paint finish.	
WATERPROOF 1457K1202	
PART NUMBERS	
Clear anodized box with black powder painted end panels	1457K1202
Black powder painted box and end panels	1457K1202BK
EMI/RFI SHIELDED (IP 54)	
Clear anodized box with black powder painted end panels	1457K1202E
Black powder painted box and end panels	1457K1202EBK
ACCESSORIES	
See website for accessories.	

**HAMMOND  
MANUFACTURING™**

**1457K1202**

[www.hammondmfg.com](http://www.hammondmfg.com)