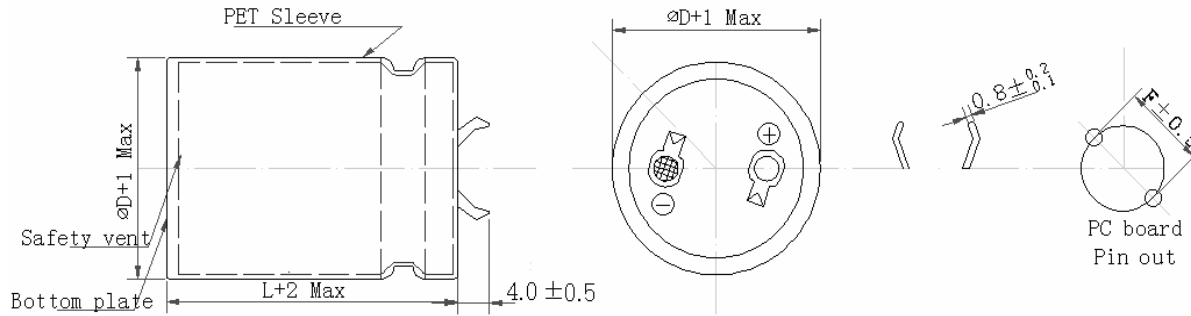




# Aluminum Electrolytic Capacitor

Customer	AMEC GMBH	SERIES	GM	NO.:521-510199	PUBLISH DATE	2015-1-23
----------	-----------	--------	----	----------------	--------------	-----------



No.	ELITE Part No.	Customer Part No.	Capacitance (uF)	Tolerance on rated Capacitance (%)	Working Voltage (Vdc)	Surge Voltage (Vdc)	Category Temp. Range (°C)	Tanδ @25°C (120Hz) (Max)	Leakage Current (uA) (5 min.)	Rated Ripple Current (mA rms) @85°C 120 Hz	Endurance @ 85°C (Hours)	Dimensions (mm)			Appearance Drawing No
												DΦ	L	F	
1	GM1E472MND2225	N / A	4700	± 20	25	32	-40~ +85	0.41	2350	1900	2000	22	25	10	---

※ Test leakage current before testing dissipation factor and capacitance during the electric characteristic test.

REMARKS:	APPROVED BY	CHECKED BY	PREPARED BY
Sleeve Color: Dark Blue	張洪斌	彭群	朱文霞