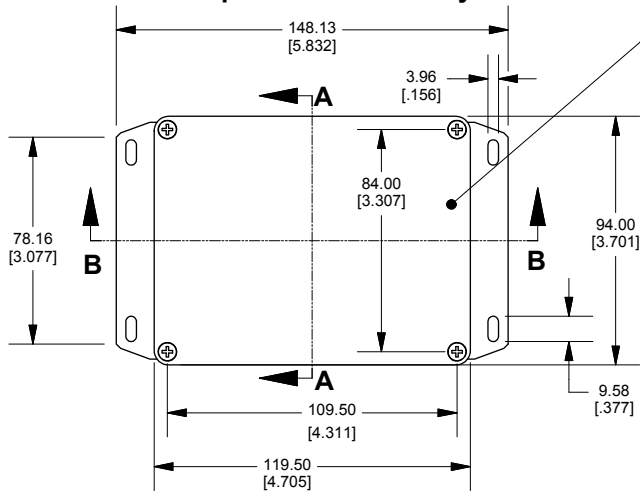
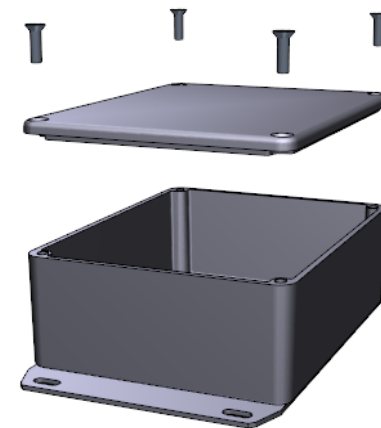
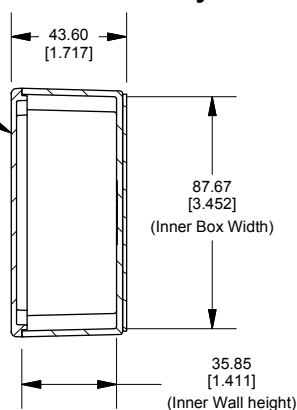


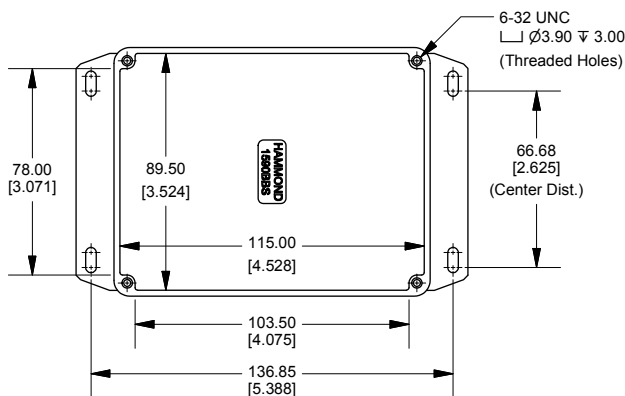
### Top View of Assembly



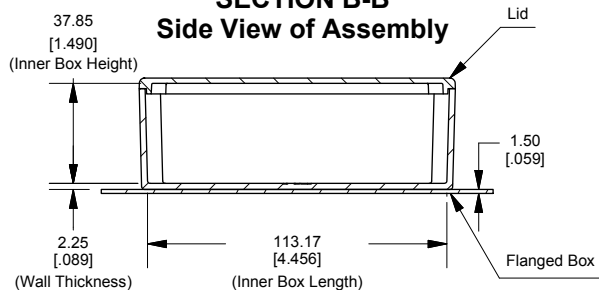
### SECTION A-A End View of Assembly



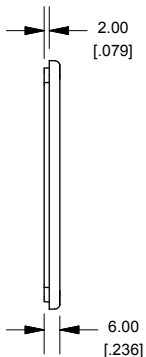
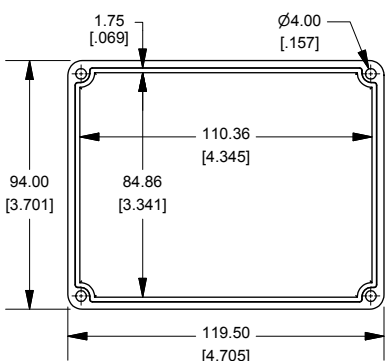
### Top View Looking Inside Box



### SECTION B-B Side View of Assembly



### Lid



Enclosures can be Factory Modified ( Milling, Drilling, Printing etc.)  
 Contact Factory [mjm@hammondmfg.com](mailto:mjm@hammondmfg.com) for quotes  
 Solid models of this enclosure available in STEP or IGES.

NOTE	
Purchased assembly includes box, lid and 4 cover screws.	
Box and lid are made from Diecast Aluminum Alloy (alloy type 380).	
Silicone gasket supplied with liquid resistant enclosures.	
Bottom Flange is Welded	
PART NUMBERS	
1590BBSF Enclosure	
Unfinished	1590BBSF
Grey Textured Polyester Powder Paint - RAL 7038	1590BBSFGY
Black Textured Polyester Powder Paint - RAL 9011	1590BBSFBK
1590BBSF Liquid Resistant Enclosure (Silicone Gasket)	
Unfinished	1590WBBSF
Black Textured Powder Paint	1590WBBSFBK
ACCESSORIES	
Recommended Torque: 75 ozf.in / 55 cN.m	
Black Textured Cover Screws (Pkg 100) [6-32 x 1/2" SS Type 304]	1590WMS100BK
Unfinished Cover Screws (Pkg 100) [6-32 x 1/2" SS Type 304]	1590WMS100
Standard Cover Screws	
Unfinished Cover Screws (Pkg 100) [6-32 x 1/2" Nickel Plated Screws]	1590MS100
Black Textured Cover Screws (Pkg 100) [6-32 x 1/2" Nickel Plated Screws]	1590MS100BK

**HAMMOND  
MANUFACTURING™**

1590BBSF

[www.hammondmfg.com](http://www.hammondmfg.com)