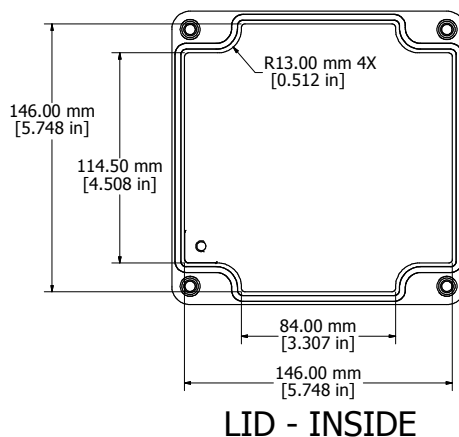


SECTION B-B



UL US LISTED
File #E65324
NEMA 4, 4X

Enclosures can be Factory Modified (Milling, Drilling, Printing etc.)
Contact Factory mjm@hammondmg.com for quotes
Solid models of this enclosure available in STEP or IGES.

NOTES

- Purchased assembly includes enclosure, M6x35 lid screws and M6x10 ground screws.
- Gasket - Preformed Silicone Rubber
- Cover screws should be torqued to 15-17 lbf.in (150-170 cN.m)

1590Z160

PART NUMBERS

Basic Enclosure	1590Z160
Black Enclosure	1590Z160BK
Grey Enclosure - RAL7001 Gloss	1590Z160GY

ACCESSORIES

Inner Panel	1590Z160PL
-------------	------------

