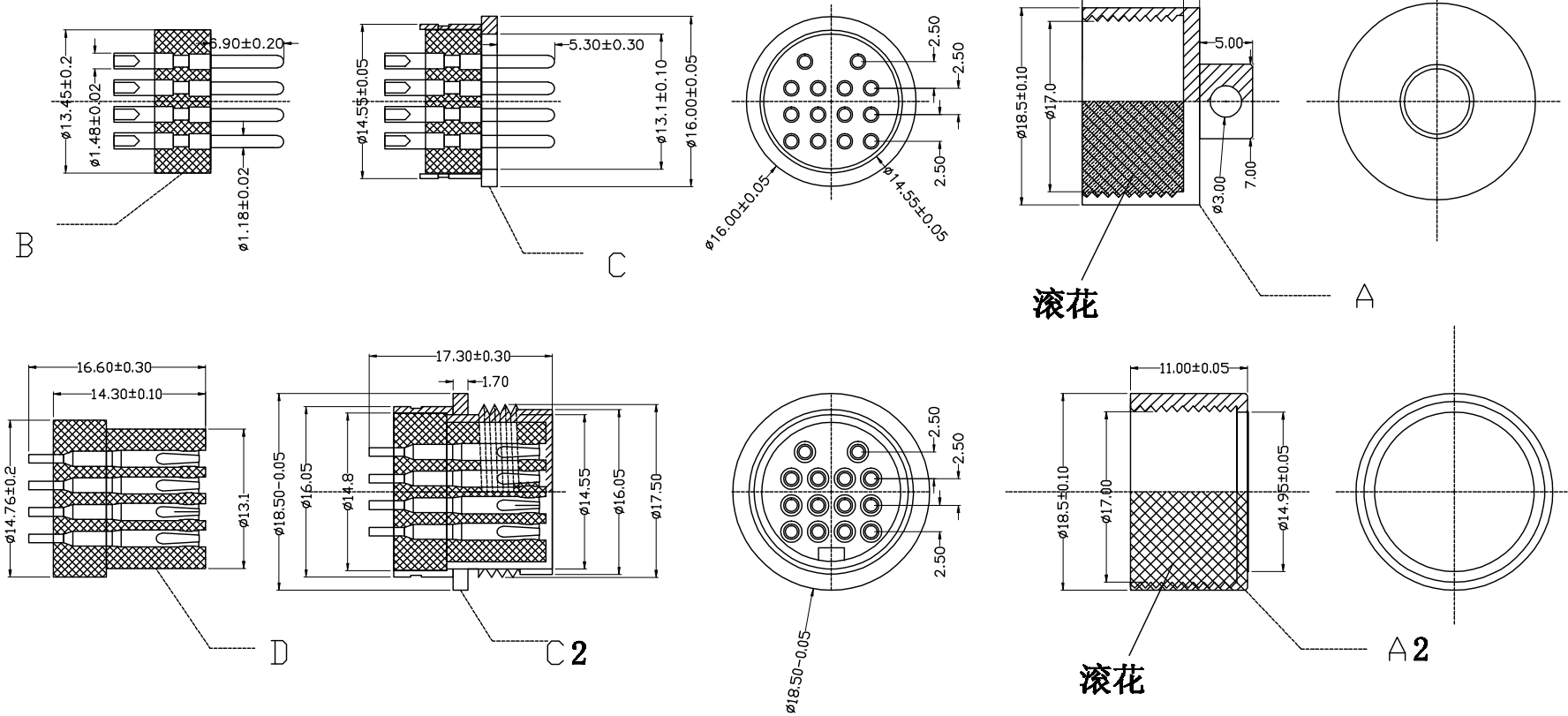
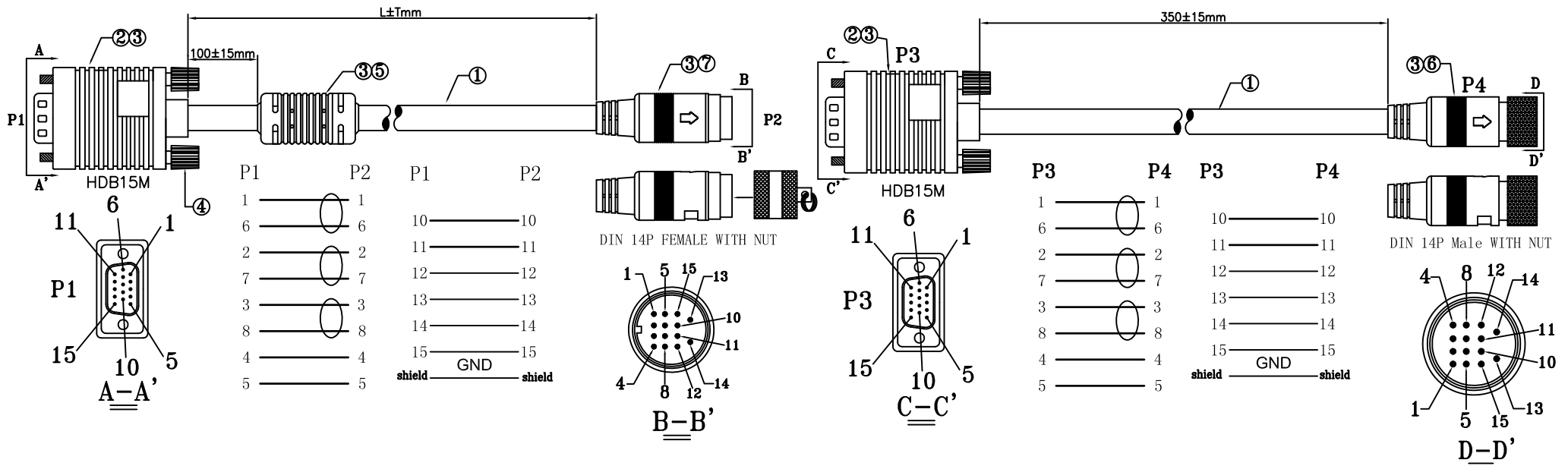


REV	LTR	DESCRIPTION	DATE	REVISER	APPD



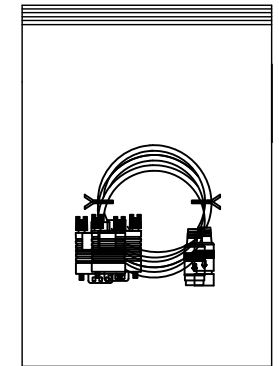
项目	零件名称	材料	处理	数量
A/A2	组装机铜管	黄铜	NI	各1
B	公头胶芯主体	PBT	注塑	1
C/C2	组装机外管	黄铜	NI	各1
D	母座胶芯主体	PBT	黑色	1

TOLERANCE					TITLE:				
.xxx					大 DIN 14P 公母锁牙式(四件套)				
.xx	$\pm 0.10$				PART NO:		DRAWING NO.:		
.x	$\pm 0.30$				CJ-DIN 14-M/F11		CP-053		
x	$\pm 0.50$				SHEET:	SCALE:	UNIT:	SIZE:	REV
ANGLE	$\pm 1^\circ$				1 / 1	4 : 1	mm	A4	A/0
APPD: 谢海军					CHECK: 黄文明				
DRAWN					10-06-18				



ITEM NO	L(mm)	T(mm)	BAGS(mm)
29039c133	10000	100	0.1*290*320
29039c133a	15000	150	0.1*350*360
29039c133b	20000	200	0.1*350*360
29039c133c	25000	250	0.1*420*450

NO	TITLE	SPECIFICATION	DOSE	ADDITIONAL
1	CABLE(BLACK)	UL2919 28AWG*3COAX+28#*8C+AL+D+B OD:8.5 Teeth shape	1	
2	HDB-15P	HDB-15P/M BLACK	2	Nickel plating
3	MOLD	PVC BLACK 45P	35g	
4	SCREW	#4-40UNC2.3*48mm	4	Nickel plating
5	FERRITE	FERRITE(17.5*9.5*28.5mm)BLACK	1	
6	DIN 14P	DIN 14P Male WITH NUT	1	
7	DIN 14P	DIN 14P FEMALE WITH NUT	1	



1PCS PE BAG(0.1\*XXX\*XXXmm)

Company		Goods Code		Draw	FC46	Date	13-05-06	D		
ITEM NO.	29039c133	Drawing Evidence:		Check		Date		C		
Goods NO.	Conrad			Approval		Date		B		
Original NO.		Unit(mm)						VER.A	REVISE	Date