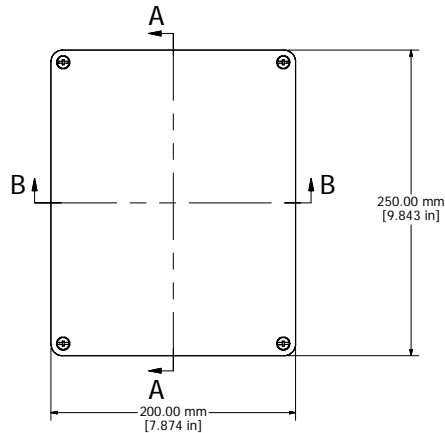
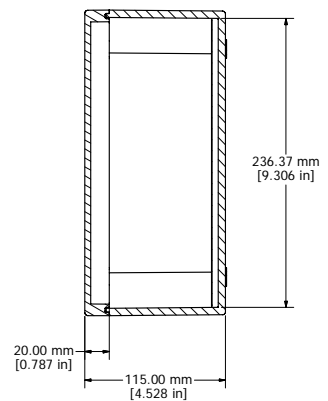


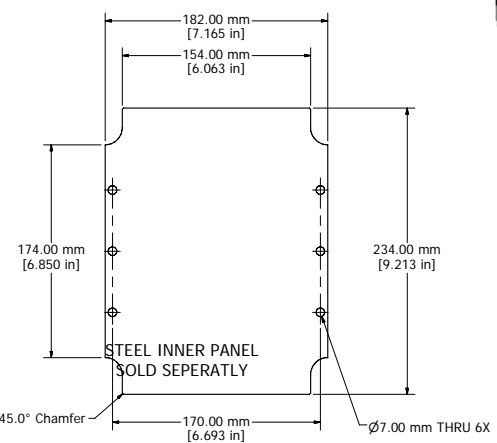
8 7 6 5 4 3 2 1



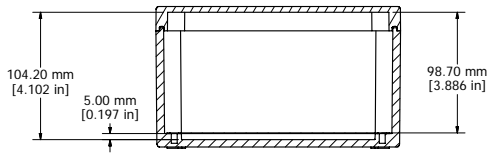
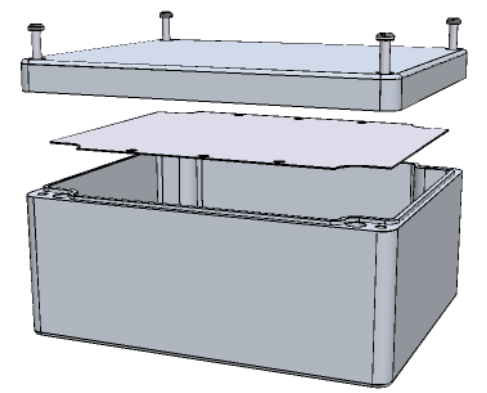
ASSEMBLY



SECTION A-A

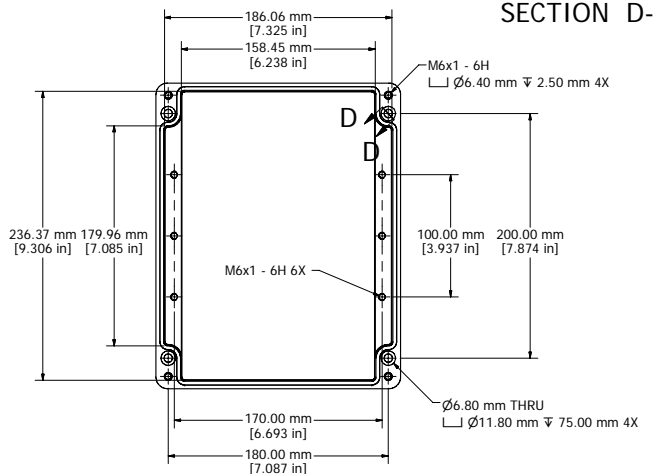


INNER PANEL

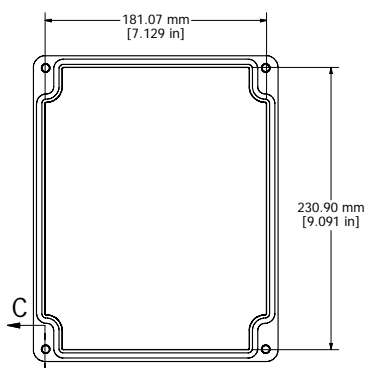


SECTION B-B

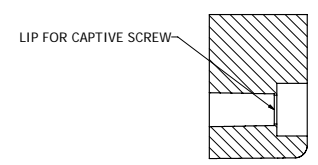
SECTION D-D



BOX - INSIDE



LID - INSIDE



SECTION C-C

UL US LISTED
 File #E65324
 NEMA 4, 4X

FIBERGLASS ENCLOSURE	
INCLUDES	
1	ENCLOSURE
4	M6 x 28mm PAN HEAD SCREWS
ACCESSORIES	
STEEL INNER PANEL	1590ZGRP233PL

HAMMOND MANUFACTURING™
 1590ZGRP233
 www.hammondmfg.com

8 7 6 5 4 3 2 1