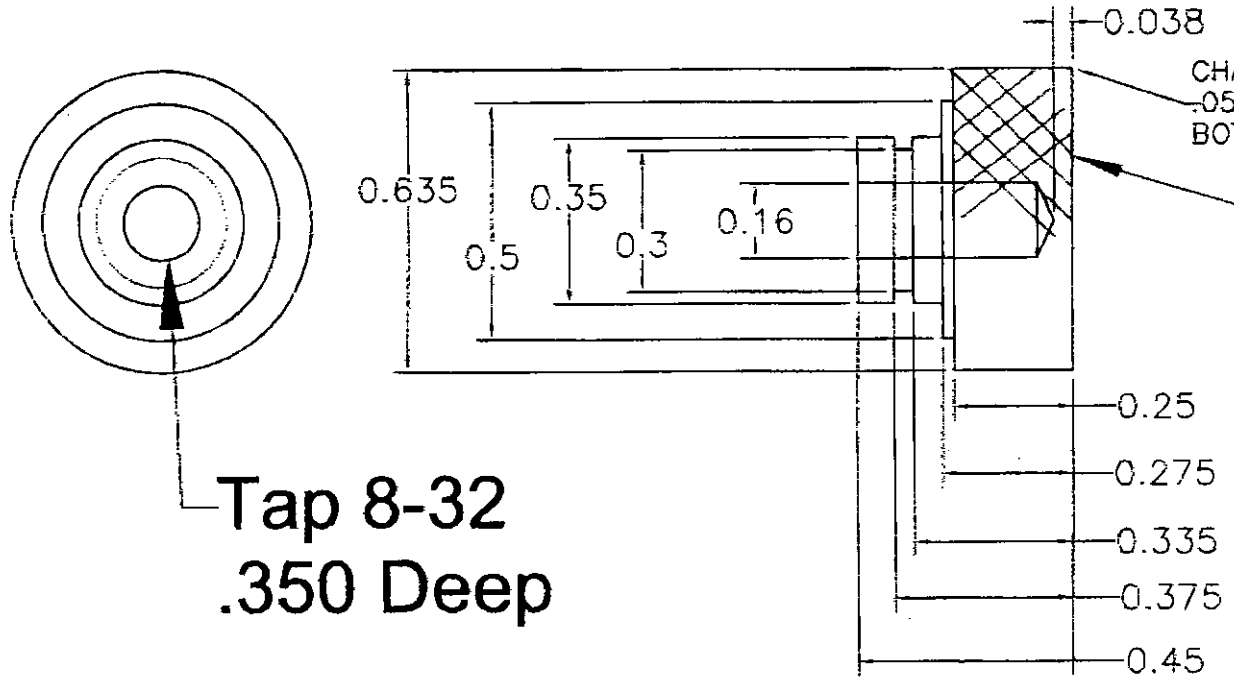


REVISIONS				
ZONE	REV	DESCRIPTION	DATE	APPROVED
-	A	.275 dia to .300 dia	04/15/99	RB



CHAMFER CORNER
 .050 X .050
 BOTH SIDES.

Knurl Outside
 of Knob.


Tap 8-32
 .350 Deep

Notes:

Break all sharp Edges.
 All internal rads .01 or less.
 Chamfer Start of Thread
 .050 x 45Deg.

Matl. Aluminum
 6061 Alloy

APPROVED
 4/26/99

TOL: .XX +/- .01 .XXX +/- .005	 HAMMOND MANUFACTURING 485 Conestogo Rd. Waterloo Ont. Canada N2L-4C9 <small>CANADA - PH (518) 888 7170 - FAX (519) 888 8311 U.S.A. - PH (718) 431 5700 - FAX (718) 431 1130</small>			
	DWN: R. Boehler 06/22/98	SIZE A	P/SON NO. FAN500000	DWG NO. FAN500000
SCALE FULL		SHEET 1 of 1		