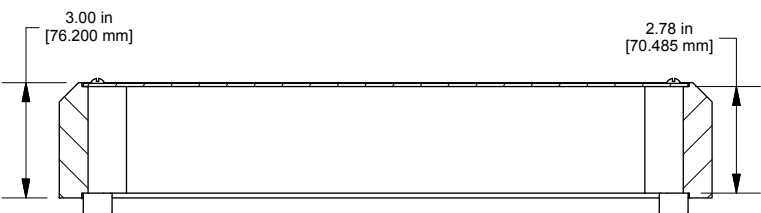
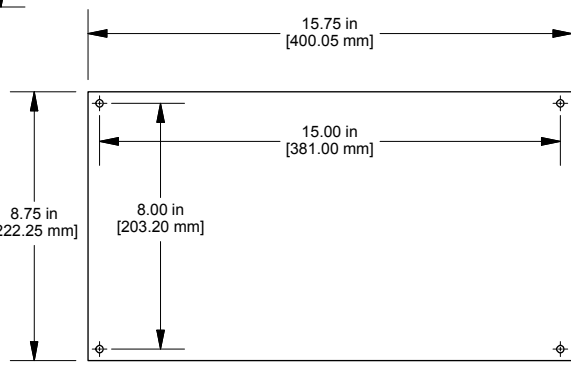


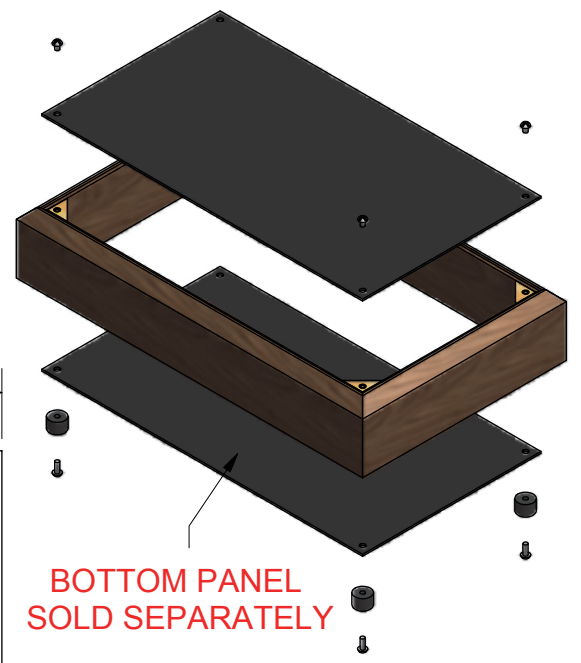
**Assembly - Top View**



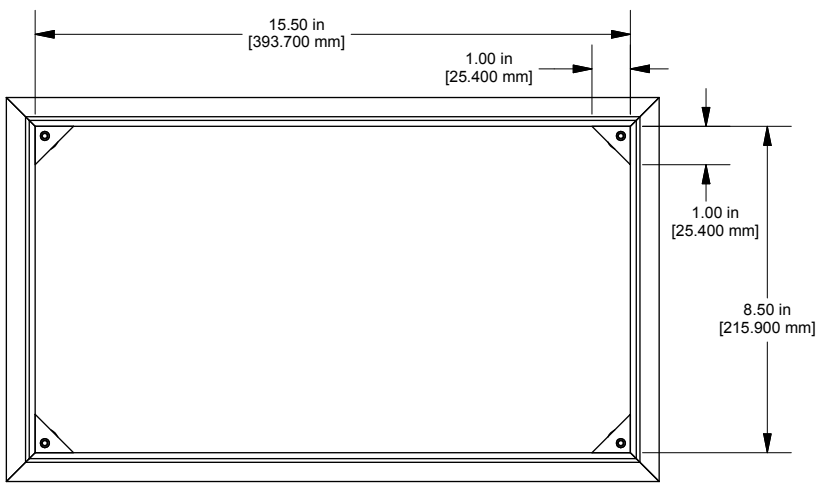
**SECTION A-A**



**Panel**



**BOTTOM PANEL  
SOLD SEPARATELY**



**Chassis Inside View**

NOTE	
Purchased Assembly Includes Solid Walnut Frame, Steel Or Aluminum Top Panel, Rubber Feet And 8 Assembly Screws. Bottom Panel Sold Separately	
PART NUMBERS	
WALNUT CHASSIS	
Assembled Chassis - 17" x 10"	CHASSIS17
ACCESSORIES	
FSPE628-507 8-32 INSERT	HWINSERT
#8-32 X 5/16 MS TRUSS PHIL 18-8	SC1440
HW CHASSIS RUBBER FT SET	SC1440-C
17" x 10" BOX PANEL STEEL (BLACK)	COM56813-1BK

Enclosures can be Factory Modified ( Milling, Drilling, Printing etc. )  
Solid models of this enclosure available in STEP or IGES.  
Contact Factory [mjm@hammondmfg.com](mailto:mjm@hammondmfg.com)

**HAMMOND  
MANUFACTURING™**

**HWCHAS1710BK**  
[www.hammondmfg.com](http://www.hammondmfg.com)