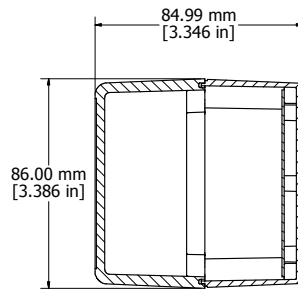
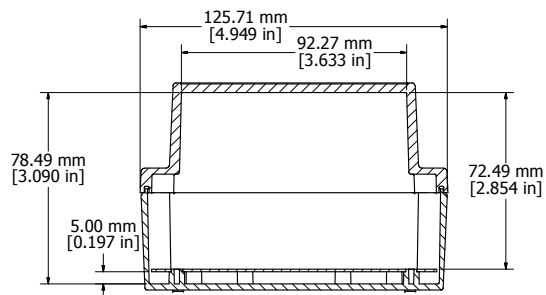
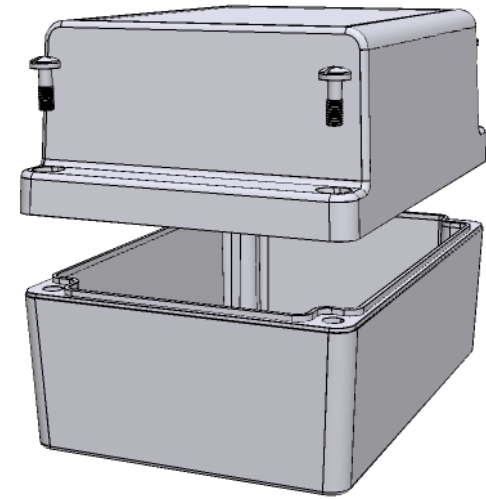


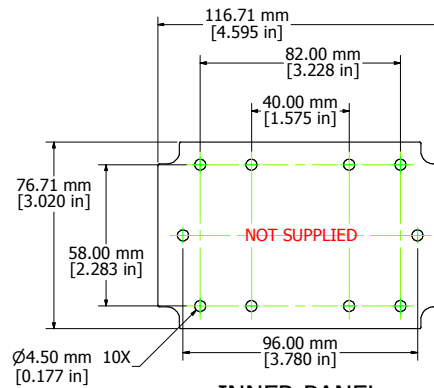
ASSEMBLY - TOP



SECTION A-A

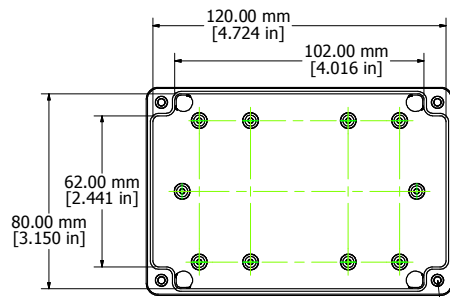


SECTION B-B



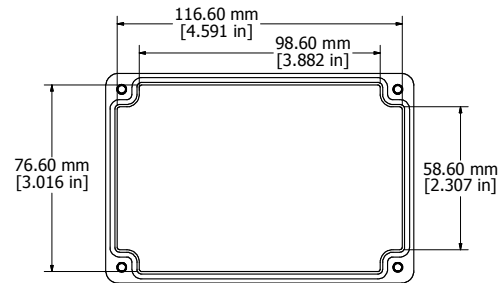
INNER PANEL

Enclosures can be Factory Modified (Milling, Drilling, Printing etc.)
 Contact Factory mjm@hammondmfg.com for quotes
 Solid models of this enclosure available in STEP or IGES.



BOX - INSIDE

M3.5 Stainless Steel Lid Inserts
 Type 304 Stainless 4X



LID - INSIDE

RP1150
Material: Polycarbonate (UL94-HB), Off-White color
Lid Screws: M3.5 x 10, 304 Stainless
Gasket: EDPM Cord.
Circuit Board Screws, 4 Supplied (M3 self tap)
Suggested Lid Screw Torque: 30 ozf-in (21 cN-m)



**HAMMOND
 MANUFACTURING™**

RP1150

www.hammondmfg.com