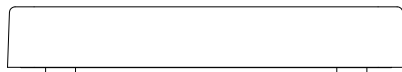
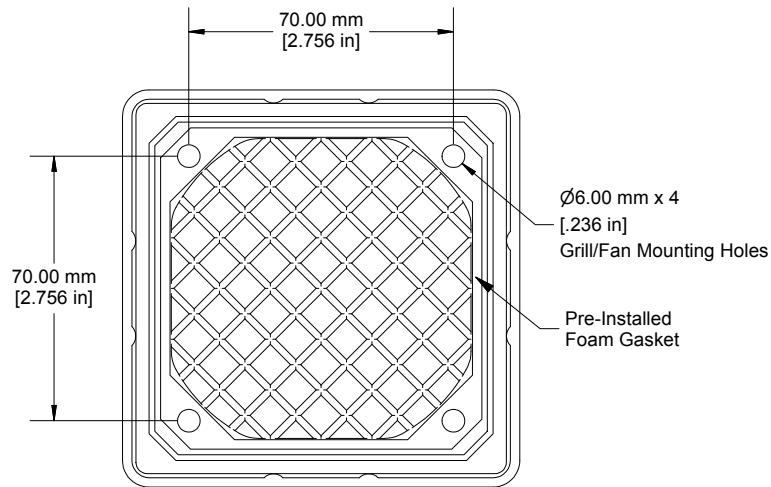


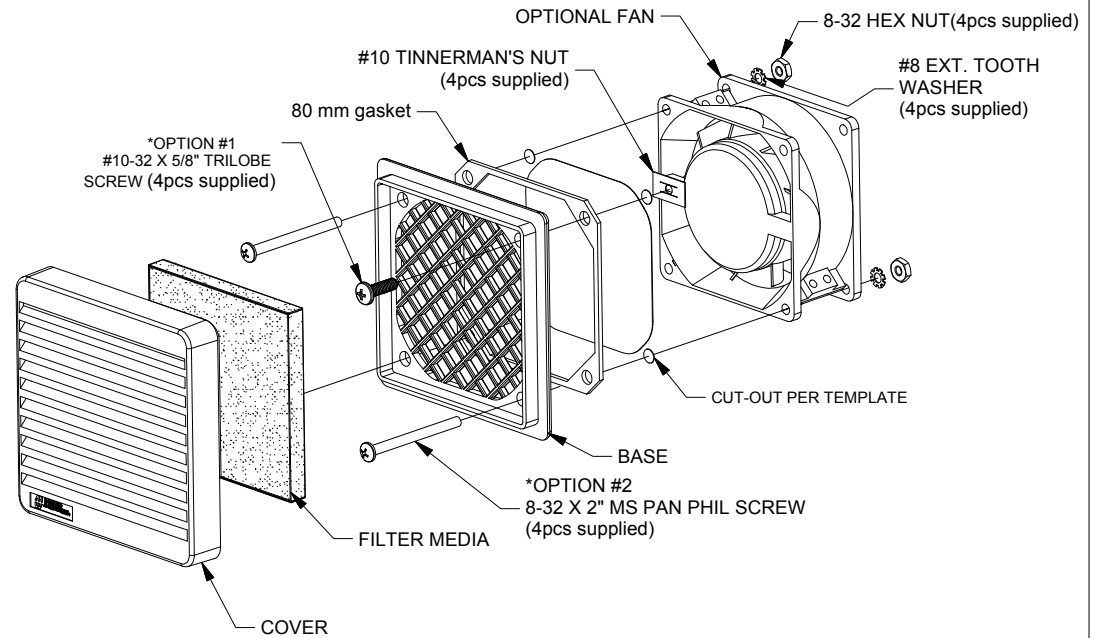
**Front View of Assembly**



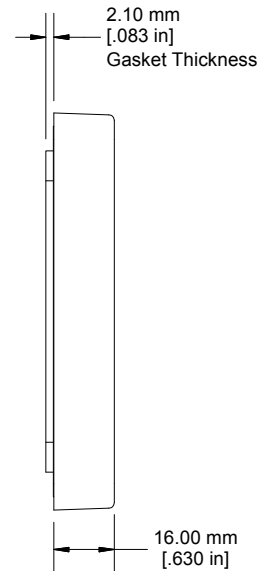
**Bottom View of Assembly**



**Rear View of Assembly**



**Side View of Assembly**



NOTE	
Purchased assembly includes snap-together Cover and Base (FRABS UL94-V0), foam EVA gasket, stainless steel mounting hardware, filter media and installation template.	
PART NUMBERS	
XPFA80 Filter Fan Grill	
Black	XPFA80BK
Beige - RAL7032	XPFA80CG
Gray - ANSI 61	XPFA80GY
Light Gray - RAL7035	XPFA80LG
Accessories	
Standard Filter Media (Pkg of 5)	PFF1000
Pleated Filter Media (Pkg of 5)	PLFF1000

\* HARDWARE OPTIONS:  
 - #10-32 X 5/8" TRILOBE SCREW WILL SELF-TAP INTO HOLES ON OPTIONAL FAN, OR CAN BE USED WITH #10 TINNEMAN'S NUT WITH GRILL ONLY.  
 - 8-32 X 2" SCREW TO BE USED WITH OPTIONAL FAN.

**HAMMOND  
MANUFACTURING™**

**XPFA80**

www.hammondmfg.com

