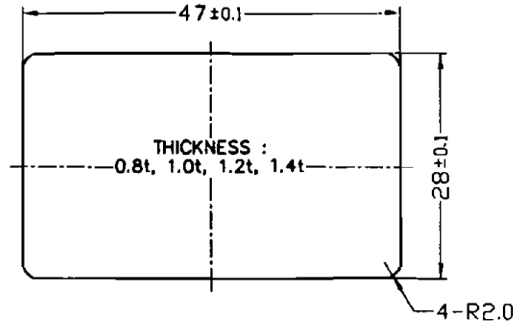
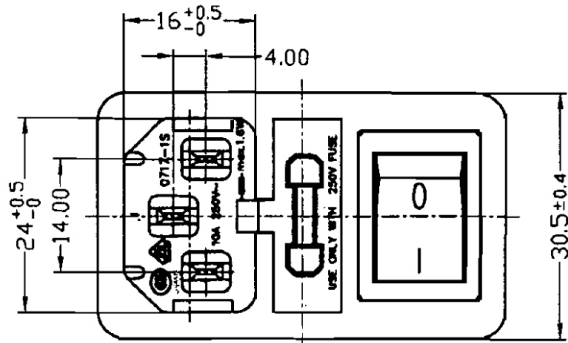
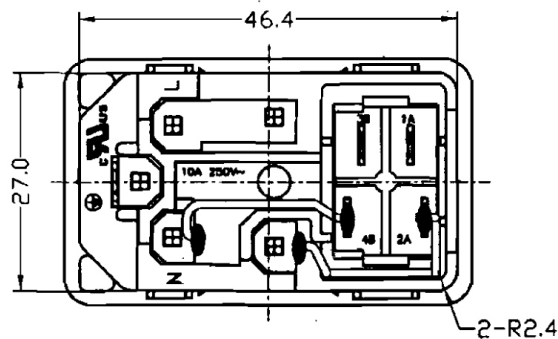
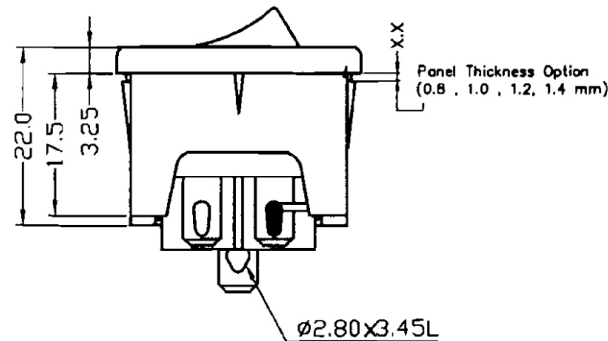
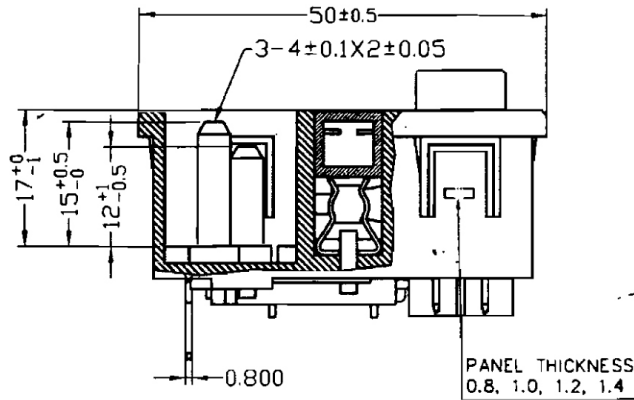


客
戶
用
圖



PANEL CUT-OUT



SPECIFICATION

A: MATERIAL:

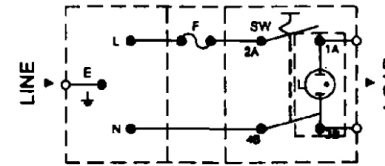
1. HOUSING: PC, UL 94V-0
2. TERMINAL: COPPER ALLOY, TIN PLATED

B: CHARACTERISTICS:

1. RATING: 10A 250V~ EUROPE
10A 250V~ NORTH AMERICA
2. INSULATION RESISTANCE : 100MΩ MIN, AT 500V DC
3. ELECTRIC STRENGTH: AC 2000V FOR ONE MINUTE
4. FUSE: Ø5X20mm

C: APPROVALS: UL, CUL, VDE, & CCC

D: EQUIVALENT CIRCUIT



E: ORDERING INFORMATION:

	P/N	PANEL THICKNESS	SOCKET'S TERMINAL	SWITCH'S TERMINAL
0717-1S-PQXXM-A (illuminated)	0717-1S-PQ10M-A	1.0 mm		

CONRAD electronic SE

CE-Art.Nr. 501638

Wippschalter, rot beleuchtet 230Vac mit [O -] -Bedruckung
"EIN"-Stellung wird mittels Leuchte angezeigt!

Rocker-Switch, red illuminated 230Vac, marking [O -]
Illuminated in "ON"-Position!

REV	DATE	DOCUMENT	DESCRIPTION
E			
D			
C			
B			
A			

TOLERANCE UNLESS OTHERWISE MARKED DIMENSION: .000 : ±0.1 .00 : ±0.2 .0 : ±0.3		PART NO.: 0717-1S		NAME: AC INLET 3P WITH SWITCH & FUSE HOLDER (SNAP-IN)	
ANGULAR: ±3°		MATERIAL: SEE ABOVE		SPEC.: IEC 60320-1, C14 IEC 60127-6	
A		APPROVED	CHECKED	DESIGNER	NOTE:
4					
UNIT: mm		SCALE: 1:1		SHEET: 1 of 1	
				DOC.# S717-0005	