

FERRITES

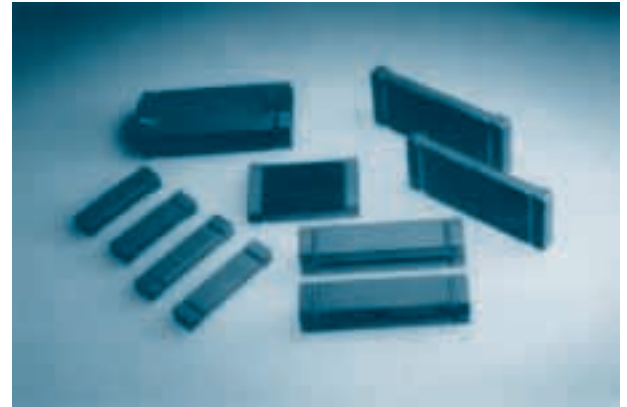
RIBBON CABLE SPLIT CORES (RFP)

FEATURES

This family of split suppression cores is used to attenuate irradiated or conducted EMI noises on ribbon cables.

Material: A5.

For performance and mechanical data on these parts please refer to the typical data.



Dimensions in mm.

| Part Number | Dimensions | | | | | Impedance | |
|---------------|------------|-------|-------|------|------|-----------|--------|
| | A | B | C | D | E | 25Mhz | 100Mhz |
| RFP1-20-10-A5 | 38.00 | 26.60 | 10.00 | 6.35 | 0.80 | 45 | 107 |
| RFP1-20-25-A5 | 38.00 | 26.60 | 25.40 | 6.35 | 0.80 | 105 | 175 |
| RFP1-26-10-A5 | 45.00 | 34.40 | 10.00 | 6.35 | 0.80 | 41 | 98 |
| RFP1-26-28-A5 | 45.00 | 34.40 | 28.50 | 6.35 | 0.80 | 102 | 189 |
| RFP1-34-28-A5 | 55.10 | 43.70 | 28.50 | 6.35 | 0.80 | 80 | 181 |
| RFP1-40-13-A5 | 63.50 | 52.00 | 13.00 | 6.35 | 0.80 | 45 | 114 |
| RFP1-40-15-A5 | 63.50 | 52.00 | 15.00 | 6.35 | 0.80 | 50 | 124 |
| RFP1-40-28-A5 | 63.50 | 52.00 | 28.50 | 6.35 | 0.80 | 77 | 172 |
| RFP1-50-28-A5 | 76.20 | 65.30 | 28.50 | 6.35 | 0.80 | 70 | 198 |
| RFP2-10-10-A5 | 16.50 | 12.50 | 10.25 | 2.00 | 0.60 | 31 | 75 |
| RFP2-20-12-A5 | 32.00 | 27.00 | 12.00 | 2.10 | 0.40 | 30 | 87 |
| RFP3-16-12-A5 | 25.00 | 1.00 | 10.25 | 2.80 | 1.10 | 28 | 90 |

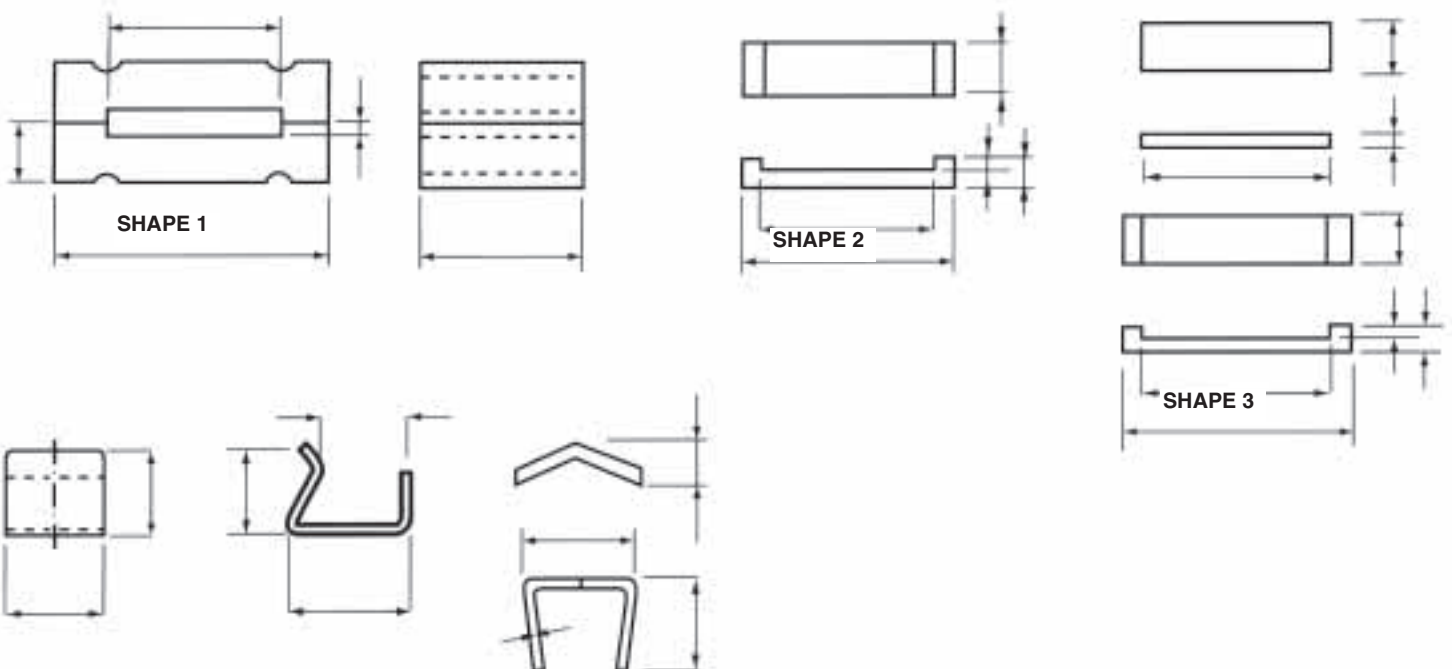
ORDERING CODE

RFP - 1 - 26 - 28 - A5
(1) (2) (3) (4) (5)

- (1) PART NO.
- (2) SHAPE
- (3) RIBBON CONDUCTOR NO.
(PITCH 1.27mm)
- (4) C DIM.
- (5) MATERIAL
- (6) LOCKING CLAMP: M=RMC-01
LOCKING SPRING: S=RMS-01

Other sizes are available upon request

Impedance figures are typical values.

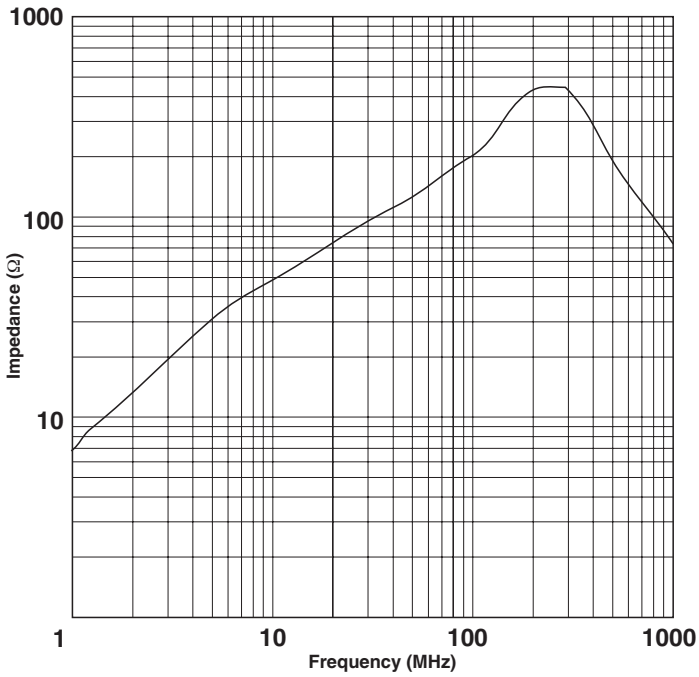


FERRITES

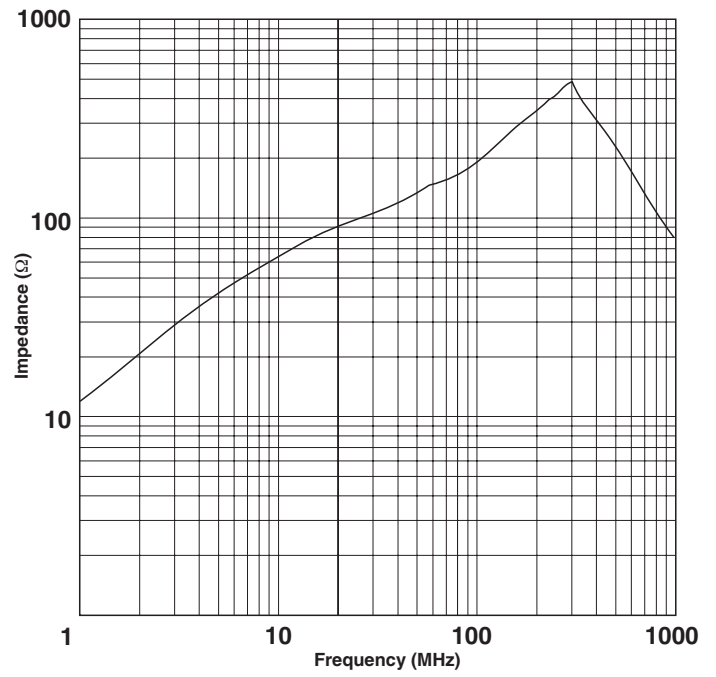
RIBBON CABLE SPLIT CORES (RFP)

TYPICAL DATA

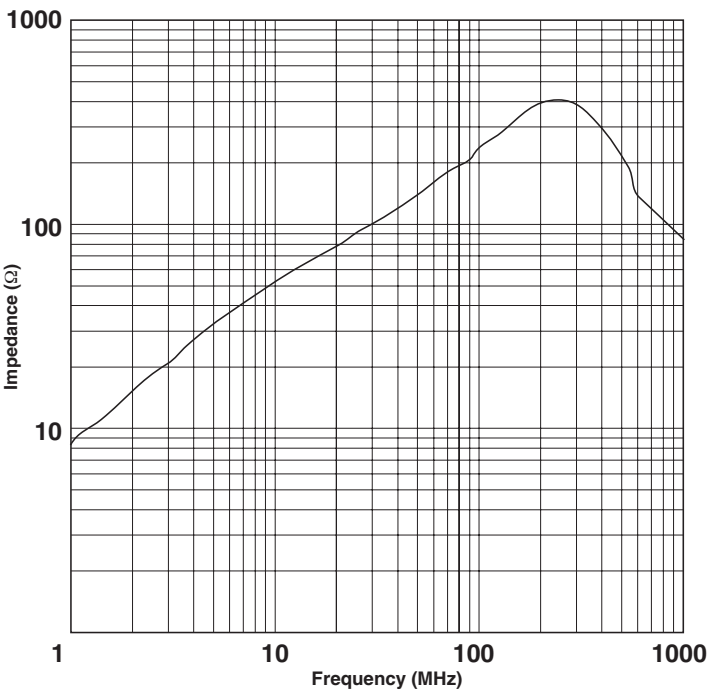
RFP1-20-25



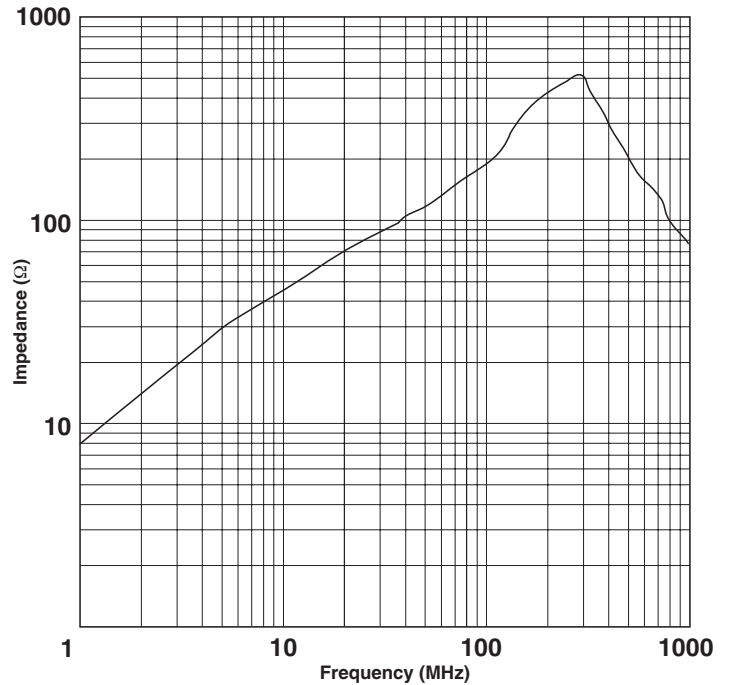
RFP1-26-28



RFP1-34-28



RFP1-40-28



All dimensions shown are standard.
However, other variations can be made
upon individual customer request.