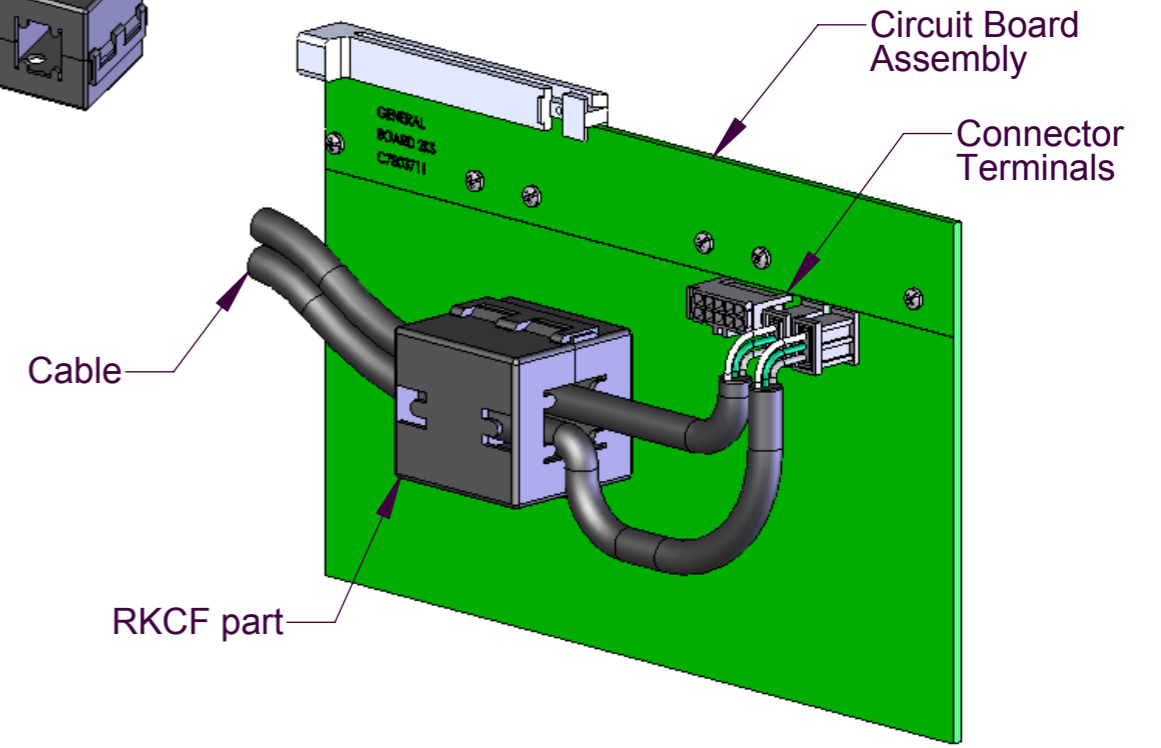
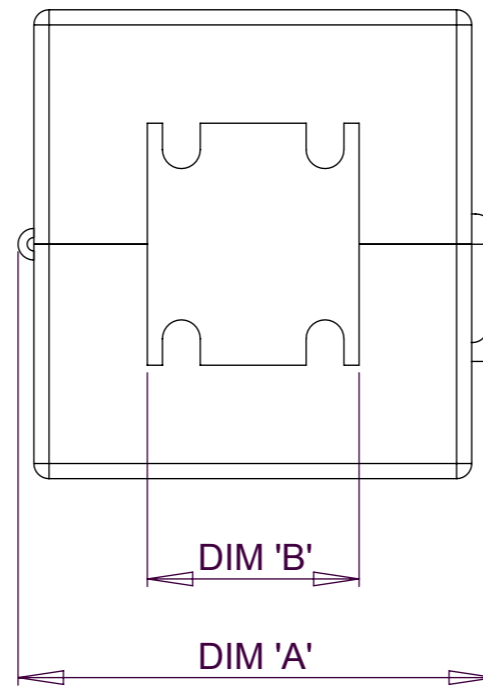
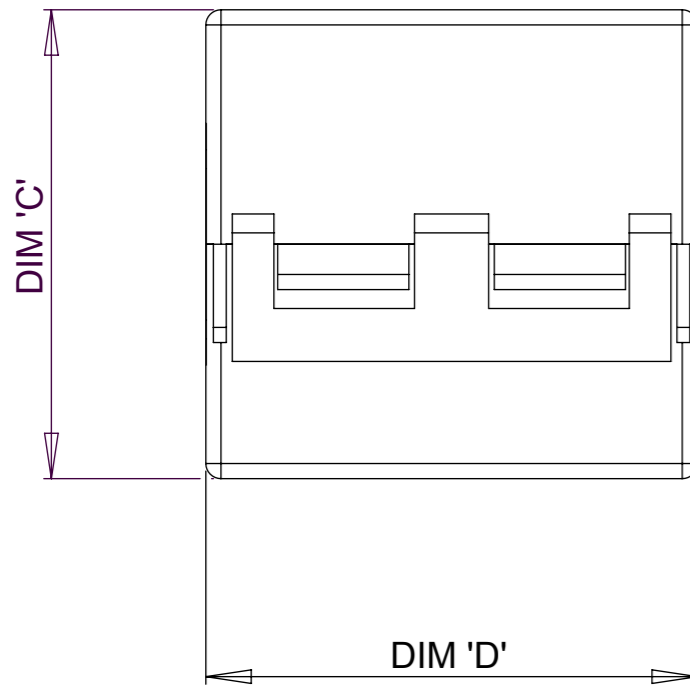
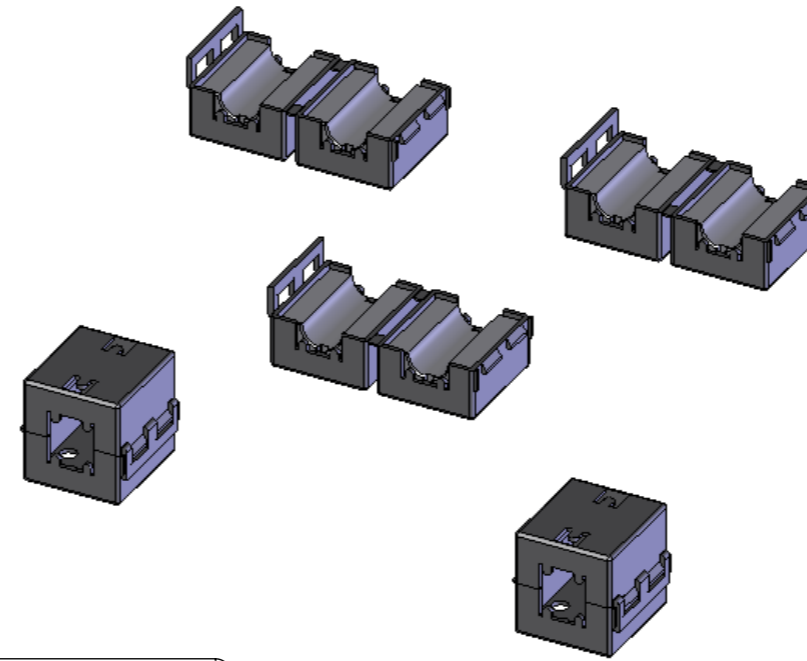


REV.	MODIFICATION.	DATE	DRN
01	NEW DRAWING	30/05/06	NJB

- NOTES.
- 1) See drawing 05-125 sheet 2 of 2 for Impedance graphs.
 - 2) Impedance figures are typical values.
 - 3) Other sizes available by special order.
 - 4) Packaging information is only a guide & subject to variation.



Application View

Ferrite Mat'l: **A5** • Casing Mat'l: Black Flame Ret. Nylon 6/6, RMS-244

RKCF	A (mm)	B (mm)	C (mm)	D (mm)	Impedance (Ω)		Applicable Cable Max. (mm)	Standard Pack (Pieces)
					25MHz	100MHz		
RKCF-05-A5	15.00±1.00	6.00±1.00	14.00±1.00	23.00±1.00	105	170	5	70
RKCF-06-A5	20.50±1.00	7.50±1.00	20.00±1.00	33.00±1.00	180	275	6.5	56
RKCF-08-A5	20.50±1.00	7.50±1.00	20.00±1.00	33.00±1.00	130	260	8	56
RKCF-10-A5	25.50±1.00	11.50±1.00	23.50±1.00	32.50±1.00	130	240	10	48
RKCF-13-A5	31.50±1.00	14.00±1.00	31.00±1.00	32.50±1.00	150	250	13	32

Standard Pack sizes may vary

INFORMATION CONTAINED IN THIS DOCUMENT IS CONFIDENTIAL TO RICHCO INTERNATIONAL Co. Ltd. AND MAY NOT BE DISCLOSED OR REPRODUCED IN WHOLE OR PART WITHOUT THEIR WRITTEN CONSENT.



ALL DIMENSIONS IN MM
GENERAL TOLERANCES ±0.25
UNLESS OTHERWISE STATED
1 DECIMAL PLACE ±
2 DECIMAL PLACES ±
ANGULAR ±1°

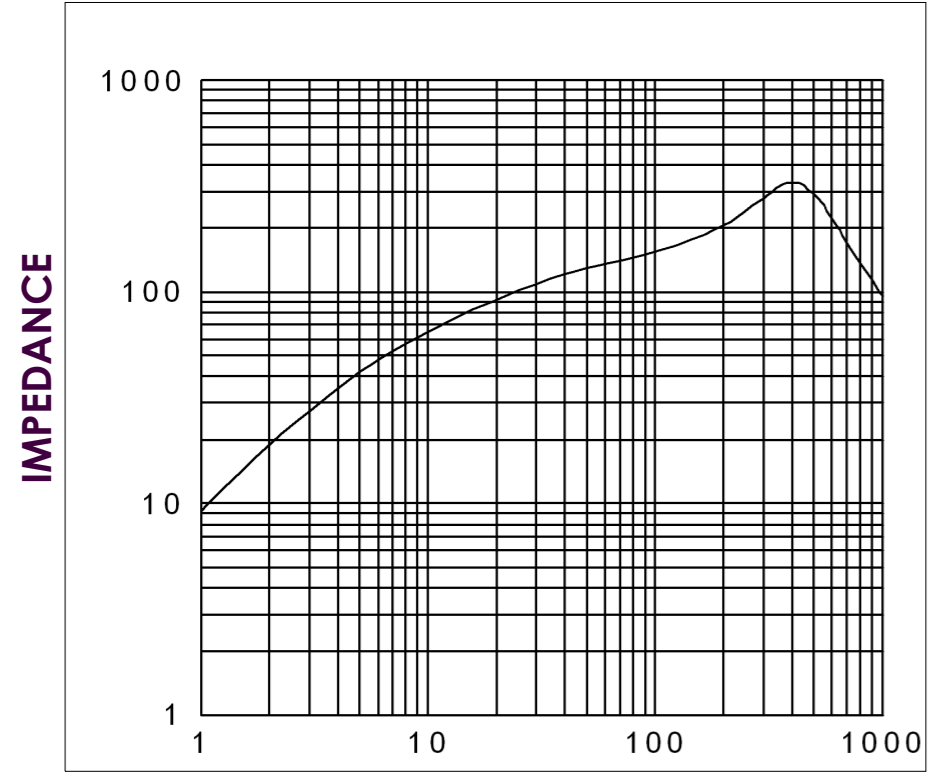
THIRD ANGLE



MATERIAL: See Table				COLOUR: See Table	
DESCRIPTION: RKCF Split Ferrite Cores With Plastic Casing				PART No: See Table	
DRG No: 05-125		NPR No:		Mass:(g)	SHEET SIZE A3
DRN NJB	DATE 30/05/06	CHKD AS	DATE 30/05/06	SCALE NTS	SHEET No. 1 OF 2

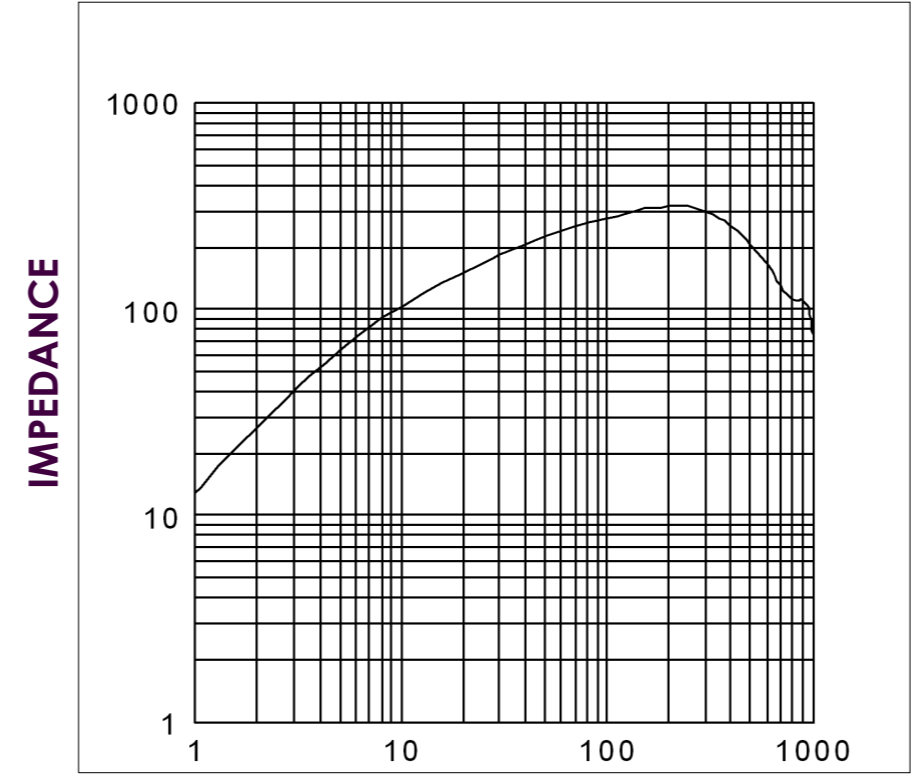
REV.	MODIFICATION.	DATE	DRN
01	NEW DRAWING	30/05/06	NJB

RKCF-05-A5



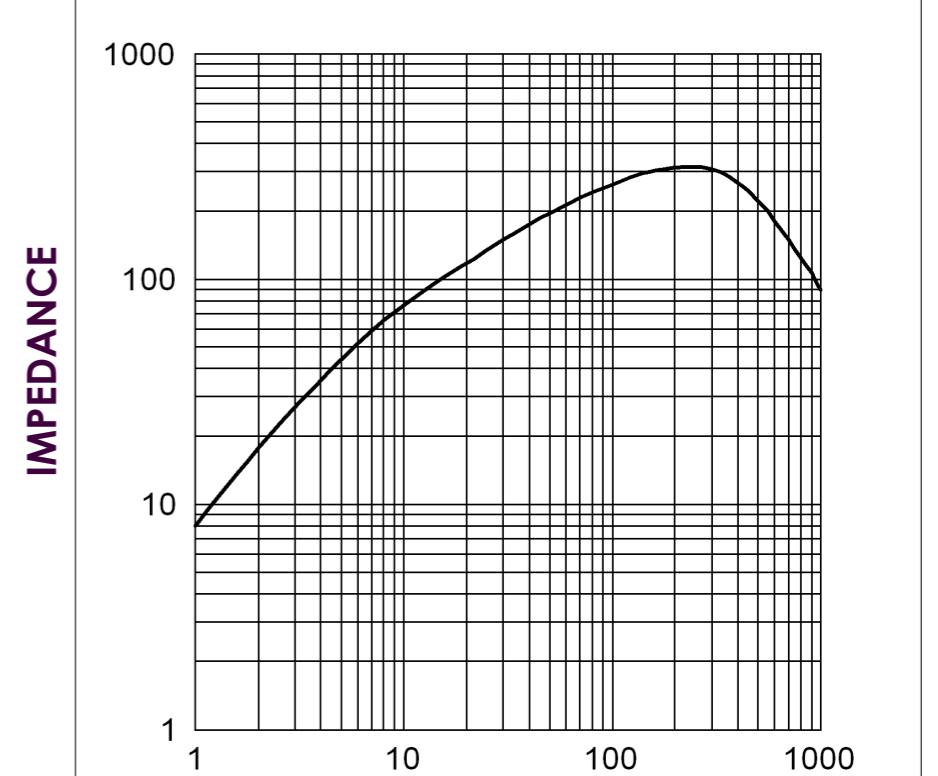
FREQ (MHz)

RKCF-06-A5



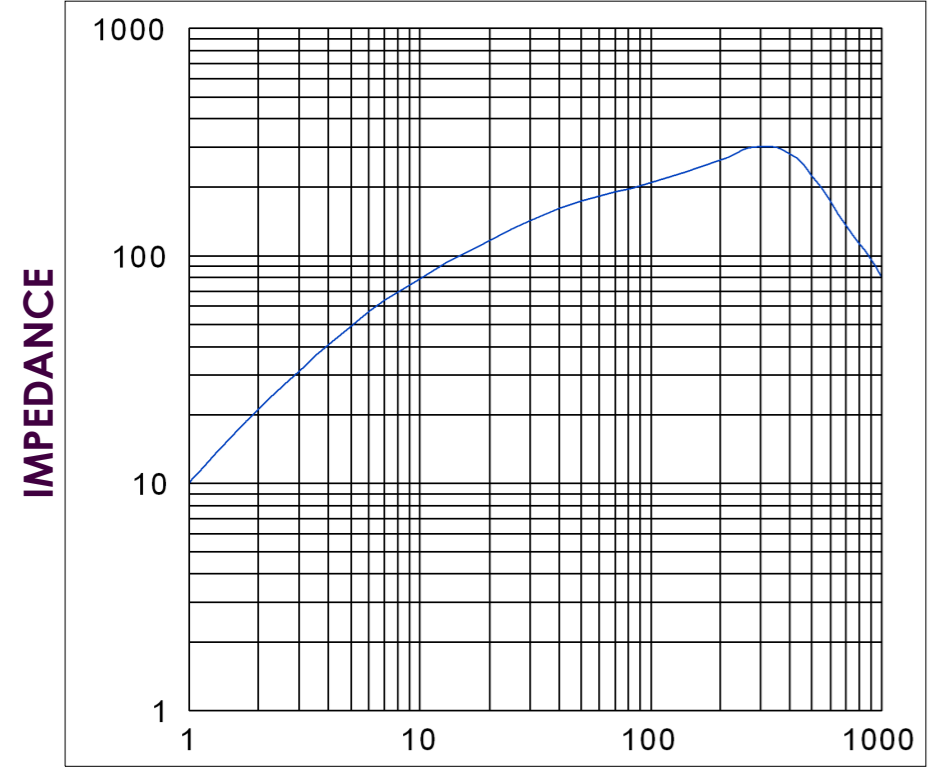
FREQ (MHz)

RKCF-08-A5



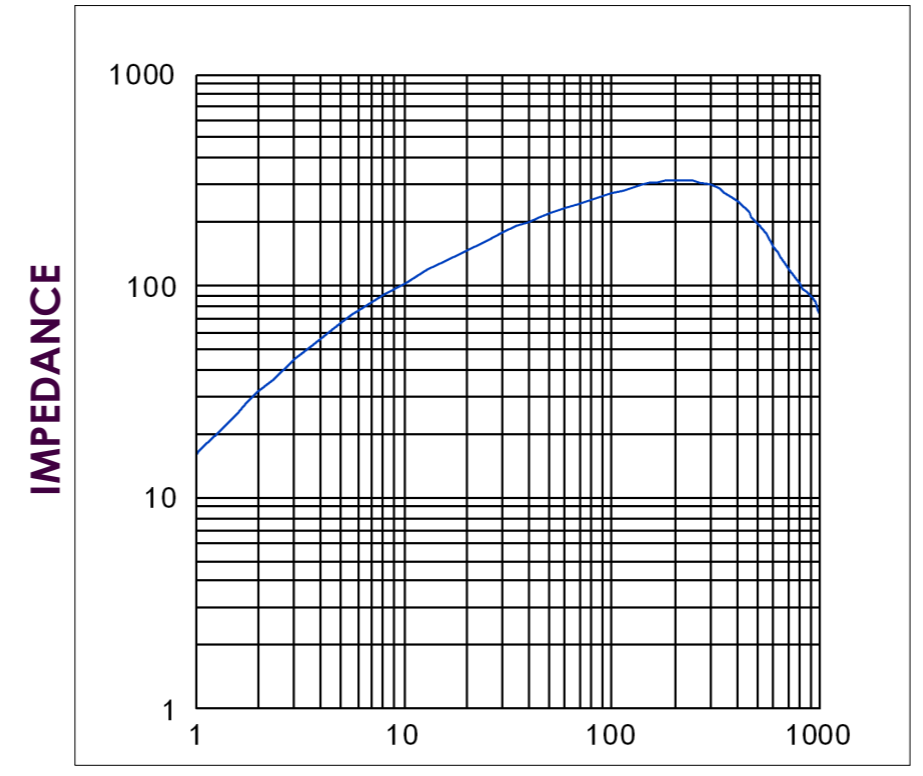
FREQ (MHz)

RKCF-10-A5



FREQ (MHz)

RKCF-13-A5



FREQ (MHz)

NOTES.
1) Impedance figures are typical values.

INFORMATION CONTAINED IN THIS DOCUMENT IS CONFIDENTIAL TO RICHCO INTERNATIONAL Co. Ltd. AND MAY NOT BE DISCLOSED OR REPRODUCED IN WHOLE OR PART WITHOUT THEIR WRITTEN CONSENT.



DESCRIPTION:
RKCF Split Ferrite Cores With Plastic Casing, Impedance Graphs.

DRG No: 05-125		SHEET SIZE A3	
DRN NJB	DATE 30/05/06	CHKD AS	DATE 30/05/06
SCALE NTS	SHEET No. 2 OF 2		